

For **WATERPROOFED ROOFS OR EXISTING UPSTANDS**

# PYRODÔME®

**NF**  
NF 537  
Actuated safety devices (DAS)  
Control devices (DC)

**CE**  
EN 12101-2  
EN 1873 + A1: 2016

## Évolution Treuil

**VERSION** 



### Types of filling

#### THERMIK' RANGE:

- PCA 16
- PCA 16+ Lumira\*
- PCA 32
- PCA 32+ Lumira\*
- PMMA triple dome
- Acoustik' Light



### Upstand

- Straight upstand
- 1.2 mm galvanised steel

#### THERMIK' RANGE:

- Height 360 mm with a 30 mm bituminous insulating coating



### Control

- Manual opening/closing
- Built-in and offset mechanism for 100x100 cm and 120x120 cm roof opening dimensions

The PYRODÔME® ÉVOLUTION TREUIL is an NSHEV intended primarily for smoke and heat exhaust applications. It is suitable for use on waterproofed flat roofs on all types of buildings (including public facilities, work premises and industrial buildings).



Also available:



## OPTIONS



### Types of filling

- Opal PCA 16 IR
- Grey PCA 16
- Transparent PCA 16
- Insulated aluminium cover
- Solid PC triple dome



### Control

- Limit switch



### Upstand

- Upstand height: 410 mm or more
- Lacquered interior (standard RAL colours)
- Colaminated sheet steel top for PVC waterproofing
- Galvanised sheet steel top for PVC waterproofing
- Bare insulation for PVC waterproofing
- With or without wind baffles (AD/SD)
- Skewed upstand



### Other information

- 6 mm round bar or 16x16 mm 1200 joule square tube grid, galvanised or lacquered in standard RAL
- Anti-sawing burglar-resistant grid (16x16 mm + R10 tube assembly), galvanised or lacquered in standard RAL
- 16x16 mm security bars on opening system
- Ladder attachment bar, lacquered grey
- Support crosspiece, lacquered grey



• Support crosspiece, RAL 9006

• Ladder attachment bar, RAL 9006

### Capping upstand

See page 8 for details.

### Available versions



[www.skydome.eu](http://www.skydome.eu)

**SKYDÔME®**

## Dimensions & aeraulic performance

Roof opening dimensions A x B (cm)		Overall heel dimensions C x D (cm)		Height H* (cm)				Light surface (m <sup>2</sup> )	E (cm)	Product weight (kg)			
Straight upstand	Skewed XL upstand	Straight upstand	Skewed XL upstand	Straight upstand		Skewed XL upstand				Straight upstand		Skewed XL upstand	
				PCA	DD	PCA	DD			PCA	DD	PCA	DD
100 x 100	114 x 114	118 x 118	132 x 132	37	56	37	56	1.00	165	63	69	67	73
120 x 120	134 x 134	138 x 138	152 x 152	37	59	37	59	1.44	186	76	86	81	90
140 x 140	154 x 154	158 x 158	172 x 172	37	62	37	62	1.96	207	90	103	95	109
150 x 150	164 x 164	168 x 168	182 x 182	37	64	37	64	2.25	228	96	112	102	118
160 x 160	174 x 174	178 x 178	192 x 192	37	65	37	65	2.56	240	103	122	109	128
100 x 150	114 x 164	118 x 168	132 x 182	39	68	39	68	1.50	165	116	-	123	-
100 x 200	114 x 214	138 x 218	132 x 232	39	73	39	73	2.00	165	129	-	137	-
120 x 200	134 x 214	138 x 218	152 x 232	37	56	37	56	2.40	186	76	86	81	91
140 x 200	154 x 214	158 x 218	172 x 232	39	56	39	56	2.80	207	90	104	96	110

Contact us for other dimensions.  
\* For an upstand height of 360 mm

## Filling performance

Other filling and filling options: see "Filling" data sheet

Type of filling	Thermal transmittance factor Ug (W/ m <sup>2</sup> .K)	LT D65 <sup>(2)</sup>	SF or g <sup>(2)</sup>	Reaction to fire	R <sub>w</sub> (dB) <sup>(3)</sup>	
	U <sub>hor</sub> <sup>(1)</sup>					
PCA	Opal multi-wall PCA 16	1.9	45%	46%	B-s1-d0	R <sub>w</sub> =21 dB
	Transparent PCA 16 with Lumira™ aerogel	1.5	67%	67%	B-s1-d0	R <sub>w</sub> =21 dB
	Opal multi-wall PCA 20	1.6	54 %	47%	B-s2-d0	R <sub>w</sub> =21 dB
	Transparent multi-wall PCA 32	1.3	33%	49%	B-s2-d0	ND
	Transparent PCA 32 with 50% Lumira™ aerogel	0.97	43%	45%	ND	ND
Cover	40 mm aluminium cover	0.85	0%	ND	ND	ND
Acoustik' Light	Acoustik' Light Transparent PCA 10 & transparent PCA 6	2.1	ND	ND	ND	R <sub>w</sub> =27 dB

<sup>(1)</sup>As per §2.31 of the Th-Bat regulations.

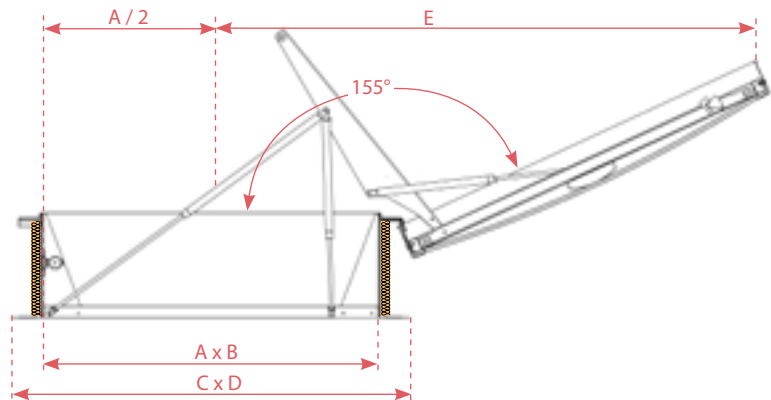
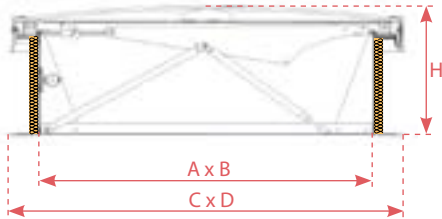
<sup>(2)</sup> Light transmittance LT D65 and solar transmittance SF (TST or g) as per EN 410.

<sup>(3)</sup> Filling insulated against airborne noise R<sub>w</sub>, pink noise R<sub>p</sub> (environment, airport and industrial activities) and road noise R<sub>A,T</sub>, laboratory-measured according to NF EN ISO 140.

## Technical diagrams

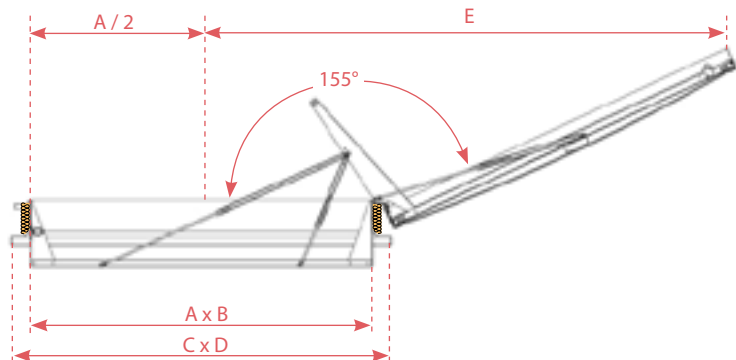
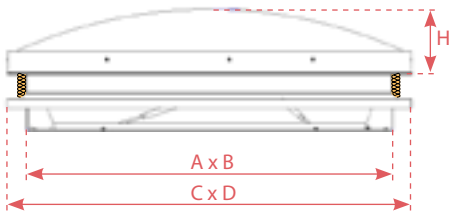
### THERMIK' range

#### PYRODÔME ÉVOLUTION TREUIL PCA



### THERMIK' range capping upstand

#### PYRODÔME ÉVOLUTION TREUIL PCA



#### PERFORMANCE

- Exhaust ventilator opening: type B (open + close)
- Reliability: Re 300
- Low ambient temperature: T(0°C)
- Resistance to heat: B<sub>300</sub>
- Thermo-fuse set temperature: 90°C as standard
- Resistance to wind load: WL1500
- Opening under load: SL250 or SL500 depending on filling

#### COMPLIANCE & INSTALLATION

CE certified NSHEV compliant with **NF EN 12101-2. (Product certification No. 0333 CPR 219016)**

The product must be fastened and sealed in accordance with the requirements defined in the applicable DTU specifications (series 40 and 43).

Maximum insulation height: as per the DTUs, the sealing flashing must extend to a height of at least 150 mm.

The waterproofing complex (substrate, vapour barrier, insulation and two-layer sealant) must be no thicker than 190 mm for an interior upstand height of 360 mm, or 240 mm for an upstand height of 410 mm.

Maximum permissible slope: 25° or 46% (see installation instructions).

Only the security bar option provides guaranteed 1200 joule protection.

**DoP available at [www.skydome.eu](http://www.skydome.eu)**

## Trade name

Trade name	Filling	Upstand insulation
PYRODÔME ÉVOLUTION TREUIL	THERMIK' 16	16 mm PCA(Opal PCA)
	THERMIK' 16+	16 mm PCA with LUMIRA (Transparent PCA)
	THERMIK' 20	20 mm PCA (Opal PCA)
	THERMIK' 32	32 mm PCA (Transparent PCA)
	THERMIK' 32+	16 mm PCA + 16 mm PCA with LUMIRA (Transparent PCA)
	THERMIK' 3xD	Triple dome Opal upper dome + transparent interior dome + transparent lower dome
	THERMIK' 40 OPAQUE	40 mm aluminium cover
	THERMIK' ACOUSTIK' LIGHT	10 mm PCA + 6 mm solid PC

Upstand height: 360 mm  
Insulation:  
• on vertical part of upstand  
• on upstand lip

## Air permeability and light surface\*

Roof opening dimensions A x B (cm)	Air flow (m <sup>3</sup> /h) - Class AP06 <sup>(1)</sup>		ELS <sup>(2)</sup> (m <sup>2</sup> )			
	Less than 4 Pa	Less than 50 Pa	Straight upstand		Skewed XL upstand	
			Height 360 mm	Height 410 mm	Height 360 mm	Height 410 mm
100 x 100	0.12	0.76	0.36	0.35	0.37	0.36
120 x 120	0.14	0.92	0.54	0.52	0.55	0.54
140 x 140	0.17	1.07	0.75	0.73	0.77	0.75
150 x 150	0.18	1.15	0.86	0.85	0.89	0.87
160 x 160	0.19	1.22	0.99	0.98	1.02	1.00
100 x 150	0.15	0.96	0.56	0.55	0.57	0.56
100 x 200	0.18	1.15	0.76	0.74	0.78	0.76
120 x 200	0.19	1.22	0.92	0.91	0.95	0.93
140 x 200	0.20	1.30	1.09	1.07	1.12	1.10

<sup>(1)</sup> Air permeability tests carried out at the CSTC test centre as per NF EN 1873 protocols (with reference to the standards NF EN 12152 and NF EN 12153).

<sup>(2)</sup> Effective light surface calculated with white lacquered upstand and PCA 16 filling

\* For maximum possible performance, contact us.

## Control system

We supply versatile installation kits for controlling the PYRODÔME® ÉVOLUTION TREUIL and PYRODÔME® ÉVOLUTION TREUIL CAPPING UPSTAND. These easy-to-use kits combine a core kit with a range of (mechanical, pneumatic or electrical) satellite kits. See the *Installation Kits* datasheet for a full list of our kits.

## Acoustic performance

	PCA 16	PCA 16+	PCA 20	PCA 32	PCA 32 & dome	PCA 32+	PCA 32+ & dome	Opaque 40 mm aluminium cover	Triple dome	Acoustik' Light
Acoustic attenuation $R_w (C; C_{tr})$ (dB)	17(-2;2)	19(0;-1)	ND	20(-2;-1)	25(-1; -3)	21(0;0)	26(-1; -3)	23(-1;-3)	20(0; -2)	25(-1; -1)
Rain-generated sound intensity $L_{ia}$ (dB)	77	74	ND	75	63	72	61	63	63	66

$R_w$  = acoustic attenuation index laboratory-measured according to EN410 (airborne noise)  
 $R_p = R_w + C$  = "pink noise" attenuation index  
 $R_{A,r} = R_w + C_v$  = "road noise" attenuation index

## Maximum permissible snow loads SL (Pa)

Roof opening (cm)	Opening pressure							
	PCA 16 / PCA 16+		PCA 32 / PCA 32+ / 40 mm cover		PCA 32 & dome		PCA 32+ & dome / Triple dome / Acoustik' Light	
	SL 250	SL 500	SL 250	SL 500	SL 250	SL 500	SL 250	SL 500
100 x 100								
120 x 120								
140 x 140								
150 x 150								
160 x 160								
100 x 150								
100 x 200								
120 x 200								
140 x 200								

Centred crosspiece

Centred or offset crosspiece (as required)

## Dimensions & aeraulic performance

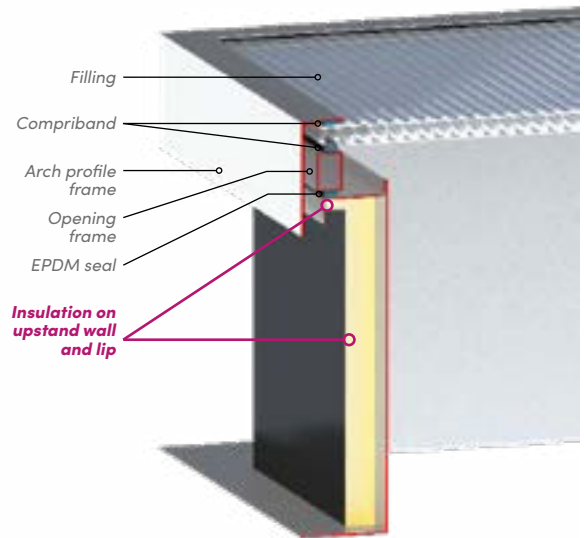
Roof opening dimensions A x B (cm)		PYDODÔME ÉVOLUTION TREUIL			PYDODÔME ÉVOLUTION TREUIL XL		
		$A_v (m^2)$	$A_a (m^2)$		$A_v (m^2)$	$A_a (m^2)$	
			SD	AD		SD	AD
Straight upstand	Skewed XL upstand						
100 x 100	114 x 114	1.00	0.55	0.68	1.30	0.70	0.87
120 x 120	134 x 134	1.44	0.78	0.96	1.80	0.97	1.20
140 x 140	154 x 154	1.96	1.04	1.28	2.37	1.27	1.60
150 x 150	164 x 164	2.25	1.18	1.45	2.69	1.43	1.82
160 x 160	174 x 174	2.56	1.34	1.63	3.03	1.61	2.05
100 x 150	114 x 164	1.50	0.81	1.00	1.87	1.01	1.25
100 x 200	114 x 214	2.00	1.00	1.33	2.44	1.32	1.64
120 x 200	134 x 214	2.40	1.21	1.59	2.87	1.45	1.95
140 x 200	154 x 214	2.80	1.42	1.85	3.30	1.68	2.24

Contact us for other dimensions.  
 \* For an upstand height of 360 mm

**$U_{RC} : 1.6 \text{ W/m}^2.K^*$**

**ENHANCED THERMAL INSULATION:**

- ✓ WIDE RANGE OF FILLING OPTIONS
- ✓  $U_{RC} = 1.6 \text{ W/m}^2.K^*$
- ✓ Compliant with applicable DTU specifications



**Thermal performance:  $U_{RC}$  ( $\text{W/m}^2.K$ ) and  $A_{RC}$  ( $\text{m}^2$ )**

**PYRODÔME® ÉVOLUTION TREUIL**

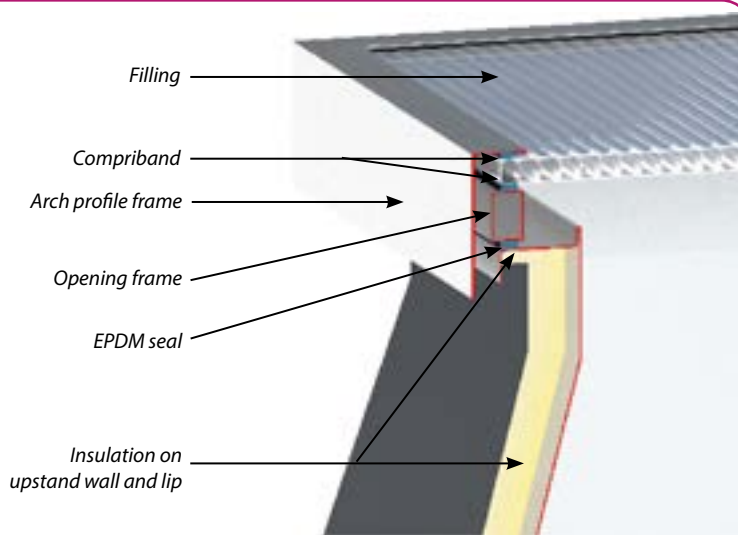
Dimensions (cm)	Upstand height: 360 mm									Upstand height: 410 mm										
	$U_{RC}$									$A_{RC}$	$U_{RC}$									$A_{RC}$
	Acoustik' Light	PCA 16	PCA 16+	PCA 20	PCA 32**	PCA 32+	Opaque 40 mm aluminium cover	Triple dome	Acoustik' Light		PCA 16	PCA 16+	PCA 20	PCA 32**	PCA 32+	Opaque 40 mm aluminium cover	Triple dome			
100 x 100	2.3	2.1	2	1.9	1.8	1.7	1.5	2.8	3.1	2.1	2.1	1.9	1.9	1.8	1.6	1.5	2.7	3.3		
120 x 120	2.3	2.1	2	1.9	1.8	1.6	1.5	2.8	3.8	2.1	2	1.9	1.9	1.8	1.5	1.5	2.7	4.1		
140 x 140	2.3	2.1	2	1.9	1.7	1.6	1.4	2.8	4.7	2.1	2	1.9	1.9	1.8	1.5	1.4	2.7	5.0		
150 x 150	2.3	2.1	2	1.8	1.7	1.6	1.4	2.8	5.2	2.1	2	1.9	1.9	1.8	1.5	1.4	2.7	5.5		
160 x 160	2.3	2.1	2	1.8	1.7	1.6	1.4	2.8	5.6	2.1	2	1.9	1.8	1.7	1.5	1.4	2.7	6.0		
100 x 150	2.3	2	2	1.9	1.8	1.6	1.4	2.8	4.0	2.1	2	1.9	1.9	1.8	1.5	1.5	2.7	4.2		
100 x 200	2.3	2.1	2	1.9	1.7	1.6	1.4	2.8	4.9	2.1	2	1.9	1.9	1.8	1.5	1.4	2.7	5.2		
120 x 200	2.3	2.1	2	1.8	1.7	1.6	1.4	2.8	5.5	2.1	2	1.9	1.9	1.8	1.5	1.4	2.7	5.8		
140x 200	2.3	2	2	1.8	1.7	1.5	1.4	2.8	6.0	2.1	2	1.9	1.8	1.7	1.5	1.4	2.7	6.4		

\* For a 160 x 160 cm unit with a 360 mm high upstand and PCA 32+ filling.  
 \*\* Adding a dome has no effect on the unit's thermal conductivity  $U_{RC}$ .

$U_{RC} = 1.5 \text{ W/m}^2.K^*$

**ENHANCED THERMAL INSULATION:**

- ✓ WIDE RANGE OF FILLING OPTIONS
- ✓  $U_{RC} = 1.5 \text{ W/m}^2.K^*$
- ✓ Compliant with applicable DTU specifications



**Thermal performance:  $U_{RC}$  (W/m<sup>2</sup>.K) and  $A_{RC}$  (m<sup>2</sup>)**

**PYRODÔME® ÉVOLUTION TREUIL XL**

Dimensions (cm)	Upstand height: 360 mm									Upstand height: 410 mm								
	$U_{RC}$								$A_{RC}$	$U_{RC}$								$A_{RC}$
	Acoustik' Light	PCA 16	PCA 16+	PCA 20	PCA 32**	PCA 32+	Opaque 40 mm aluminium cover	Triple dome		Acoustik' Light	PCA 16	PCA 16+	PCA 20	PCA 32**	PCA 32+	Opaque 40 mm aluminium cover	Triple dome	
100 x 100	2.2	2	1.9	1.9	1.8	1.6	1.6	2.5	3.2	2.1	2.1	1.9	1.9	1.8	1.6	1.5	2.7	3.4
120 x 120	2.2	2	1.9	1.9	1.7	1.6	1.5	2.5	3.9	2.1	2	1.9	1.9	1.8	1.5	1.5	2.7	4.2
140 x 140	2.2	2	1.9	1.9	1.7	1.5	1.5	2.6	4.8	2.1	2	1.9	1.9	1.8	1.5	1.4	2.7	5.1
150 x 150	2.2	2	1.8	1.9	1.7	1.5	1.5	2.6	5.2	2.1	2	1.9	1.9	1.8	1.5	1.4	2.7	5.6
160 x 160	2.2	2	1.8	1.8	1.7	1.5	1.4	2.6	5.7	2.1	2	1.9	1.8	1.7	1.5	1.4	2.7	6.1
100 x 150	2.2	2	1.9	1.9	1.7	1.6	1.5	2.5	4.1	2.1	2	1.9	1.9	1.8	1.5	1.5	2.7	4.4
100 x 200	2.2	2	1.9	1.9	1.7	1.5	1.5	2.6	5.0	2.1	2	1.9	1.9	1.8	1.5	1.4	2.7	5.3
120 x 200	2.2	2	1.8	1.9	1.7	1.5	1.5	2.6	5.6	2.1	2	1.9	1.9	1.8	1.5	1.4	2.7	5.9
140 x 200	2.2	2	1.8	1.8	1.7	1.5	1.4	2.6	6.1	2.1	2	1.9	1.8	1.7	1.5	1.4	2.7	6.5

\* For a 160 x 160 cm unit with a 360 mm high upstand and PCA 32+ filling.  
 \*\* Adding a dome has no effect on the unit's thermal conductivity  $U_{RC}$ .

## FOR RENOVATION AND COMPLIANCE WORKS

The PYRODÔME® ÉVOLUTION TREUILCAPPING UPSTAND is designed to fit any type of upstand, whether for compliance reasons or to change the NSHEV's purpose while retaining the existing upstand.



### Types of filling

#### THERMIK' RANGE:

- PCA 16
- PCA 16+ Lumira\*
- PCA 32
- PCA 32+ Lumira\*
- PMMA triple dome
- Acoustik' Light



### Upstand

- Insulated upstand with galvanised steel protection plate, 84 mm heel and 40 mm overlap
- 1.2 mm galvanised steel

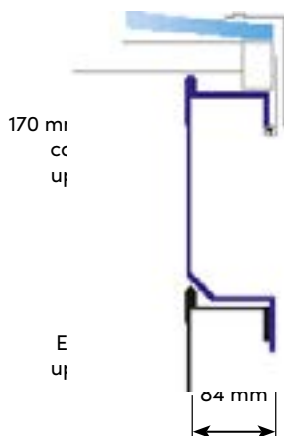
#### THERMIK' RANGE:

- Height 170 mm

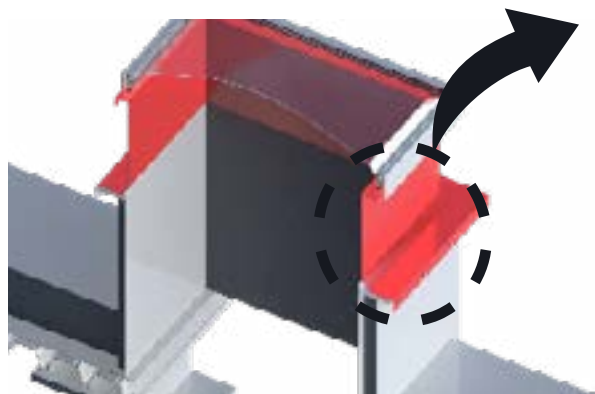


### Control

- Manual opening/closing
- Built-in and offset mechanism for 100x100 cm and 120x120 cm roof opening dimensions



## Installation diagram



## Options

Standard options list p.1

### Upstand

- Heel width on request for fitting to existing substrate
- Upstand height on request



## Dimensions & aeraulic performance

Roof opening dimensions A x B (cm)	Overall heel dimensions C x D (cm)	Height H* (cm)	Light surface (m <sup>2</sup> )	E (cm)	Product weight (kg)	Av (m <sup>2</sup> )	Aa (m <sup>2</sup> )	
							SD	AD
100 x 100	117 x 117	23	1.00	165	51	1.00	0.57	0.68
120 x 120	137 x 137	23	1.44	186	61	1.44	0.77	0.97
140 x 140	157 x 157	23	1.96	207	72	1.96	0.97	1.30
150 x 150	167 x 167	23	2.25	228	78	2.25	1.08	1.48
160 x 160	177 x 177	23	2.56	240	83	2.56	1.18	1.67
100 x 150	117 x 167	23	1.50	165	61	1.50	0.85	1.01
100 x 200	117 x 167	25	2.00	165	73	2.00	1.15	1.33
120 x 200	117 x 217	29	2.40	186	79	2.40	1.29	1.57
140 x 200	157 x 217	25	2.80	207	86	2.80	1.40	1.83

Contact us for other dimensions.  
\* For an upstand height of 170 mm

## Thermal performance: $U_{RC}$ (W/m<sup>2</sup>.K) and $A_{RC}$ (m<sup>2</sup>)

PYRODÔME® ÉVOLUTION TREUIL CAPPING UPSTAND									
Dimensions (cm)	Upstand height: 170 mm								
	$U_{RC}$								$A_{RC}$
	Acoustik' Light	PCA 16	PCA 16+	PCA 20	PCA 32**	PCA 32+	Opaque 40 mm aluminium cover	Triple dome	
100 x 100	3.2	3	2.8	2.7	2.4	2.3	2.3	3.7	2.3
120 x 120	3.1	2.9	2.7	2.6	2.3	2.3	2.1	3.6	2.9
140 x 140	3	2.9	2.6	2.5	2.2	2.2	2	3.6	3.6
150 x 150	3	2.8	2.6	2.5	2.2	2.1	2	3.5	4.0
160 x 160	2.9	2.8	2.5	2.4	2.2	2	1.9	3.5	4.4
100 x 150	3.1	2.9	2.7	2.6	2.3	2.2	2.1	3.6	3.0
100 x 200	3	2.9	2.6	2.5	2.3	2.1	2.1	3.6	3.7
120 x 200	3	2.8	2.5	2.5	2.2	2.1	2	3.5	4.2
140 x 200	2.9	2.8	2.5	2.4	2.1	2	1.9	3.5	4.7

\* Adding a dome has no effect on the unit's thermal conductivity  $U_{RC}$ .

---

## **SKYDÔME**

Entre Deux Villes  
02270 Sons-Et-Ronchères, France  
Tel: +33 (0)3 23 21 79 90  
Email: [info@skydome.eu](mailto:info@skydome.eu)  
[www.skydome.eu](http://www.skydome.eu)

For the product range in other countries, please contact your local representative or visit [www.skydome.eu](http://www.skydome.eu)

SKYDÔME reserves the right to modify product specifications without notice. The information and technical details contained in this documentation are provided in good faith and apply to the uses described. The recommendations for use must be checked to ensure they are appropriate and comply with the actual requirements, the specifications and all applicable legislation and regulations.

For other applications and conditions of use, please contact our technical team. Their advice must be sought concerning uses of our products that are not described specifically herein.

Click this link to check that you are seeing the most up-to-date and accurate information about our products:  
[https://www.skydome.eu/fr/produit/21\\_pyrodome-evolution-treuil.html](https://www.skydome.eu/fr/produit/21_pyrodome-evolution-treuil.html)

For **WATERPROOFED ROOFS OR EXISTING UPSTANDS**

# PYRODÔME®

## Évolution Treuil



NF 537  
Actuated safety devices (DAS)  
Control devices (DC)



EN 12101-2  
EN 1873 + A1: 2016



## VERSION



### Filling

#### ORIGIN' RANGE:

- Opal PCA 10



### Upstand

- Straight upstand
- 1.2 mm galvanised steel

#### ORIGIN' RANGE:

- Height 310 mm with a 15 mm bituminous insulating coating



### Control

- Manual opening/closing
- Built-in and offset mechanism for 100x100 cm and 120x120 cm roof opening dimensions

The PYRODÔME® ÉVOLUTION TREUIL is an NSHEV intended primarily for smoke and heat exhaust applications. It is suitable for use on waterproofed flat roofs on all types of buildings (including public facilities, work premises and industrial buildings).



Also available:



## OPTIONS



### Types of filling

- Black and white opaque PCA 10
- Transparent PCA 10
- Insulated aluminium cover
- PMMA double dome
- Solid PC double dome



### Control

- Limit switch



### Upstand

- Upstand height: 360 mm, 410 mm or more
- Lacquered interior
- Colaminated sheet steel top for PVC waterproofing
- Galvanised sheet steel top for PVC waterproofing
- Bare insulation for PVC waterproofing
- With/without wind baffles (AD/SD)
- Skewed upstand

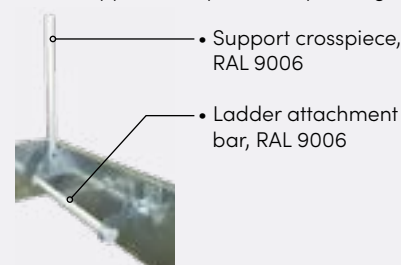
### Capping upstand

See page 5 for details.



### Other information

- 6 mm round bar or 16x16 mm 1200 joule square tube grid, galvanised or lacquered in standard RAL
- Anti-sawing burglar-resistant grid (16x16 mm + R10 tube assembly), galvanised or lacquered in standard RAL
- 16x16 mm security bars on opening system
- Ladder attachment bar, lacquered grey
- Support crosspiece, lacquered grey



• Support crosspiece, RAL 9006

• Ladder attachment bar, RAL 9006

## Dimensions

Roof opening dimensions A x B (cm)		Overall heel dimensions C x D (cm)		Height H* (cm)				Light surface (m <sup>2</sup> )	E (cm)	Product weight (kg)			
				Straight upstand		Skewed XL upstand				Straight upstand		Skewed XL upstand	
Straight upstand	Skewed XL upstand	Straight upstand	Skewed XL upstand	PCA	DD	PCA	DD	PCA	DD	PCA	DD	PCA	DD
100 x 100	114 x 114	118 x 118	132 x 132	37	56	37	56	1.00	165	63	69	67	73
120 x 120	134 x 134	138 x 138	152 x 152	37	59	37	59	1.44	186	76	86	81	90
140 x 140	154 x 154	158 x 158	172 x 172	37	62	37	62	1.96	207	90	103	95	109
150 x 150	164 x 164	168 x 168	182 x 182	37	64	37	64	2.25	228	96	112	102	118
160 x 160	174 x 174	178 x 178	192 x 192	37	-	37	-	2.56	240	103	-	109	-
100 x 150	114 x 164	118 x 168	132 x 182	37	56	37	56	1.50	165	76	86	81	91
100 x 200	114 x 214	138 x 218	132 x 232	39	56	39	56	2.00	165	90	104	96	110
120 x 200	134 x 214	138 x 218	152 x 232	39	54	39	54	2.40	186	98	110	105	117
140 x 200	154 x 214	158 x 218	172 x 232	39	62	39	62	2.80	207	106	119	113	126

Contact us for other dimensions.  
\* For an upstand height of 310 mm

## Dimensions & aeratic performance

Roof opening dimensions A x B (cm)		PYRODÔME ÉVOLUTION TREUIL			PYRODÔME ÉVOLUTION TREUIL XL			PYRODÔME ÉVOLUTION TREUIL UPSTAND		
		Av (m <sup>2</sup> )	Aa (m <sup>2</sup> )		Av (m <sup>2</sup> )	Aa (m <sup>2</sup> )		Av (m <sup>2</sup> )	Aa (m <sup>2</sup> )	
			SD	AD		SD	AD		AD	SD
100 x 100	114 x 114	1.00	0.55	0.68	1.30	0.70	0.87	1.08	0.57	0.68
120 x 120	134 x 134	1.44	0.78	0.96	1.80	0.97	1.20	1.54	0.77	0.97
140 x 140	154 x 154	1.96	1.04	1.28	2.37	1.27	1.60	2.07	0.97	1.30
150 x 150	164 x 164	2.25	1.18	1.45	2.69	1.43	1.82	2.37	1.08	1.48
160 x 160	174 x 174	2.56	1.34	1.63	3.03	1.61	2.05	2.69	1.18	1.67
100 x 150	114 x 164	1.50	0.81	1.00	1.87	1.01	1.25	1.60	0.85	1.01
100 x 200	114 x 214	2.00	1.00	1.33	2.44	1.32	1.64	2.12	1.15	1.33
120 x 200	134 x 214	2.40	1.21	1.59	2.87	1.45	1.95	2.53	1.29	1.57
140 x 200	154 x 214	2.80	1.42	1.85	3.30	1.68	2.24	2.94	1.40	1.83

Contact us for other dimensions. \* For an upstand height of 170 mm

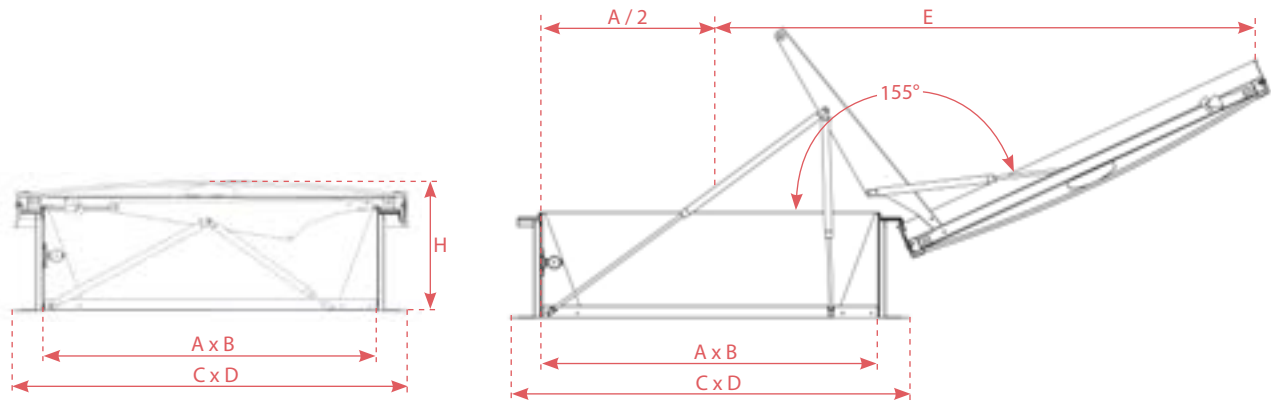
## Control system

We supply versatile installation kits for controlling the **PYRODÔME® ÉVOLUTION TREUIL** and **PYRODÔME® ÉVOLUTION TREUIL CAPPING UPSTAND**. These easy-to-use kits combine a core kit with a range of (mechanical, pneumatic or electrical) satellite kits. See the *Installation Kits* datasheet for a full list of our kits.

## Technical diagrams

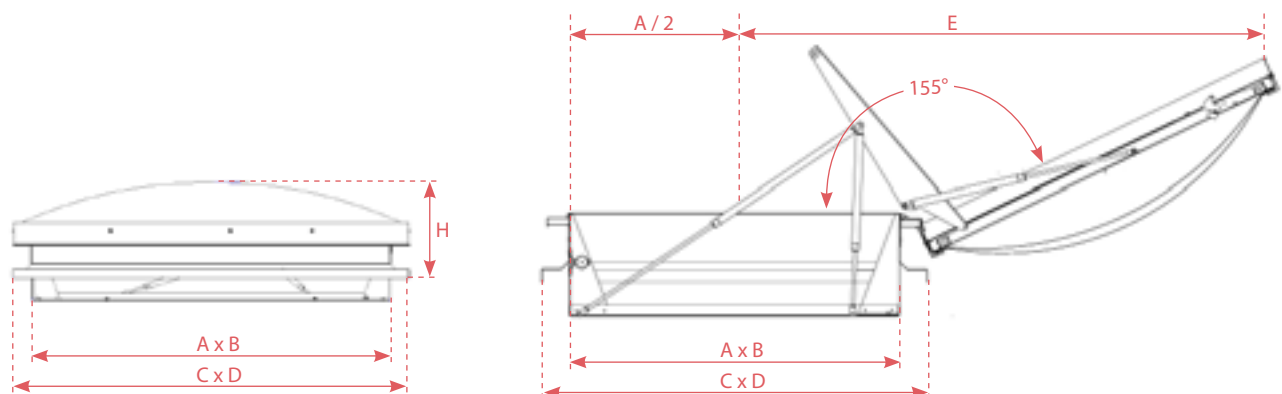
### ORIGIN' range

#### PYRODÔME ÉVOLUTION TREUIL PCA



### ORIGIN' range capping upstand

#### PYRODÔME ÉVOLUTION TREUIL double dome



#### PERFORMANCE

**Exhaust ventilator opening:** type B (open + close)

**Reliability:** Re 300

**Low ambient temperature:** T(0°C)

**Resistance to heat:** B<sub>300</sub>

**Thermo-fuse set temperature:** 93°C as standard

**Resistance to wind load:** WL1500

**Opening under load:** SL 250 or SL 500 depending on filling and dimensions

#### COMPLIANCE & INSTALLATION

CE certified NSHEV compliant with **NF EN 12101-2. (Product certification No. 0333 CPR 219016)**

The product must be fastened and sealed in accordance with the requirements defined in the applicable DTU specifications (series 40 and 43).

Maximum insulation height: as per the DTUs, the sealing flashing must extend to a height of at least 150 mm.

The waterproofing complex (substrate, vapour barrier, insulation and two-layer sealant) must be no thicker than 140 mm for an interior upstand height of 310 mm, or 240 mm for an interior upstand height of 410 mm.

Maximum permissible slope: 25° or 46% (see installation instructions).

Only the security bar option provides guaranteed 1200 joule protection.

**DoP available at [www.skydome.eu](http://www.skydome.eu)**

## Maximum permissible snow loads SL (Pa)

Opening (cm)	PCA		Double dome		Aluminium cover	
	SL 250	SL 500	SL 250	SL 500	SL 250	SL 500
100 x 100	✓	✓	✓	✓	✓	✓
120 x 120	✓	✓	✓		✓	
140 x 140	✓		✓		✓	
150 x 150	✓		✓		✓	
160 x 160	✓					
100 x 150	✓		✓		✓	
100 x 200	✓		✓		✓	
120 x 200	✓		✓		✓	
140 x 200	✓		✓		✓	

✓ : disponible

## Filling performance

Other filling and filling options: see "Filling" data sheet.

Type of filling	Thermal transmittance factor Ug (W/ m <sup>2</sup> .K)	LT D65 <sup>(2)</sup>	SF or g <sup>(2)</sup>	Reaction to fire	R <sub>w</sub> (dB) <sup>(3)</sup>	
	U <sub>hor</sub> <sup>(1)</sup>					
PCA	Opal 4-wall PCA 10	2.9	61%	61%	B-s1-d0	R <sub>w</sub> =19 dB
	Transparent PCA 10 with Lumira™ aerogel	ND	ND	ND	ND	ND
Cover	40 mm aluminium cover	0.85	0%	ND	ND	ND
Dome	Opal PMMA double dome Opal upper dome + transparent lower dome	2.89	84%	ND	ND	ND

<sup>(1)</sup>Relative to the horizontal, as per §2.31 of the Th-Bat regulations.

<sup>(2)</sup> Light transmittance LT D65 and solar transmittance SF (TST or g) as per EN 410.

<sup>(3)</sup> Filling insulated against airborne noise R<sub>a</sub>, pink noise R<sub>k</sub> (environment, airport and industrial activities) and road noise R<sub>rw</sub> laboratory-measured according to NF EN ISO 140.

## FOR RENOVATION AND COMPLIANCE WORKS

The **PYRODÔME® ÉVOLUTION TREUIL** is designed to fit any type of upstand, whether for compliance reasons or to change the NSHEV's purpose **while retaining the existing upstand**.



### Filling

- Opal multi-wall PCA 10,  $U_g = 2.9 \text{ W/m}^2\cdot\text{K}$



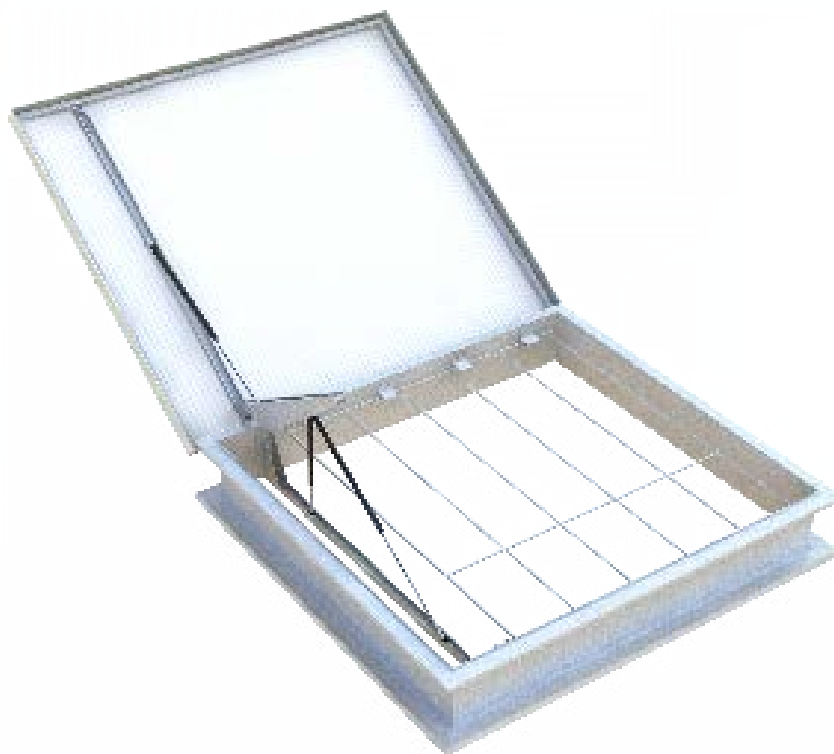
### Upstand

- Bevelled adapter upstand with 84 mm heel and 40 mm overlap
- 1.2 mm galvanised steel
- Height 170 mm

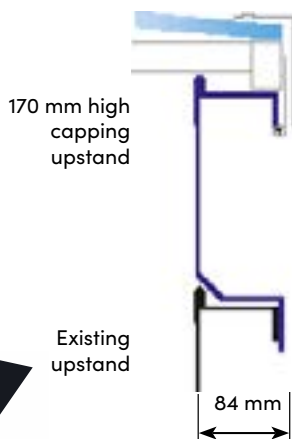
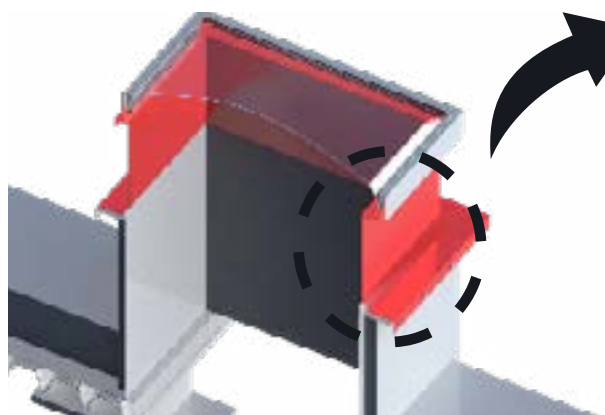


### Control

- Manual opening/closing
- Built-in and offset mechanism for 100x100 cm and 120x120 cm roof opening dimensions



## Installation diagram



### Options

Standard options list p.1

#### Upstand

- Upstand insulation including a galvanised steel protection plate
- Heel width on request for fitting to existing substrate
- Upstand height on request

## Dimensions & aeraulic performance

Roof opening dimensions A x B (cm)	Overall heel dimensions C x D (cm)	25Height H*(cm)25		Light surface (m <sup>2</sup> )	E (cm)	Weight (kg)		Av (m <sup>2</sup> )	Aa (m <sup>2</sup> )	
		PCA	DD			PCA	DD		SD	AD
<b>100 x 100</b>	<b>117 x 117</b>	23	42	1.00	165	53	59	1.00	0.57	0.68
<b>120 x 120</b>	<b>137 x 137</b>	23	45	1.44	186	64	73	1.44	0.77	0.97
<b>140 x 140</b>	<b>157 x 157</b>	23	48	1.96	207	75	89	1.96	0.97	1.30
<b>150 x 150</b>	<b>167 x 167</b>	23	50	2.25	228	81	97	2.25	1.08	1.48
<b>160 x 160</b>	<b>177 x 177</b>	23	51	2.56	240	86	105	2.56	1.18	1.67
<b>180 x 180</b>	<b>197 x 197</b>	25	54	3.24	274	97	-	3.24	1.38	2.13
<b>195 x 200</b>	<b>212 x 217</b>	25	59	3.90	285	108	-	3.90	1.58	2.50
<b>100 x 150</b>	<b>117 x 167</b>	23	42	1.50	165	63	86	1.50	0.85	1.01
<b>100 x 200</b>	<b>117 x 167</b>	25	42	2.00	165	75	104	2.00	1.15	1.33
<b>120 x 200</b>	<b>117 x 217</b>	24	-	2.40	186	82	-	2.40	1.29	1.57
<b>140 x 200</b>	<b>157 x 217</b>	25	48	2.80	207	89	-	2.80	1.40	1.83
<b>120 x 250</b>	<b>137 x 267</b>	25	45	3.00	186	93	-	3.00	-	-

Contact us for other dimensions.  
\* For an upstand height of 170 mm





---

## **SKYDÔME**

Entre Deux Villes  
02270 Sons-Et-Ronchères, France  
Tel: +33 (0)3 23 21 79 90  
Email: [info@skydome.eu](mailto:info@skydome.eu)  
[www.skydome.eu](http://www.skydome.eu)

For the product range in other countries, please contact your local representative or visit [www.skydome.eu](http://www.skydome.eu).

SKYDÔME reserves the right to modify product specifications without notice. The information and technical details contained in this documentation are provided in good faith and apply to the uses described. The recommendations for use must be checked to ensure they are appropriate and comply with the actual requirements, the specifications and all applicable legislation and regulations.

For other applications and conditions of use, please contact our technical team. Their advice must be sought concerning uses of our products that are not described specifically herein.

Click this link to check that you are seeing the most up-to-date and accurate information about our products:  
[https://www.skydome.eu/fr/produit/21\\_pyrodome-evolution-treuil.html](https://www.skydome.eu/fr/produit/21_pyrodome-evolution-treuil.html)