

For **WATERPROOFED ROOFS OR EXISTING UPSTANDS**

# PYROMAX<sup>®</sup>

CE

EN 12101-2  
EN 1873 + A1: 2016



## Filling

### THERMIK' RANGE:

- PCA 16
- PCA 16 + Lumira\*
- PCA 32
- PCA 32 + Lumira\*
- Acoustik'Light



## Upstand

- 310 mm high GRP base with a skewed insulated opening



## Control

- Pneumatic opening/closing
- Built-in mechanism



## VERSION

The PYROMAX<sup>®</sup> is an NSHEV intended for use on waterproofed flat roofs on all types of buildings (including public facilities, work premises and industrial buildings). It is particularly suitable for large buildings requiring multi-device smoke exhaust systems.



Also available:



## OPTIONS



### Types of filling

- Opal PCA 16 IR
- Grey PCA 16
- Transparent PCA 16
- Insulated aluminium cover



### Upstand

- Standard upstand height
- Lacquered interior and exterior (standard RAL colours)
- Colaminated sheet steel top for PVC waterproofing
- Galvanised sheet steel top for PVC waterproofing
- Bare insulation for PVC waterproofing
- Fitted with wind baffles (SD/AD/AD+)



### Other information

- 6 mm round bar or 16x16 mm 1200 joule square tube grid, galvanised or lacquered in standard RAL
- Anti-sawing burglar-resistant grid (16x16 mm + R10 tube assembly), galvanised or lacquered in standard RAL



### Control

- Limit switch
- Thermo-fuse (93°C as standard)

### Capping upstand

See page 7 for details.

### Available versions



## FUNCTIONAL OPTIONS



### Electric or pneumatic ventilation kit (on an opening system only)

[www.skydome.eu](http://www.skydome.eu)

## Dimensions

Roof opening dimensions A x B (cm)	Roof opening dimensions C x D (cm)	Height to gutter h* (cm)	Height H* (cm)	Light surface (m <sup>2</sup> )	Product weight (kg)		Av (m <sup>2</sup> )	Aa (m <sup>2</sup> )		
					AD	AD+		SD	AD	AD+
120 x 200	138 x 218	34	60	2.4	132	154	2.40	1.32	1.56	1.66
120 x 250	138 x 268	34	60	3	143	169	3.00	1.62	1.99	2.11
120 x 300	138 x 318	34	60	3.6	156	185	3.60	1.94	2.41	2.56
140 x 200	158 x 218	34	60	2.8	140	164	2.80	1.44	1.86	1.97
140 x 250	158 x 268	34	60	3.5	157	184	3.50	1.73	2.32	2.50
140 x 300	158 x 318	34	60	4.2	167	198	4.20	2.06	2.75	3.01
150 x 200	168 x 218	34	60	3	146	171	3.00	1.46	1.99	2.11
150 x 250	168 x 268	34	60	3.75	160	188	3.75	1.72	2.45	2.68
150 x 300	168 x 318	34	60	4.5	173	205	4.50	2.03	2.91	3.23
160 x 200	178 x 218	34	60	3.2	152	177	3.20	1.56	2.14	2.28
160 x 250	178 x 268	34	60	4	164	193	4.00	1.83	2.61	2.87
160 x 300	178 x 318	34	60	4.8	181	213	4.80	2.17	3.10	3.47
180 x 200	198 x 218	34	60	3.6	159	186	3.60	1.68	2.39	2.58
180 x 250	198 x 268	34	60	4.5	166	196	4.50	1.97	2.97	3.25
180 x 300	198 x 318	34	60	5.4	185	219	5.40	2.29	3.44	3.92
200 x 200	218 x 218	34	60	4	151	179	4.00	1.80	2.64	2.88
200 x 250	218 x 268	34	60	5	166	198	5.00	2.10	3.33	3.62
200 x 300	218 x 318	34	60	6	175	210	6.00	2.40	3.78	4.38
220 x 300**	238 x 318	34	60	6.6	183	219	6.60	2.64	4.16	4.69

Contact us for other dimensions.

\* For an upstand height of 360 mm

Values for a 410 mm high upstand. Contact us if you require a 310 mm upstand.

\*\* Upstand: 410 mm high, skewed shape (50 mm by 100 mm high on bottom section). Opening angle: 100°.

## Filling performance

Other filling and filling options: see "Filling" data sheet.

Type of filling	Thermal transmittance factor Ug (W/ m <sup>2</sup> .K)	LT D65 <sup>(2)</sup>	SF or g <sup>(2)</sup>	Reaction to fire	R <sub>w</sub> (dB) <sup>(3)</sup>	
	U <sub>hor</sub> <sup>(1)</sup>					
PCA	Opal multi-wall PCA 16	1.9	45%	46%	B-s1-d0	R <sub>w</sub> =21 dB
	Transparent PCA 16 with Lumira™ aerogel	1.5	67%	67%	B-s1-d0	R <sub>w</sub> =21 dB
	Opal multi-wall PCA 20	1.6	54 %	47%	B-s2-d0	R <sub>w</sub> =21 dB
	Transparent multi-wall PCA 32	1.3	33%	58%	ND	ND
	Transparent PCA 32 with 50% Lumira™ aerogel	0.97	43%	45%	ND	ND
Cover	40 mm aluminium cover	0.85	0%	ND	ND	ND
Acoustik' Light	Acoustik' Light Transparent PCA 10 & transparent PCA 6	2.1	ND	ND	ND	R <sub>w</sub> =27 dB

<sup>(1)</sup>As per §2.31 of the Th-Baf regulations.

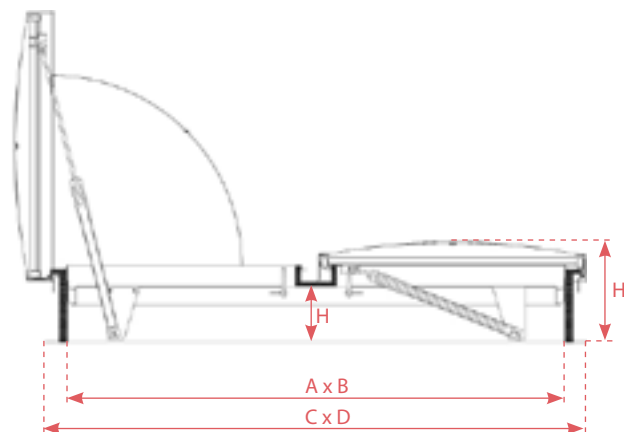
<sup>(2)</sup>Light transmittance LT D65 and total solar transmittance SF (TST or g) as per EN 410.

<sup>(3)</sup>Filling insulated against airborne noise R<sub>a</sub>, pink noise R<sub>p</sub> (environment, airport and industrial activities) and road noise RA, Tr laboratory-measured according to NF EN ISO 140.

## Technical diagrams

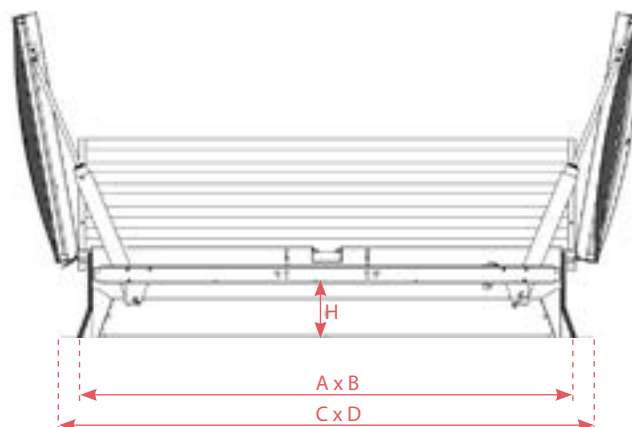
### THERMIK' range

PYROMAX PCA



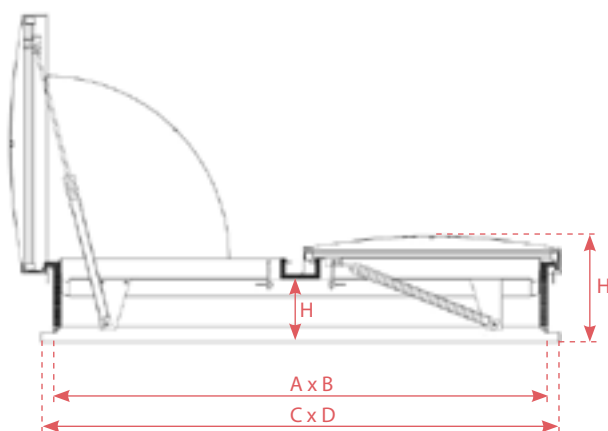
### THERMIK' range

PYROMAX PCA - 220 x 300



PYROMAX PCA

### capping upstand



#### PERFORMANCE

**Exhaust ventilator opening:** type B (open + close)

**Reliability:** Re 300 + 10000 (with ventilation kit)

**Low ambient temperature:** T(-15°C)

**Resistance to heat:** B<sub>300</sub>

**Thermo-fuse set temperature:** 93 °C to 183 °C

**Resistance to wind load:** WL 3000

**Opening under load:** SL250 or SL500 depending on filling

#### COMPLIANCE & INSTALLATION

CE certified NSHEV compliant with **NF EN 12101-2 (product certification No. 0333 CPR 219075)**.

The product must be fastened and sealed in accordance with the requirements defined in the applicable DTU specifications (series 40 and 43).

Maximum insulation height: as per the DTUs, the sealing flashing must extend to a height of at least 150 mm.

The waterproofing complex (substrate, vapour barrier, insulation and two-layer sealant) must be no thicker than 170 mm for an interior upstand height of 410 mm.

Maximum permissible slope: 20° or 36% (see installation instructions).

Only the security bar option provides guaranteed 1200 joule protection.

**DoP available at [www.skydome.eu](http://www.skydome.eu)**

Also available in Storm grade WL 3000 for dimensions < 140 x 140 cm.

Contact us for details.

## Trade name

Trade name	Filling	Upstand insulation
PYROMAX	THERMIK' 16	16 mm PCA(Opal PCA)
	THERMIK' 16+	16 mm PCA with LUMIRA (Transparent PCA)
	THERMIK' 20	20 mm PCA (Opal PCA)
	THERMIK' 32	32 mm PCA (Transparent PCA)
	THERMIK' 32+	16 mm PCA + 16 mm PCA with LUMIRA (Transparent PCA)
	THERMIK' 40 OPAQUE	40 mm aluminium cover
	THERMIK' ACOUSTIK' LIGHT	10 mm PCA + 6 mm solid PC
		Upstand height: 360 mm Insulation: • on vertical part of upstand • on upstand lip

## Air permeability and light surface\*

Roof opening dimensions A x B (cm)	Air flow (m <sup>3</sup> /h) - Class AP06 <sup>(1)</sup>		ELS <sup>(2)</sup> (m <sup>2</sup> )	
	Less than 4 Pa	Less than 50 Pa	Height 360 mm	Height 410 mm
120 x 200	0.31	2.00	0.92	0.91
120 x 250	0.37	2.38	1.16	1.14
120 x 300	0.43	2.77	1.4	1.38
140 x 200	0.32	2.08	1.09	1.07
140 x 250	0.38	2.46	1.37	1.35
140 x 300	0.44	2.84	1.32	1.68
150 x 200	0.33	2.11	1.17	1.15
150 x 250	0.39	2.50	1.48	1.46
150 x 300	0.45	2.88	1.78	1.76
160 x 200	0.34	2.15	1.25	1.24
160 x 250	0.40	2.54	1.58	1.56
160 x 300	0.46	2.92	1.91	1.89
180 x 200	0.35	2.23	1.42	1.4
180 x 250	0.41	2.61	1.79	1.77
180 x 300	0.47	3.00	2.16	2.14
200 x 200	0;36	2.31	1.58	1.56
200 x 250	0.42	2.69	2	1.98
200 x 300	0.48	3.08	2.41	2.39
220 x 300	0.49	3.15	2.74	2.72

<sup>(1)</sup> Air permeability tests carried out at the CSTC test centre as per NF EN 1873 protocols (with reference to the standards NF EN 12152 and NF EN 12153).

<sup>(2)</sup> Effective light surface calculated with white lacquered upstand and PCA 16 filling.

\* Contact us for details of all maximum possible performance options.

# Maximum permissible snow loads SL (Pa) and operating pressure

Roof opening dimensions A x B (cm)	Closing pressure	Opening pressure (bar)					
		SL250			SL500		
		PCA16 PCA16+	PCA32 PCA32+ 40 mm aluminium cover Acoustik'Light	Unit volume (Litre)	PCA16 PCA16+	PCA32 PCA32+ 40 mm aluminium cover Acoustik'Light	Unit volume (Litre)
120 x 200	6	9	10		12	13	
120 x 250		9	10	1.17	12	14	1.14
120 x 300		11	13		17	20	
140 x 200		17	20	0.47	17	20	0.73
140 x 250		20	23		21	24	
140 x 300		23	26		24	27	
150 x 200		15	18		16	18	
150 x 250		18	22	0.54	20	22	0.83
150 x 300		22	25		23	26	
160 x 200		15	16	0.62	15	17	0.96
160 x 250		16	19		18	20	
160 x 300		19	23		21	23	
180 x 200		16	19		17	19	
180 x 250		20	23	0.65	21	24	1.01
180 x 300		22	26		25	26	
200 x 200		19	22	0.79	19	21	1.24
200 x 250		21	25		24	26	
200 x 300		24	27		17	20	
220 x 200		16	19		19	21	
220 x 250		20	23	3.1	24	26	1.38
220 x 300	22	26		18	20	3.1	

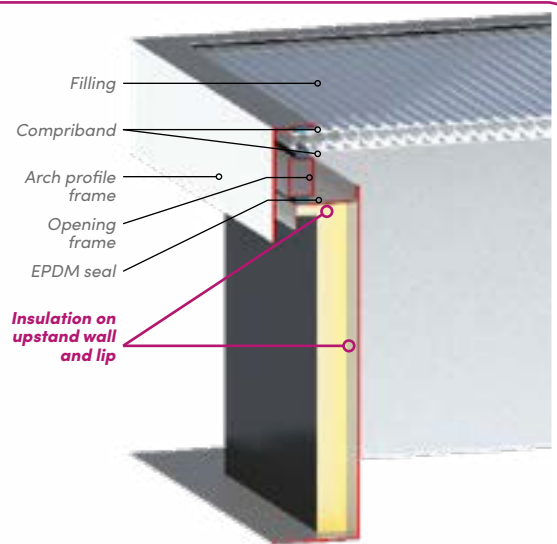
\*Skewed upstand along the length.

\*\*For SL 250, 6 bar with an electric or pneumatic ventilation kit (otherwise 8 bar in total ventilation with no ventilation kit)  
For SL 500, 6 bars in total ventilation (only electric ventilation requires a kit)

**$U_{RC} : 1.9 \text{ W/m}^2.K^*$**

**ENHANCED THERMAL INSULATION:**

- ✓ WIDE RANGE OF FILLING OPTIONS
- ✓ COMPLIANT WITH DTU SPECIFICATIONS
- ✓  $U_{RC} = 1.9 \text{ W/m}^2.K^*$



**Thermal performance:  $U_{RC}$  ( $\text{W/m}^2.K$ ) and  $A_{RC}$  ( $\text{m}^2$ )**

PYROMAX®								
Upstand height: 410 mm								
Dimensions (cm)	$U_{RC}$							$A_{RC}$
	Acoustik' Light	PCA 16	PCA 16+	PCA 20	PCA 32**	PCA 32+	Opaque 40 mm aluminium cover	
120 x 200	2.7	2.6	2.4	2.3	2.3	2.2	2	5.8
120 x 250	2.7	2.6	2.4	2.3	2.3	2.2	2	6.9
120 x 300	2.7	2.6	2.5	2.3	2.3	2.2	2.1	8.0
140 x 200	2.7	2.5	2.4	2.2	2.2	2.1	2	6.4
140 x 250	2.7	2.5	2.4	2.3	2.2	2.1	2	7.6
140 x 300	2.7	2.6	2.4	2.3	2.3	2.1	2	8.8
150 x 200	2.6	2.5	2.3	2.2	2.2	2.1	1.9	6.7
150 x 250	2.6	2.5	2.3	2.2	2.2	2.1	1.9	7.9
150 x 300	2.6	2.5	2.4	2.2	2.2	2.1	1.9	9.2
160 x 200	2.6	2.5	2.3	2.2	2.2	2.1	1.9	7.0
160 x 250	2.6	2.5	2.3	2.2	2.2	2.1	1.9	8.3
160 x 300	2.6	2.5	2.3	2.2	2.2	2.1	1.9	9.6
180 x 200	2.6	2.4	2.3	2.2	2.1	2	1.8	7.6
180 x 250	2.6	2.5	2.3	2.2	2.1	2	1.8	9.0
180 x 300	2.6	2.5	2.3	2.2	2.1	2	1.8	10.4
200 x 200	2.5	2.4	2.2	2.1	2.1	2	1.8	8.2
200 x 250	2.5	2.4	2.2	2.1	2.1	1.9	1.8	9.7
200 x 300	2.5	2.4	2.2	2.1	2.1	1.9	1.8	11.2
220 x 300	2.5	2.4	2.2	2	2	1.9	1.7	12.0

\* For a 200 x 250 cm unit with a 410 mm high upstand and PCA 32+ filling

## FOR RENOVATION AND COMPLIANCE WORKS

The **PYROMAX®** capping upstand is designed to fit any type of upstand, whether for compliance reasons or to change the unit's purpose **while retaining the existing upstand**.



### Types of filling

#### THERMIK' RANGE:

- PCA 16
- PCA 16+ Lumira\*
- PCA 32
- PCA 32+ Lumira\*
- Acoustik'Light



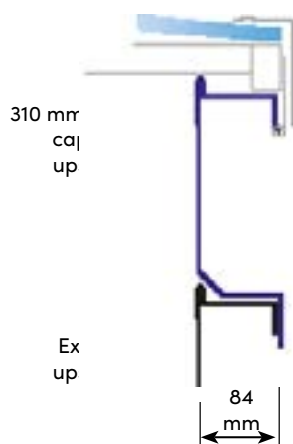
### Upstand

- Insulated upstand with galvanised steel protection plate, 84 mm heel and 40 mm overlap
- 1.2 mm galvanised steel
- Height 310 mm

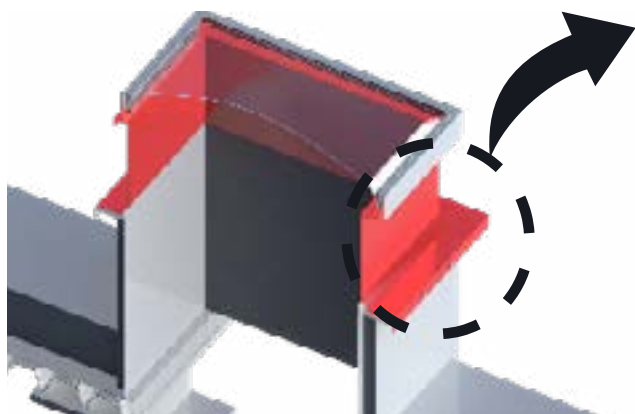


### Control

- Pneumatic opening/closing
- Built-in mechanism



## Installation diagram



### Options

Standard options list p.1

#### Upstand

- Heel width on request for fitting to existing substrate
- Upstand height on request

# Dimensions

Roof opening dimensions A x B (cm)	Roof opening dimensions C x D (cm)	Height to gutter h* (cm)	Height H* (cm)	Light surface (m <sup>2</sup> )	Product weight (kg)		Av (m <sup>2</sup> )	Aa (m <sup>2</sup> )		
					AD	AD+		SD	AD	AD+
<b>120 x 200</b>	<b>137 x 217</b>	34	60	2.4	126	149	2.40	1.32	1.56	1.66
<b>120 x 250</b>	<b>137 x 267</b>			3	137	162	3.00	1.62	1.99	2.11
<b>120 x 300</b>	<b>137 x 317</b>			3.6	149	178	3.60	1.94	2.41	2.56
<b>140 x 200</b>	<b>157 x 217</b>			2.8	134	158	2.80	1.44	1.86	1.97
<b>140 x 250</b>	<b>157 x 267</b>			3.5	150	177	3.50	1.73	2.32	2.50
<b>140 x 300</b>	<b>157 x 317</b>			4.2	159	190	4.20	2.06	2.75	3.01
<b>150 x 200</b>	<b>167 x 217</b>			3	140	164	3.00	1.46	1.99	2.11
<b>150 x 250</b>	<b>167 x 267</b>			3.75	153	181	3.75	1.72	2.45	2.68
<b>150 x 300</b>	<b>167 x 317</b>			4.5	165	197	4.50	2.03	2.91	3.23
<b>160 x 200</b>	<b>177 x 217</b>			3.2	146	171	3.20	1.56	2.14	2.28
<b>160 x 250</b>	<b>177 x 267</b>			4	157	186	4.00	1.83	2.61	2.87
<b>160 x 300</b>	<b>177 x 317</b>			4.8	173	205	4.80	2.17	3.10	3.47
<b>180 x 200</b>	<b>197 x 217</b>			3.6	152	179	3.60	1.68	2.39	2.58
<b>180 x 250</b>	<b>197 x 267</b>			4.5	158	189	4.50	1.97	2.97	3.25
<b>180 x 300</b>	<b>197 x 317</b>			5.4	177	210	5.40	2.29	3.44	3.92
<b>200 x 200</b>	<b>217 x 217</b>			4	144	172	4.00	1.80	2.64	2.88
<b>200 x 250</b>	<b>217 x 267</b>			5	158	190	5.00	2.10	3.33	3.62
<b>200 x 300</b>	<b>217 x 317</b>			6	166	201	6.00	2.40	3.78	4.38
<b>220 x 300**</b>	<b>237 x 317</b>			6.6	174	210	6.60	2.64	4.16	4.69

Contact us for other dimensions. \* For an upstand height of 170 mm  
 Values for a 410 mm high upstand. Contact us if you require a 310 mm upstand.  
 \*\* Upstand: 410 mm high, skewed shape (50 mm by 100 mm high on bottom section). Opening angle: 100°.



Thermal performance:  $U_{RC}$  (W/m<sup>2</sup>.K) and  $A_{RC}$  (m<sup>2</sup>)

PYROMAX®								
Dimensions (cm)	Upstand height: 410 mm							
	$U_{RC}$							$A_{RC}$
	Acoustik' Light	PCA 16	PCA 16+	PCA 20	PCA 32**	PCA 32+	Opaque 40 mm aluminium cover	
120 x 200	2.6	2.8	2.7	2.7	2.7	2.5	2.4	5.1
120 x 250	2.5	2.9	2.7	2.7	2.7	2.5	2.4	6.1
120 x 300	2.7	2.9	2.7	2.7	2.7	2.5	2.4	7.1
140 x 200	2.6	2.8	2.6	2.6	2.6	2.4	2.3	5.7
140 x 250	2.6	2.8	2.6	2.6	2.6	2.4	2.3	6.8
140 x 300	2.6	2.8	2.6	2.6	2.6	2.4	2.3	7.9
150 x 200	2.6	2.7	2.5	2.6	2.5	2.4	2.3	6.0
150 x 250	2.6	2.7	2.5	2.6	2.5	2.4	2.3	7.1
150 x 300	2.6	2.8	2.6	2.6	2.5	2.4	2.3	8.3
160 x 200	2.6	2.8	2.5	2.6	2.5	2.4	2.2	6.2
160 x 250	2.6	2.9	2.5	2.6	2.5	2.3	2.2	7.4
160 x 300	2.6	2.9	2.5	2.6	2.5	2.3	2.2	8.7
180 x 200	2.5	2.7	2.5	2.5	2.4	2.3	2.2	6.8
180 x 250	2.5	2.7	2.5	2.5	2.4	2.3	2.1	8.1
180 x 300	2.6	2.7	2.5	2.5	2.4	2.3	2.1	8.1
200 x 200	2.5	2.6	2.4	2.5	2.4	2.2	2.1	7.4
200 x 250	2.5	2.6	2.4	2.5	2.3	2.2	2.1	8.8
200 x 300	2.5	2.6	2.4	2.5	2.3	2.2	2.1	10.2
220 x 300	2.5	2.6	2.4	2.4	2.3	2.1	2	10.9

\* For a 220 x 300 cm unit with a 410 mm high upstand and PCA 32+ filling

---

## **SKYDÔME**

Entre Deux Villes  
02270 Sons-Et-Ronchères, France  
Tel: +33 (0)3 23 21 79 90  
Email: [info@skydome.eu](mailto:info@skydome.eu)  
[www.skydome.eu](http://www.skydome.eu)

For the product range in other countries, please contact your local representative or visit [www.skydome.eu](http://www.skydome.eu).

SKYDÔME reserves the right to modify product specifications without notice. The information and technical details contained in this documentation are provided in good faith and apply to the uses described. The recommendations for use must be checked to ensure they are appropriate and comply with the actual requirements, the specifications and all applicable legislation and regulations.

For other applications and conditions of use, please contact our technical team. Their advice must be sought concerning uses of our products that are not described specifically herein.

Click this link to check that you are seeing the most up-to-date and accurate information about our products:  
[https://www.skydome.eu/fr/produit/61\\_pyromax.html](https://www.skydome.eu/fr/produit/61_pyromax.html)

For **WATERPROOFED ROOFS OR EXISTING UPSTANDS**

# PYROMAX®

CE  
EN 12101-2  
EN 1873 + A1: 2016

 **VERSION**



## Filling

**ORIGIN' RANGE:**  
• Opal PCA 10



## Upstand

- Straight upstand
- 1.2 mm galvanised steel

## ORIGIN' RANGE:

- Height 410 mm with a 15 mm bituminous insulating coating



## Control

- Pneumatic opening/closing
- Built-in mechanism

The PYROMAX® is an NSHEV intended for use on waterproofed flat roofs on all types of buildings (including public facilities, work premises and industrial buildings). PYROMAX is particularly suitable for large buildings requiring multi-device smoke exhaust systems.



Also available:



## OPTIONS



### Types of filling

- Opal PCA 10 IR
- Black and white Opaque PCA 10
- Transparent PCA 10
- PCA 10 + Lumira\*
- Insulated aluminium cover



### Upstand

- Upstand heights: 310 mm, 360 mm or greater than 410 mm
- Lacquered interior
- (standard RAL colours)
- Colaminated sheet steel top for PVC waterproofing
- Fitted with wind baffles (AD/AD+)



### Other information

- 6 mm round bar or 16x16 mm 1200 joule square tube grid, galvanised or lacquered in standard RAL
- Anti-sawing burglar-resistant grid (16x16 mm tube assembly with round bottom tube), galvanised or lacquered in standard RAL

### Capping upstand

See page 5 for details.

### Available versions



## FUNCTIONAL OPTIONS



**Electric or pneumatic ventilation kit  
(on an opening system only)**

[www.skydome.eu](http://www.skydome.eu)

 SKYDOME®

# Dimensions

Roof opening dimensions A x B (cm)	Overall heel dimensions C x D (cm)	Height to gutter H* (cm)	Height H* (cm)	Light surface (m <sup>2</sup> )	Product weight (kg)		Av (m <sup>2</sup> )	Aa (m <sup>2</sup> )*		
					AD	AD+		SD	AD	AD+
<b>120 x 200</b>	<b>138 x 218</b>	34	52	2.4	132	154	2.40	1.32	1.56	1.66
<b>120 x 250</b>	<b>138 x 268</b>	34	52	3	143	169	3.00	1.62	1.99	2.11
<b>120 x 300</b>	<b>138 x 318</b>	34	52	3.6	156	185	3.60	1.94	2.41	2.56
<b>140 x 200</b>	<b>158 x 218</b>	34	52	2.8	140	164	2.80	1.44	1.86	1.97
<b>140 x 250</b>	<b>158 x 268</b>	34	52	3.5	157	184	3.50	1.73	2.32	2.50
<b>140 x 300</b>	<b>158 x 318</b>	34	52	4.2	167	198	4.20	2.06	2.75	3.01
<b>150 x 200</b>	<b>168 x 218</b>	34	52	3	146	171	3.00	1.46	1.99	2.11
<b>150 x 250</b>	<b>168 x 268</b>	34	52	3.75	160	188	3.75	1.72	2.45	2.68
<b>150 x 300</b>	<b>168 x 318</b>	34	52	4.5	173	205	4.50	2.03	2.91	3.23
<b>160 x 200</b>	<b>178 x 218</b>	34	52	3.2	152	177	3.20	1.56	2.14	2.28
<b>160 x 250</b>	<b>178 x 268</b>	34	52	4	164	193	4.00	1.83	2.61	2.87
<b>160 x 300</b>	<b>178 x 318</b>	34	52	4.8	181	213	4.80	2.17	3.10	3.47
<b>180 x 200</b>	<b>198 x 218</b>	34	52	3.6	159	186	3.60	1.68	2.39	2.58
<b>180 x 250</b>	<b>198 x 268</b>	34	52	4.5	166	196	4.50	1.97	2.97	3.25
<b>180 x 300</b>	<b>198 x 318</b>	34	52	5.4	185	219	5.40	2.29	3.44	3.92
<b>200 x 200</b>	<b>218 x 218</b>	34	52	4	151	179	4.00	1.80	2.64	2.88
<b>200 x 250</b>	<b>218 x 268</b>	34	52	5	166	198	5.00	2.10	3.33	3.62
<b>200 x 300</b>	<b>218 x 318</b>	34	52	6	175	210	6.00	2.40	3.78	4.38
<b>220 x 300 **</b>	<b>238 x 318</b>	34	52	6.6	183	219	6.60	2.64	4.16	4.69

Values for a 410 mm high upstand. Contact us if you require a 310 mm upstand.

\*\* Upstand: 410 mm high, skewed shape (50 mm by 100 mm high on bottom section). Opening angle: 100°. Contact us for other dimensions.

# Maximum permissible snow loads SL (Pa) and operating pressure

Roof opening (cm)		Opening pressure (bar) Snow load: SL250			Opening pressure (bar) Snow load: SL500			Closing pressure (bar)
Width	Length	PCA 10	Aluminium cover	Jack volume (litres)	PCA 10	Aluminium cover	Jack volume (litres)	
120	200	9	10	1.3	12	13	1.3	6
	250	9	10		12	14		
	300	11	13		17	20		
140	200	17	20	0.52	17	20	0.85	6
	250	20	23		21	24		
	300	23	26		24	27		
150	200	15	18	0.63	16	18	0.98	6
	250	18	22		20	22		
	300	22	25		23	26		
160	200	15	16	0.74	15	17	1.11	6
	250	16	19		18	20		
	300	19	23		21	23		
180	200	16	19	0.74	17	19	1.11	6
	250	20	23		21	24		
	300	22	26		25	26		
200	200	19	22	0.91	19	21	1.38	6
	250	21	25		24	26		
	300	24	27		17	20		
220*	200	16	19	3.1	19	21	1.38	6
	250	20	23		24	26		
	300	10	13		18	20		

\*Skewed upstand along the length.

\*\* Upstand: 410 mm high, skewed shape (50 mm by 100 mm high on bottom section). Opening angle: 100°.

Contact us for other dimensions.

## Filling performance

Other filling and filling options: see "Filling" data sheet.

	Type of filling	Thermal transmittance factor Ug (W/ m <sup>2</sup> .K)	LT D65 <sup>(2)</sup>	SF or g <sup>(2)</sup>	Reaction to fire	R <sub>w</sub> (dB) <sup>(3)</sup>
		U <sub>hor</sub> <sup>(1)</sup>				
PCA	Opal 4-wall PCA 10	2.7	61%	61%	B-s1-d0	R <sub>w</sub> =19 dB
	Transparent PCA 10 with Lumira™ aerogel	ND	ND	ND	ND	ND
Cover	40 mm aluminium cover	0.85	0%	ND	ND	ND

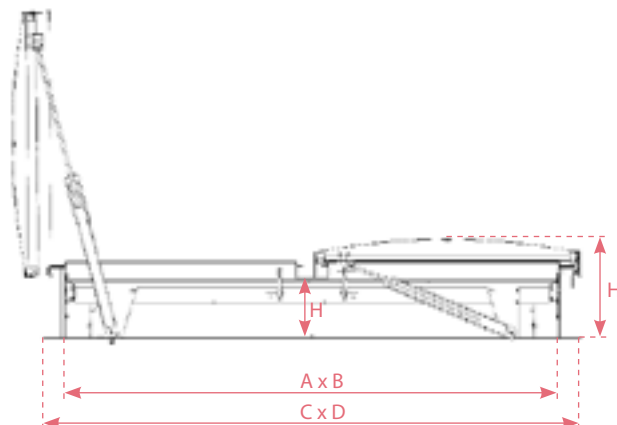
<sup>(1)</sup>Relative to the horizontal, as per §2.31 of the Th-Baf regulations.

<sup>(2)</sup> Light transmittance LT D65 and solar transmittance SF (TST or g) as per EN 410.

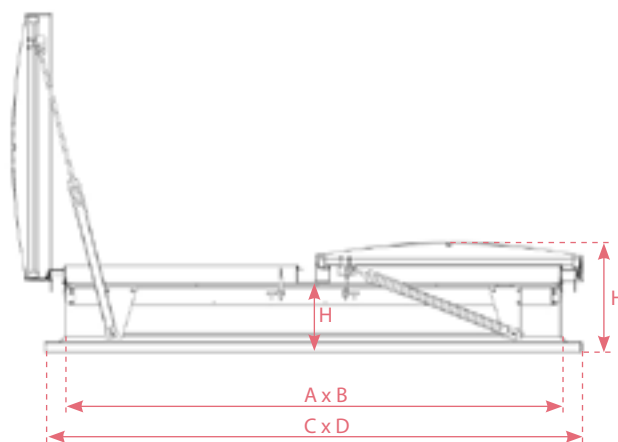
<sup>(3)</sup> Filling insulated against airborne noise R<sub>a</sub>, pink noise R<sub>k</sub> (environment, airport and industrial activities) and road noise RA,Tr laboratory-measured according to NF EN ISO 140.

## Technical diagrams

### ORIGIN' range PYROMAX PCA



### ORIGIN' range capping upstand PYROMAX PCA



#### PERFORMANCE

**Exhaust ventilator opening:** type B (open + close)

**Reliability:** Re 300 + 10000 fully open (SL250 with ventilation kit)

**Low ambient temperature:** T(-15°C) except 220 x 300 T(0°C)

**Resistance to heat:** B<sub>300</sub>

**Thermo-fuse set temperature:** 93 °C to 183 °C

**Resistance to wind load:** WL3000 except 220 x 300: WL1500

**Opening under load:** SL250, SL500 and SL800

#### COMPLIANCE & INSTALLATION

CE certified NSHEV compliant with **NF EN 12101-2 (product certification No. 0333 CPR 219075)**.

The product must be fastened and sealed in accordance with the requirements defined in the applicable DTU specifications (series 40 and 43).

Maximum insulation height: as per the DTUs, the sealing flashing must extend to a height of at least 150 mm.

The waterproofing complex (substrate, vapour barrier, insulation and two-layer sealant) must be no thicker than 140 mm for an interior upstand height of 310 mm, or 240 mm for an interior upstand height of 410 mm.

Maximum permissible slope: 20° or 36% (see installation instructions).

Only the security bar option provides guaranteed 1200 joule protection.

**DoP available at [www.skydome.eu](http://www.skydome.eu)**

**FOR RENOVATION AND COMPLIANCE WORKS**

The **PYROMAX®** capping upstand is designed to fit any type of upstand, whether for compliance reasons or to change the unit's purpose **while retaining the existing upstand.**



**Filling**

ORIGIN' RANGE:

- Opal multi-wall PCA 10
- $U_g = 2.9 \text{ W/ m}^2 \cdot \text{K}$



**Upstand**

- Bevelled adapter upstand with 84 mm heel and 40 mm overlap
- 1.2 mm galvanised steel

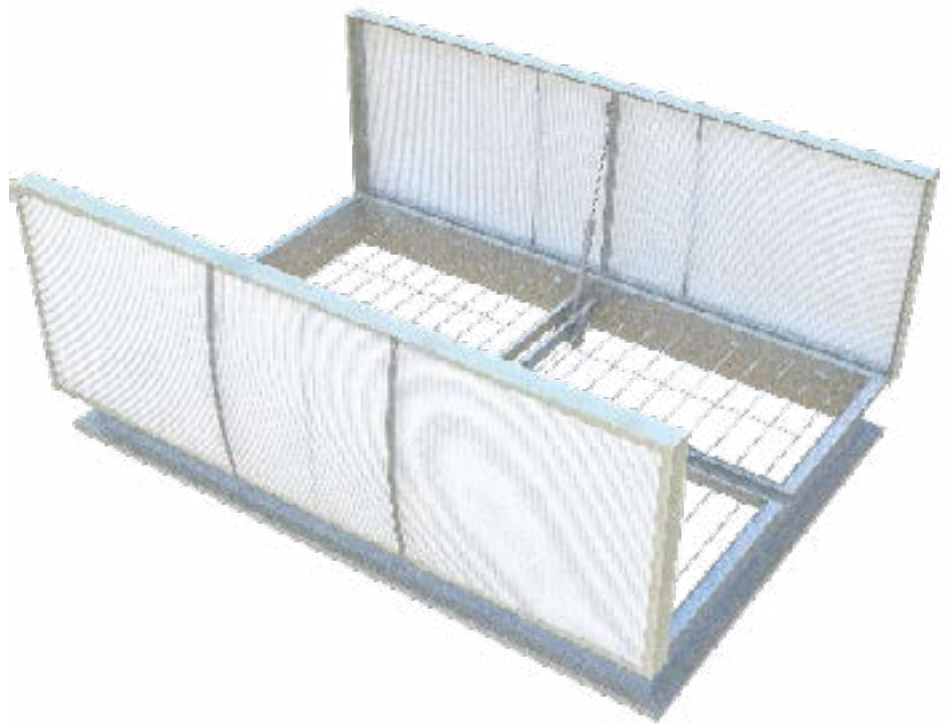
ORIGIN' RANGE:

- Height 410 mm with a 15 mm bituminous insulating coating



**Control**

- Pneumatic opening/closing
- Built-in mechanism



## Dimensions

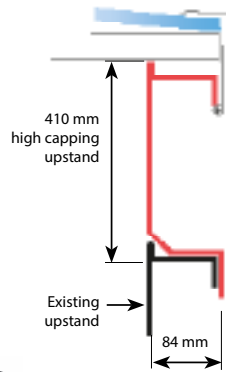
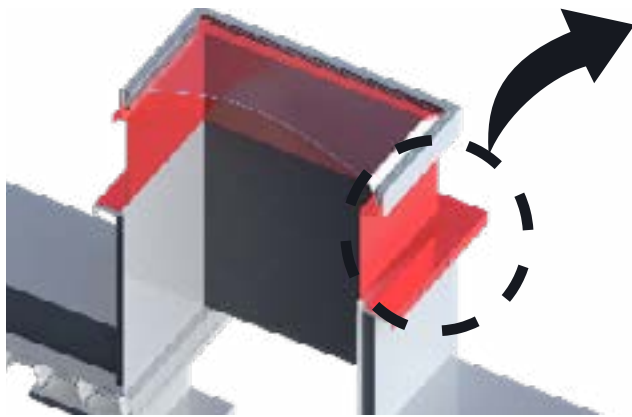
Roof opening dimensions A x B (cm)	Overall heel dimensions C x D (cm)	Height to gutter H* (cm)	Height H* (cm)	Light surface (m <sup>2</sup> )	Product weight (kg)		Av (m <sup>2</sup> )	Aa (m <sup>2</sup> )*		
					AD	AD+		SD	AD	AD+
<b>120 x 120</b>	<b>137 x 217</b>	34	52	2.4	126	149	2.40	1.32	1.56	1.66
<b>120 x 250</b>	<b>137 x 267</b>	34	52	3	137	162	3.00	1.62	1.99	2.11
<b>120 x 300</b>	<b>137 x 317</b>	34	52	3.6	149	178	3.60	1.94	2.41	2.56
<b>140 x 200</b>	<b>157 x 217</b>	34	52	2.8	134	158	2.80	1.44	1.86	1.97
<b>140 x 250</b>	<b>157 x 267</b>	34	52	3.5	150	177	3.50	1.73	2.32	2.50
<b>140 x 300</b>	<b>157 x 317</b>	34	52	4.2	159	190	4.20	2.06	2.75	3.01
<b>150 x 200</b>	<b>167 x 217</b>	34	52	3	140	164	3.00	1.46	1.99	2.11
<b>150 x 250</b>	<b>167 x 267</b>	34	52	3.75	153	181	3.75	1.72	2.45	2.68
<b>150 x 300</b>	<b>167 x 317</b>	34	52	4.5	165	197	4.50	2.03	2.91	3.23
<b>160 x 200</b>	<b>177 x 217</b>	34	52	3.2	146	171	3.20	1.56	2.14	2.28
<b>160 x 250</b>	<b>177 x 267</b>	34	52	4	157	186	4.00	1.83	2.61	2.87
<b>160 x 300</b>	<b>177 x 317</b>	34	52	4.8	173	205	4.80	2.17	3.10	3.47
<b>180 x 200</b>	<b>197 x 217</b>	34	52	3.6	152	179	3.60	1.68	2.39	2.58
<b>180 x 250</b>	<b>197 x 267</b>	34	52	4.5	158	189	4.50	1.97	2.97	3.25
<b>180 x 300</b>	<b>197 x 317</b>	34	52	5.4	177	210	5.40	2.29	3.44	3.92
<b>200 x 200</b>	<b>217 x 217</b>	34	52	4	144	172	4.00	1.80	2.64	2.88
<b>200 x 250</b>	<b>217 x 267</b>	34	52	5	158	190	5.00	2.10	3.33	3.62
<b>200 x 300</b>	<b>217 x 317</b>	34	52	6	166	201	6.00	2.40	3.78	4.38
<b>220 x 300 **</b>	<b>237 x 317</b>	34	52	6.6	174	210	6.60	2.64	4.16	4.69

Values for a 410 mm high upstand. Contact us if you require a 310 mm upstand.

\*\* Upstand: 410 mm high, skewed shape (50 mm by 100 mm high on bottom section). Opening angle: 100°. Contact us for other dimensions.



## Installation diagram



### Options

Standard options list p.1

#### Upstand

- Upstand insulation including a galvanised steel protection plate
- Heel width on request for fitting to existing substrate
- Upstand height on request

---

## **SKYDÔME**

Entre Deux Villes  
02270 Sons-Et-Ronchères, France  
Tel: +33 (0)3 23 21 79 90  
Email: [info@skydome.eu](mailto:info@skydome.eu)  
[www.skydome.eu](http://www.skydome.eu)

For the product range in other countries, please contact your local representative or visit [www.skydome.eu](http://www.skydome.eu).

SKYDÔME reserves the right to modify product specifications without notice. The information and technical details contained in this documentation are provided in good faith and apply to the uses described. The recommendations for use must be checked to ensure they are appropriate and comply with the actual requirements, the specifications and all applicable legislation and regulations.

For other applications and conditions of use, please contact our technical team. Their advice must be sought concerning uses of our products that are not described specifically herein.

Click this link to check that you are seeing the most up-to-date and accurate information about our products:  
[https://www.skydome.eu/fr/produit/61\\_pyromax.html](https://www.skydome.eu/fr/produit/61_pyromax.html)