



Installation and maintenance instructions

Airdome

Designation and trade reference: Airdome

Year of revision: 2013

DOP AIR

Standard reference: NF EN 1873

Warning: This notice cannot constitute a contractual document; the manufacturer reserves the right to make without notice any modification he deems useful.






Installation and maintenance instructions

Airdome

Summary

1. Identification	Page 3
2. Handling	Page 3
3. Media precautions	Page 3
4. Explanation of the product marking code	Page 5
5. Range	Page 6
6. Installation and implementation	Page 6
7. Maintenance instructions	Page 7
8. Spare	Page 7

1. Identification

Page 2 on 7	Ref : NIE-AIR-4 Airdome Updated: 04/08/2022	SKYDOME Factory Entre-deux-Villes 02270 Sounds-and-Ronchères Phone : 03 23 21 79 90	
----------------	---	--	---



Installation and maintenance instructions

Airdome

1.1 Type AIRDOME® (Aeration)

Type of range

A single valve aeration of the AIRDOME® range.

Type of aperture

Opening and closing by 230 V electric motor or manual by worm.

1.1 Possible variants in the range

- Costières:
 - Curb
 - Styling Costume

- Fills:
 - Honeycomb polycarbonate cover thickness 10 to 16 mm
 - Aluminum cover 40 mm
 - Double dome (depending on dimensions)


- Options:
 - Fall arrest bar says 1200 joules.

2. Handling

Any maneuver that may deteriorate the mechanisms and geometry of the device is to be avoided.

3. Precautions on the support

3.1 The support receiving the DENFC must be flat, within the normative tolerances of building construction.

Page 3 one 7	Ref : NIE-AIR-4 Airdome Updated: 04/08/2022	SKYDOME Factory Entre-deux-Villes 02270 Sounds-and-Ronchères Phone : 03 23 21 79 90	
-----------------	---	--	---



Installation and maintenance instructions

Airdome

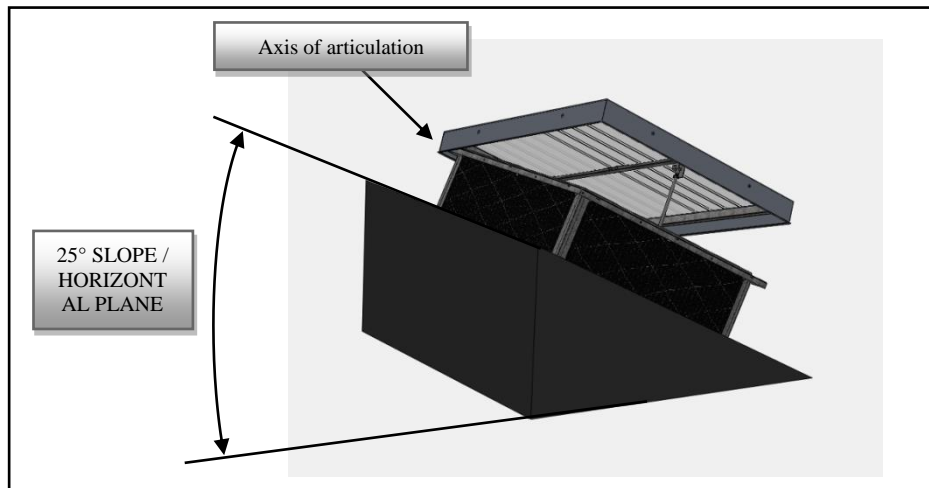
3.2 The installation of DENFC is carried out according to one of the following two rules:

3.2.1 Rule 1

The maximum slope allowed when the axis of articulation is parallel to the roof slope and (A_v) is $< 2m^2$ the geometric surface, is 25° or 46.65%.

The maximum slope allowed when the axis of articulation is parallel to the roof slope and the Geometric surface (A_v) is $> 2m^2$, is 20° or 36.45%.

In both cases, the hinges are positioned on the right if you look towards the ridge.

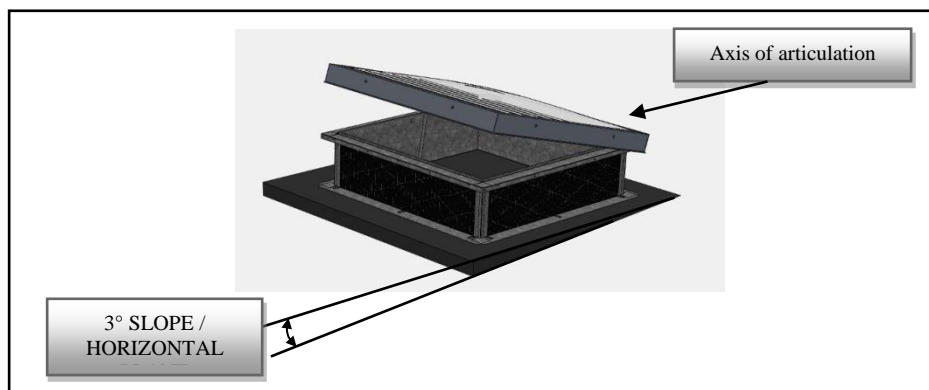


Warning: the device must be installed according to the standards, technical instructions, and any rules or texts in force.

3.2.2 Rule 2

The maximum slope allowed when the axis of articulation is perpendicular to the roof slope is 3° or 5.25%.

In this case, the hinges are positioned at the bottom of the slope.



Warning: the device must be installed according to the standards, technical instructions, and any rules or texts in force.

Page 4 one 7	Ref : NIE-AIR-4 Airdome Updated: 04/08/2022	SKYDOME Factory Entre-deux-Villes 02270 Sounds-and-Ronchères Phone : 03 23 21 79 90	
-----------------	---	--	--



4. Explanation of the product marking system

SKYDÔME® **CE**

DEPARTEMENT ECLAIREMENT ZENITHAL ET DESENFUMAGE INCENDIE D'AXTER
Entre deux villes - 02270 Sons et Ronchères
Tél: (33) 03.23.21.79.90 - Fax: (33) 03.23.20.51.18 - Email: info@skydome.eu

1 ● **EN 1873** **AIRDOME PCA**
Lanterneau avec ou sans costière, destiné à transmettre
la lumière (transmission lumineuse) dans le cas des toitures
à faibles pentes et/ou inclinées

OF121105500.001	Code :	A0L2061
Résistance aux charges ascendantes :		UL = 1500
Résistance aux charges descendantes :		DL = 3000
Réaction au feu :		B-s1-d0
3 ● Résistance au feu :		PND
Performances au feu extérieur :		Froof
Étanchéité à eau :		Réussite
Résistance au choc :		
Corps dur de petite taille :		Réussite
Corps souple de grande taille (1200 J) :		SB 1200J
Conductance thermique		
Lanterneau avec costière :		PND
Plaque éclairage :		2,3
Isolation du bruit aérien direct :		PND
Facteur de transmission lumineuse :		55 %
Perméabilité à l'air :		PND
Durabilité :		Delta A, Cu0, Ku0

2 ●

4 ● **OF121105500.001** Code : **A0L2061**

5 ● Date de fabrication : **NOVEMBRE 2012**

6 ● **AIRD 100x100 PCA10 OPAL RENFORCE COSTIERE + GRILLE RONDE 1200J**
RAL9010

CTRL
1

- 1- Current reference standard
- 2- Item code (for device traceability)
- 3- Performance to be indicated with reference to standard *NF EN 1873*
- 4- Production order number
- 5- Date of manufacture
- 6- Trade description of the device



5. Range

Dimensional range	Manual mechanism	Electrical mechanism
From 50x50 to 200x200 cm	Stroke auger 175 mm Crankshaft with length from 1.5 to 3.5 m	Electric motor 230V with a stroke of 300 mm

6. Installation and implementation

6.1 The installation of the device

Caution: any maneuver that may damage the mechanisms and/or structure of the skylight is prohibited. SKYDOME® cannot be held responsible for the impact of such maneuvers.

6.1.1 *Implementation of the RDOME® AI according to its support*

- *Trimmer:* Through self-piercing screws or rivets or others
Bolts respecting a **maximum distance between 2 fasteners of 330 mm.**
- *Ribbed steel sheets:* Through self-drilling screws or rivets or the like
Bolts respecting a **maximum distance between 2 fasteners of 330 mm.**
- *Masonry support:* Through adapted fastenings respecting a **center distance Maximum between 2 fasteners of 200 mm.**

6.1.2 *Installation of the AIRDOME® in enhanced version*

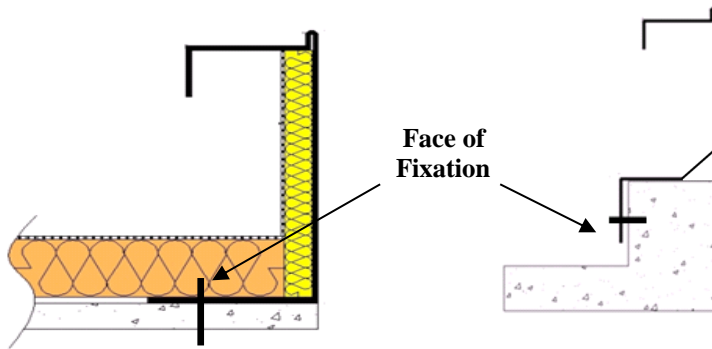
The distance requirements described above are identical for the raised version subject to installation on a suitable existing support, i.e. steel, concrete, wood, or any other material which has already passed the thermal deformation test. The AIRDOME® must be fixed and sealed according to the requirements defined in the waterproofing D.T.U (Unified Technical Document) in force.



Installation and maintenance instructions

Airdome

6.1.3 Schematics for fixing an apparatus according to its version



Standard Suit


Enhanced Version

Any other place for the fastening may cause water leakage.

Please note: our devices are not warranted for an exhibition that may alter the initial characteristics of an element or function of the device.

7. Replacement

All components of the device are available on request from SKYDOME.®

Page 7 one 7	Ref : NIE-AIR-4 Airdome Updated: 04/08/2022	SKYDOME Factory Entre-deux-Villes 02270 Sounds-and-Ronchères Phone : 03 23 21 79 90	
-----------------	---	--	---