



Installation and maintenance instructions

ROOFDOME

Designation and commercial reference: ROOFDOME:

Under-sided insulated polyester base and/or hopper or non-insulated

DOP RDM

Reference standard:

NF EN 1873

Warning:

This notice cannot constitute a contractual document; the manufacturer reserves the right to make without notice any modification he deems useful.



Page 1 on 6	Ref: NIE EMBA-2 Insulated or non-insulated polyester base Note from assembly	SKYDOME Factory Entre-deux-Villes 02270 Sounds-and-Ronchères Phone : 03 23 21 79 90	
----------------	--	--	---



Installation and maintenance instructions

Insulated or non-insulated polyester base

Summary

1. Identification	Page 3
2. Media precautions	Page 3
3. Installation and implementation	Page 4

Page 2 on 6	Ref: NIE EMBA-2 Insulated or non-insulated polyester base Note from assembly	SKYDOME Factory Entre-deux-Villes 02270 Sounds-and-Ronchères Phone : 03 23 21 79 90	
----------------	--	--	---



Installation and maintenance instructions

Insulated or non-insulated polyester base

1. Identification

1.1 Type of product

The polyester bases can fit on all types of sheets* available as dry covers. They are intended to receive an outlet.

* Steel tray profile, profile aluminum tray, fiber cement profile, insulated tank profile.

2. Precautions on the support

2.1. The support receiving the embase must be flat, within the normative tolerances of building construction.

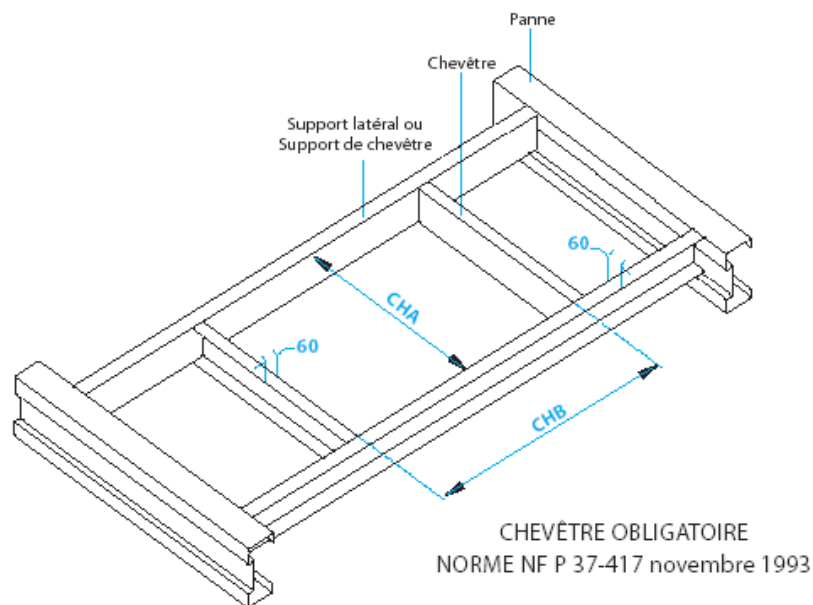
2.2. The header is installed according to the following rule :

2.2.1 Rule 1

The maximum authorized slope varies from 3° or 5.25% to 25° or 46.63%, depending on the type of device intended to cap the base.

Attention: the device must be installed according to the SKYDOME® specifications of this document and according to the standards, technical instructions, D.T.U. waterproofing (Unified Technical Document) and any rules or texts in force.

2.3. The Chevêtre



Page 3 on 6	Ref: NIE EMBA-2 Insulated or non-insulated polyester base Note from assembly	SKYDOME Factory Entre-deux-Villes 02270 Sounds-and-Ronchères Phone : 03 23 21 79 90	
----------------	--	--	--



Installation and maintenance instructions

Insulated or non-insulated polyester base

3. Installation and implementation

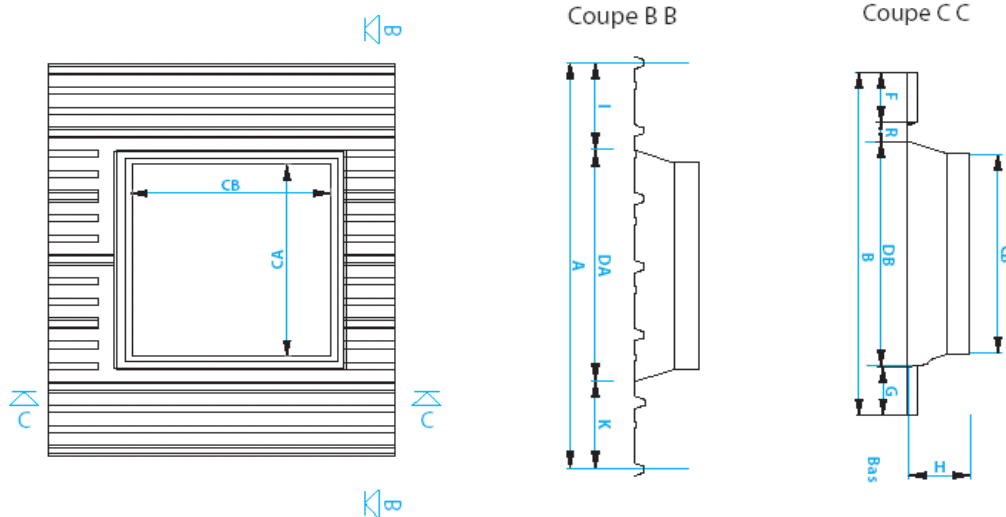
3.1. Installation of the embase

Warning: any maneuver that may damage the structure of the base is prohibited. SKYDOME® cannot be held responsible for the impact of such maneuvers.

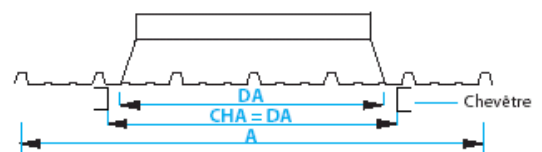
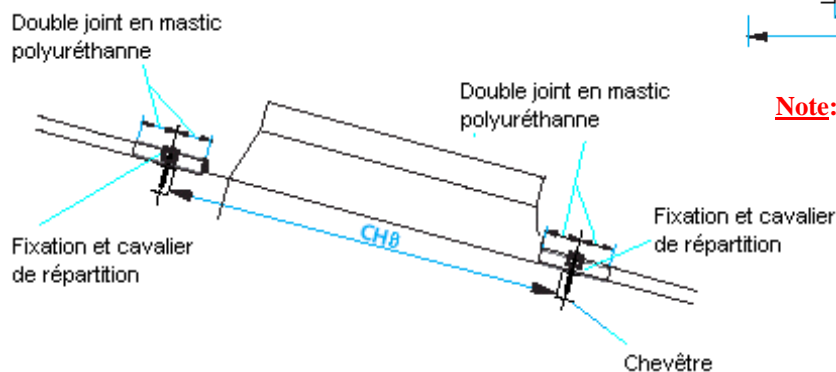
It is recommended to handle a base with 4 people to avoid overstress at the corners, causing cracking and sealing problems.

For bases with sandwich insulation on the underside, do not drag them on the floor to avoid abrasion or tearing off the insulation protection.

3.2. Characteristics of the non-insulated base



3.3. Installation on the pier



Note: CHA Max = DA+10cm

Page 4 on 6	Ref: NIE EMBA-2 Insulated or non-insulated polyester base Note from assembly	SKYDOME Factory Entre-deux-Villes 02270 Sounds-and-Ronchères Phone : 03 23 21 79 90	
----------------	--	--	--

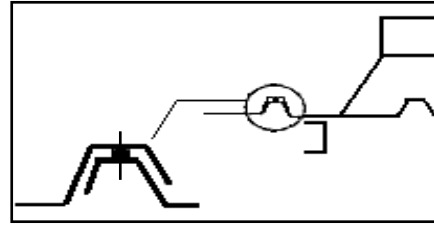


Installation and maintenance instructions

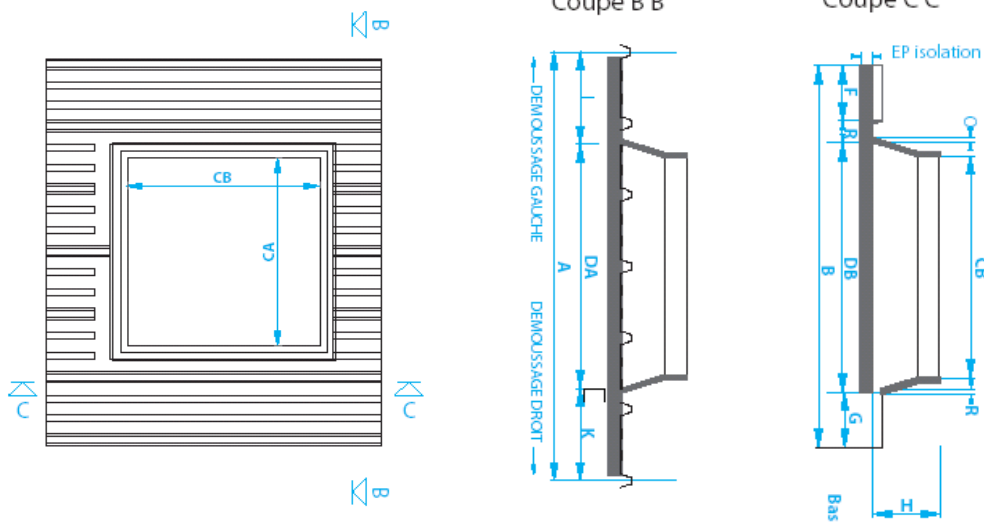
Insulated or non-insulated polyester base

The maintenance of the base is carried out using fasteners and jumpers of distributions on the fault or the chevêtre, at the top of the wave.

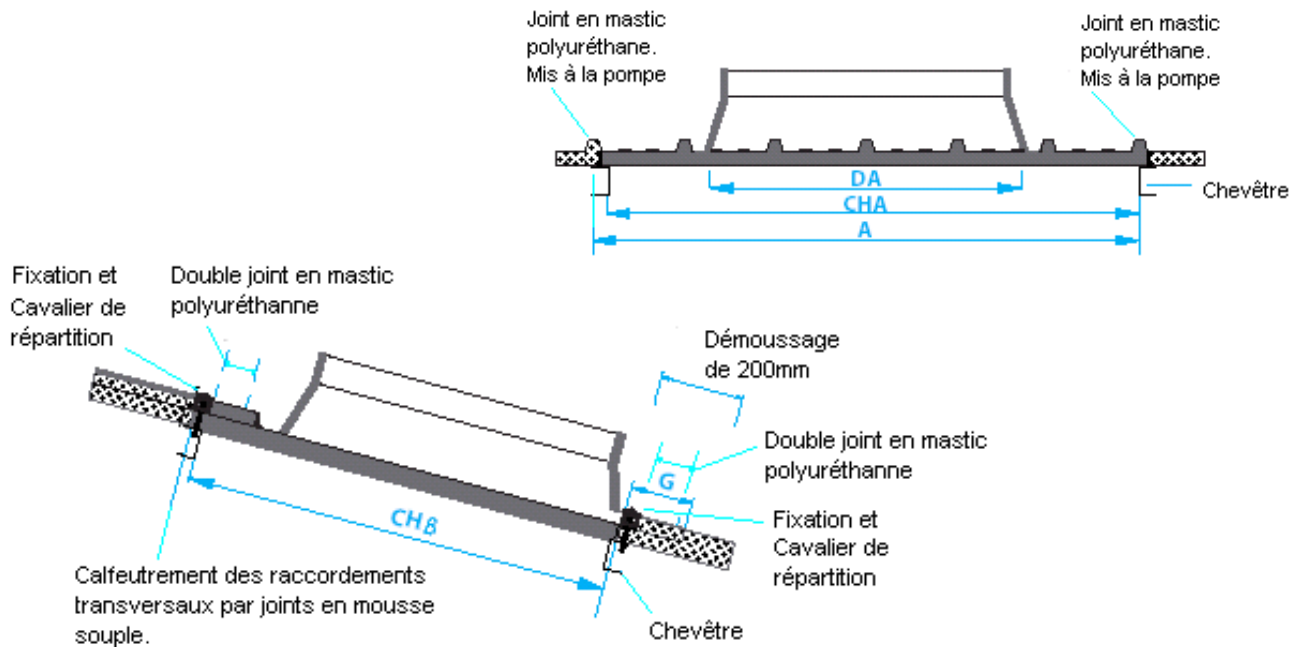
A polyurethane plastic seal and a double seal (cf. diagram opposite) must be applied to the location of the base attachment.



3.4. Characteristics of the insulated base



3.5. Installation on the pier



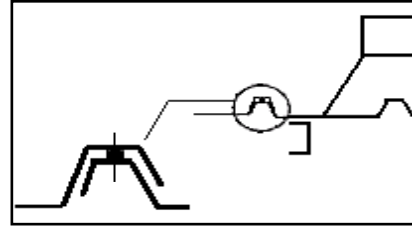


Installation and maintenance instructions

Insulated or non-insulated polyester base

The maintenance of the base is carried out using fasteners and jumpers of distributions on the fault or the chevêtre, at the top of the wave.

A polyurethane plastic seal and a double seal (See diagram opposite) must be applied to the location of the base fixation.



Page 6 on 6	Ref: NIE EMBA-2 Insulated or non-insulated polyester base Note from assembly	SKYDOME Factory Entre-deux-Villes 02270 Sounds-and-Ronchères Phone : 03 23 21 79 90	
----------------	--	--	---