

For **WATERPROOFED ROOFS**

ARCADÔME®



NF 537
Actuated safety devices (DAS)
Control devices (DC)



EN 12101-2
EN 1873 + A1: 2016



VERSION



Filling

ORIGIN' RANGE (depending on dimensions):

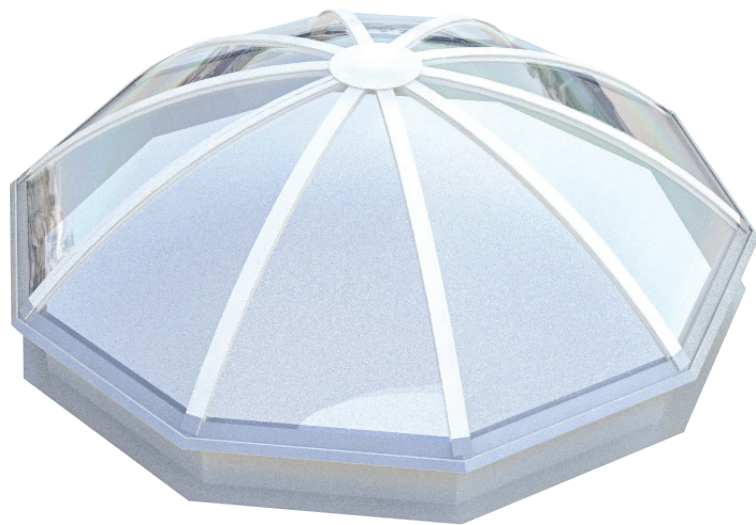
- Opal multi-wall PCA 10



Structure

- Self-draining structural sections (inclined ridge caps or arches)
- Arch profile sections (seal covers with EPDM seals)
- Edge sections designed to: accommodate inclined ridge cap or arch sections, collect and drain runoff water as well as condensation in the lower part, and support the filling in the lower part
- Ridge for effective waterproofing
- Stainless steel threaded fasteners

The ARCADÔME® is a domed rooflight consisting of an extruded aluminium arching frame filled with cold-formed synthetic materials (polycarbonate).



OPTIONS



Filling

- Opal PCA 10 IR
- Transparent PCA 10
- PCA 10 + Lumira*
- Opal PCA 16 IR
- Transparent PCA 16



Other information

- Hot-lacquered frames (in RAL colours to order)
- Diameter (4.5 m max) + number of facets to be defined
- Low-deflection or full-arched design

COMPLIANCE & INSTALLATION

The product must be fastened and sealed in accordance with the requirements defined in the applicable DTU specifications (series 40 and 43).

Maximum insulation height: as per the DTUs, the sealing flashing must extend to a height of at least 150 mm.

The waterproofing complex (substrate, vapour barrier, insulation and two-layer sealant) must be no thicker than 140 mm for an interior upstand height of 310 mm, or 240 mm for an interior upstand height of 410 mm.

The security bar or grid option is recommended.

Size range

- Dimensions: 2.00 – 5.00 m diameter
- 45° or 90° slope

Filling performance (depending on dimensions)

Other filling and filling options: see "Filling" data sheet.

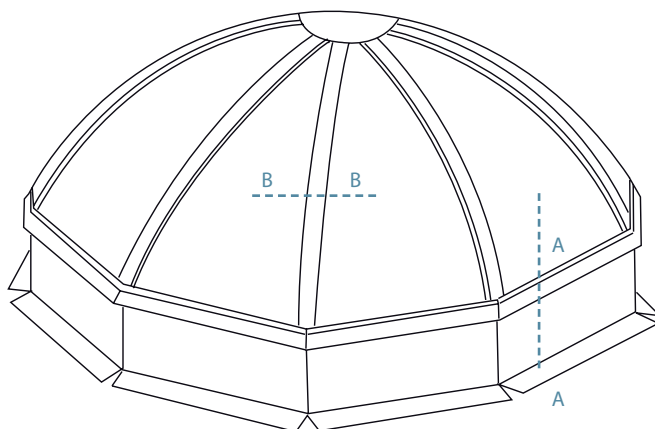
	Type of filling	Thermal transmittance factor Ug (W/ m ² .K)	LT D65 ⁽²⁾	SF or g ⁽²⁾	Reaction to fire	R _w (dB) ⁽³⁾
		U _{hor} ⁽¹⁾				
PCA	Opal 4-wall PCA 10	2.9	61%	61%	B-s1-d0	R _w =19 dB
	Transparent PCA 10 with Lumira™ aerogel	ND	ND	ND	ND	ND
	Opal multi-wall PCA 16	1.5	57%	56%	B-s1-d0	R _w =20 dB
	Transparent PCA 16 with Lumira™ aerogel	1.5	67%	67%	B-s1-d0	ND

⁽¹⁾Relative to the horizontal, as per §2.31 of the Th-Bat regulations.

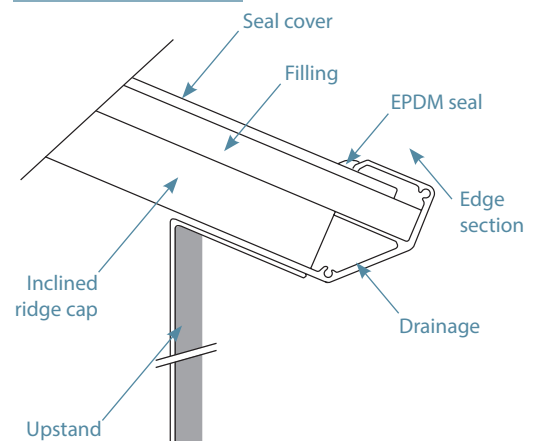
⁽²⁾Light transmittance LT D65 and solar transmittance SF (TST or g) as per EN 410.

⁽³⁾Filling insulated against airborne noise R_w, pink noise R_p (environment, airport and industrial activities) and road noise R_{w,T}, laboratory-measured according to NF EN ISO 140.

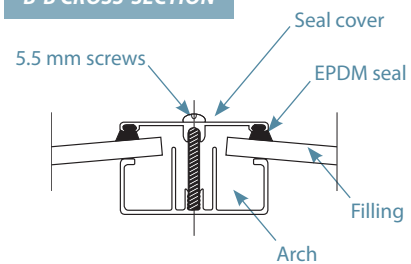
Technical diagrams



A-A CROSS-SECTION



B-B CROSS-SECTION





SKYDÔME

Entre Deux Villes
02270 Sons-Et-Ronchères, France
Tel: +33 (0)3 23 21 79 90
Email: info@skydome.eu
www.skydome.eu

For the product range in other countries, please contact your local representative or visit www.skydome.eu.

SKYDÔME reserves the right to modify product specifications without notice. The information and technical details contained in this documentation are provided in good faith and apply to the uses described. The recommendations for use must be checked to ensure they are appropriate and comply with the actual requirements, the specifications and all applicable legislation and regulations.

For other applications and conditions of use, please contact our technical team. Their advice must be sought concerning uses of our products that are not described specifically herein.

Click this link to check that you are seeing the most up-to-date and accurate information about our products: