

For **WATERPROOFED ROOFS**

ARCASHED®



Filling

ORIGIN' RANGE
(depending on dimensions):

- Opal multi-wall PCA 10



Structure

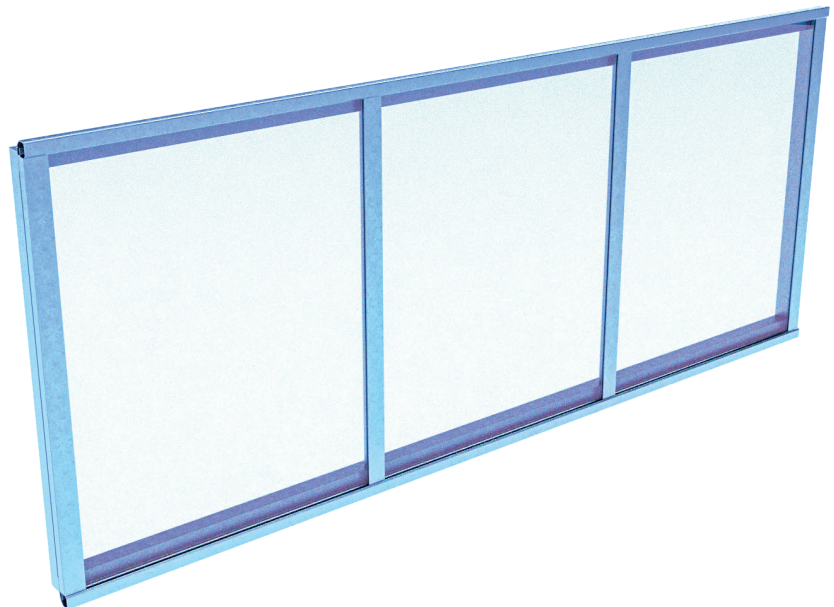
- Self-draining structural sections (inclined ridge caps or arches)
- Arch profile sections (seal covers with EPDM seals)
- Edge sections designed to: accommodate inclined ridge cap or arch sections, collect and drain runoff water as well as condensation in the lower part, and support the filling in the lower part
- Ridge for effective waterproofing
- Stainless steel threaded fasteners



VERSION

The ARCASHED® is a custom-made structure suitable for waterproofed flat roofs on all types of buildings (including public facilities, work premises and industrial buildings). It blends seamlessly into any architectural design.

The ARCASHED® is a strip rooflight with a self-supporting extruded aluminium structure, intended for a slope of at least 11% (or 6.38°).



OPTIONS



Filling

- Opal PCA 10 IR
- Transparent PCA 10
- PCA 10 + Lumira*
- Opal PCA 16 IR
- Transparent PCA 16



Other information

- Hot-lacquered frames (in RAL colours to order)

COMPLIANCE & INSTALLATION

The product must be fastened and sealed in accordance with the requirements defined in the applicable DTU specifications (series 40 and 43).

Size range

- Dimensions: sloping element from 1.00 m to 7 m, no length limit
- 31° to 90° slope
- Self-supporting structure up to 1.00 m in length, for short-span profiles (intermediate purlins required for longer bearing distances)
- Self-supporting structure up to 3.00 m in length, for long-chord profiles (intermediate purlins required for longer bearing distances)

Filling performance (depending on dimensions)

Other filling and filling options: see "Filling" data sheet.

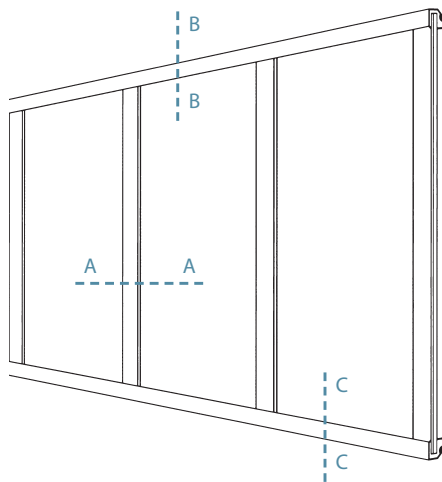
Type of filling	Thermal transmittance factor Ug (W/ m ² .K)	LT D65 ⁽²⁾	SF or g ⁽²⁾	Reaction to fire	$R_w = R_w + C$ $R_{A, tr} = R_{A, tr} + C_{tr}$ (dB) ⁽³⁾	
	U _{hor} ⁽¹⁾					
PCA	Opal 4-wall PCA 10	2.7	56%	59%	B-s1-d0	R _w =17 dB
	Transparent PCA 10 with Lumira™ aerogel	ND	ND	ND	B-s1-d0	ND
	Opal multi-wall PCA 16	2.0	54%	55%	B-s1-d0	R _w =19 dB, R _A =19 dB, R _{A, tr} =17 dB
	Transparent PCA 16 with Lumira™ aerogel	1.5	67%	67%	B-s1-d0	R _w =21 dB, R _A =21 dB, R _{A, tr} =19 dB

⁽¹⁾Relative to the horizontal, as per §2.31 of the Th-Bat regulations.

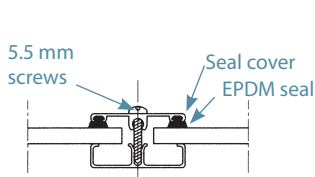
⁽²⁾Light transmittance LT D65 and solar transmittance SF (TST or g) as per EN 410.

⁽³⁾Filling insulated against airborne noise R_w, pink noise R_A (environment, airport and industrial activities) and road noise R_{A, tr}, laboratory-measured according to NF EN ISO 140.

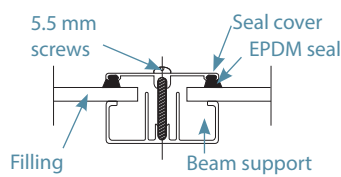
Technical diagrams



A-A CROSS-SECTION

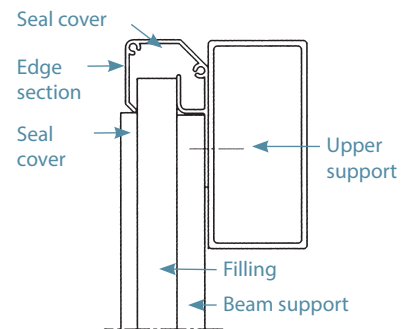


Max. bearing distance: 1.50 m

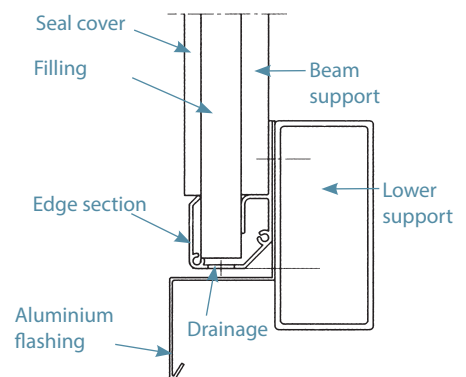


Max. bearing distance: 3 m

B-B CROSS-SECTION



C-C CROSS-SECTION



SKYDÔME

Entre Deux Villes
02270 Sons-Et-Ronchères, France
Tel: +33 (0)3 23 21 79 90
Email: info@skydome.eu
www.skydome.eu

For the product range in other countries, please contact your local representative or visit www.skydome.eu.

SKYDÔME reserves the right to modify product specifications without notice. The information and technical details contained in this documentation are provided in good faith and apply to the uses described. The recommendations for use must be checked to ensure they are appropriate and comply with the actual requirements, the specifications and all applicable legislation and regulations.

For other applications and conditions of use, please contact our technical team. Their advice must be sought concerning uses of our products that are not described specifically herein.

Click this link to check that you are seeing the most up-to-date and accurate information about our products: