

on **WATERPROOF ROOFS AND FACADES**

VENTAIR®

AF / AF45 / DE

A weatherproof and air-permeable fixed-louvre grille



Structure

•The Ventair is made of anti-corrosive aluminum. It can be installed on both roofs and facades. This device has been designed to be as discreet as possible in its AF version; Flush with the roof, its depth does not exceed 350mm in internal dimensions. The body of the grille is embedded in the roof.

The VENTAIR® is a fixed-louvre aluminum grille for air intake or exhaust on facades or roofs. Ideal for historic monuments, classified or protected buildings, it allows for continuous ventilation even in the rain.



This grille is dedicated to the air intake or exhaust of natural ventilation ducts, single flow mechanical, dual flow, or mechanical smoke extraction systems.

OPTIONS

TYPES

- Ventair AF
- Ventair AF 45°
- Ventair DE

Autres

- Thermo lacquering treatment of the frames (RAL colors of your choice)
- Pest control grille on the underside of the product

Designation

The location of the VENTAIR on the roof leads to two distinct designations.

AF (*flush*) ou AF 45° (*flush*)

The Ventair AF is flush with the roof, and the roof slope is between 0° and 44°; Beyond that, it switches to AF 45° for roof slopes between 45° and 90°.

The louvres are oriented in the direction of the slope, perpendicular to the ridge, allowing excellent weatherproofing.

Water discharge can be done in two different ways depending on the roof slope:

- If the slope is between 0 and 44°: the discharge is done through an EP (rainwater downpipe) descent under the covering, to be planned by the roofer.
- If the slope is between 45 and 90°: water is discharged through the product onto the roof.

DE (*overhanging*)

The Ventair protrudes from the roof, mounted on an upstand.

The louvres are oriented in the direction of the slope, perpendicular to the ridge, allowing excellent weatherproofing.

Water discharge: the water is stopped by the blades and discharged onto the roof.



Ventair AF

Ventair AF 45°

Ventair DE

Attention

The product is not designed to receive runoff water from the roof located above it. Speeds are defined according to the use of the product, for sizing approach the Skydôme technical team.

Ventilation performance

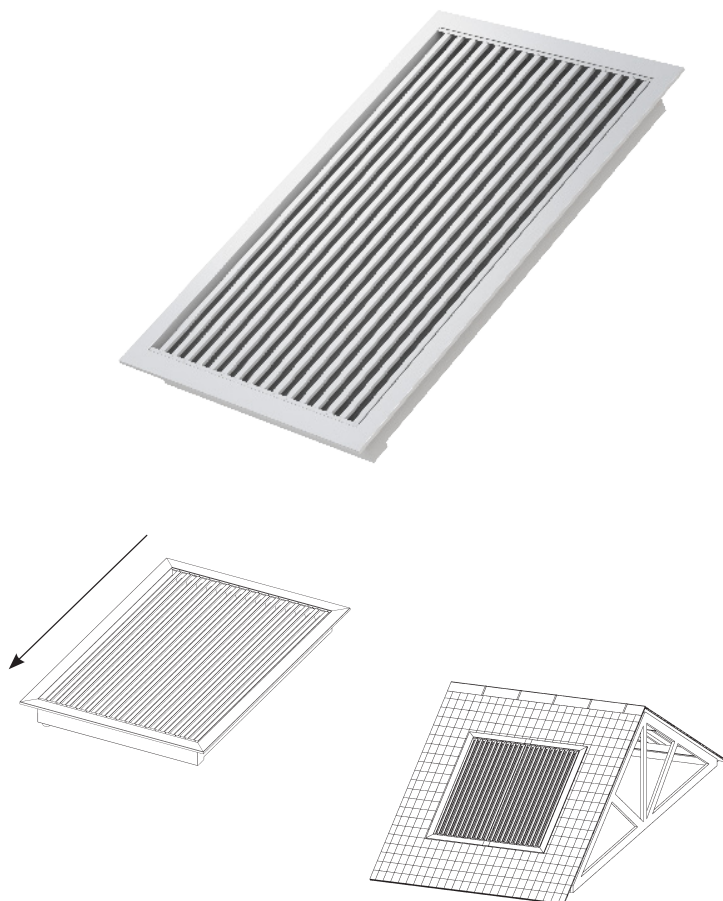
The dimensions of the product as well as their number can be defined by a calculated note. Please contact our technical service.

Dimensional range

VENTAIR AF (flush)
Roof slope <math><45^\circ</math>

Air Passage Width:
500 mm <math>< A < 3000</math> mm with a step of 125 mm

Air Passage Height :
500 <math>< B < 3000</math> mm with a step of 100 mm



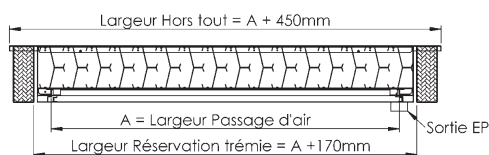
Air Passage Width	Hopper reservation width	Overall Width
500	670	950
625	795	1075
750	920	1200
875	1045	1325
1000	1170	1450
1125	1295	1575
1250	1420	1700
1375	1545	1825
1500	1670	1950
1625	1795	2075
1750	1920	2200
1875	2045	2325
2000	2320	2600
2125	2445	2725
2250	2570	2850
2375	2695	2975
2500	2820	3100
2625	2945	3225
2750	3070	3350
2875	3195	3475
3000	3320	3600

Air Passage Height	Hopper Reservation Height	Overall Height
500	745	1025
600	845	1125
700	945	1225
800	1045	1325
900	1145	1325
1000	1245	1525
1100	1345	1625
1200	1445	1725
1300	1545	1825
1400	1645	1925
1500	1745	2025
1600	1845	2125
1700	1945	2225
1800	2045	2325
1900	2145	2425
2000	2245	2525
2100	2345	2625
2200	2445	2725
2300	2545	2825
2400	2645	2925
2500	2745	3025
2600	2845	3125
2700	2945	3225
2800	3045	3325
2900	3145	3425
3000	3245	3525

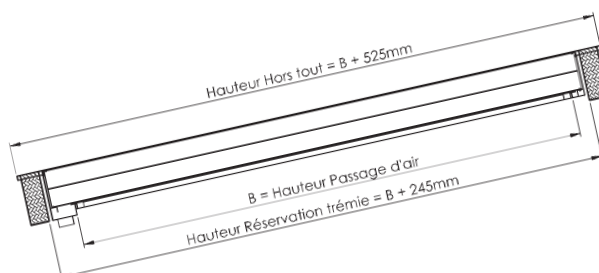
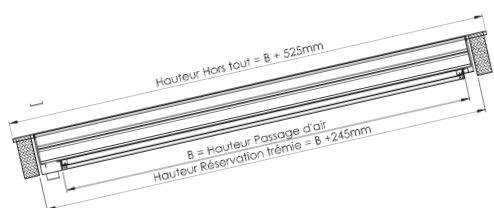
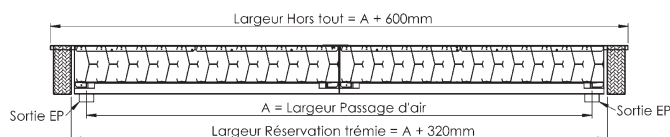
Technical Schematics

Sizing

For a width from 500 to 1875 m:

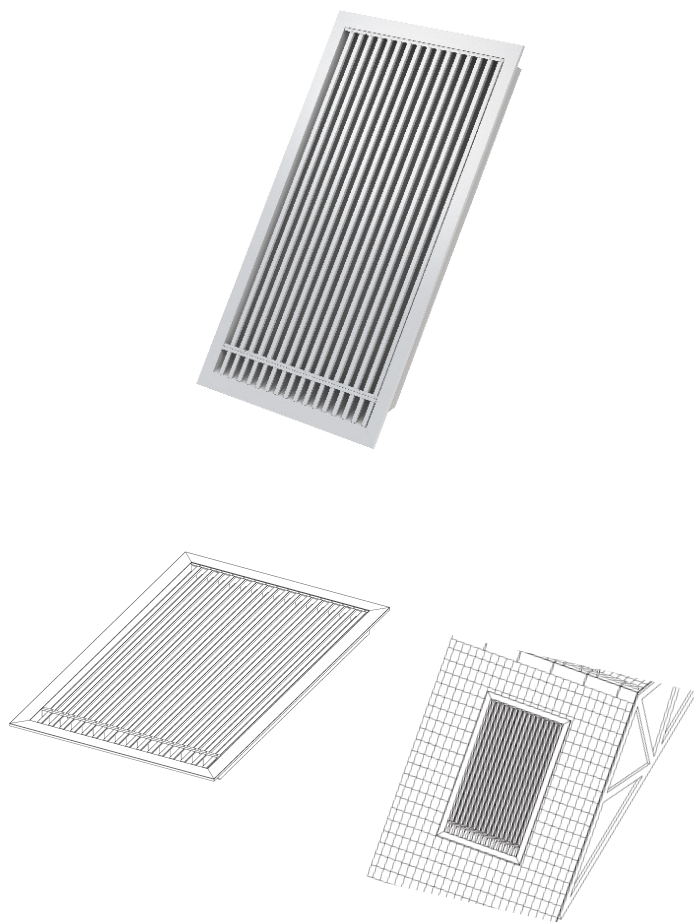


For a width from 2000 to 3000 mm (in 2 parts):



Dimensional range

VENTAIR AF 45° (flush)
Roof slope > 45°



Air Passage Width :
500 mm < A < 3000 mm with a step of 125 mm

Air Passage Height :
500 < B < 3000 mm with a step of 100 mm

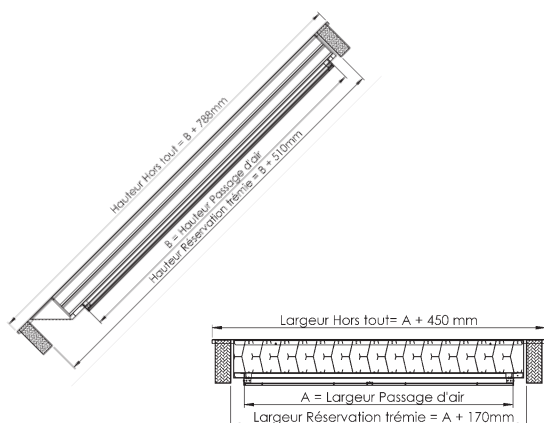
Air Passage Width	Hopper Reservation With	Overall Width
500	670	950
625	795	1075
750	920	1200
875	1045	1325
1000	1170	1450
1125	1295	1575
1250	1420	1700
1375	1545	1825
1500	1670	1950
1625	1795	2075
1750	1920	2200
1875	2045	2325
2000	2320	2600
2125	2445	2725
2250	2570	2850
2375	2695	2975
2500	2820	3100
2625	2945	3225
2750	3070	3350
2875	3195	3475
3000	3320	3600

Air Passage Height	Hopper Reservation Height	Overall Height
500	1010	1288
600	1110	1388
700	1210	1488
800	1310	1588
900	1410	1688
1000	1510	1788
1100	1610	1888
1200	1710	1988
1300	1810	2088
1400	1910	2188
1500	2010	2288
1600	2110	2388
1700	2210	2488
1800	2310	2588
1900	2410	2688
2000	2510	2788
2100	2610	2888
2200	2710	2988
2300	2810	3088
2400	2910	3188
2500	3010	3288
2600	3110	3388
2700	3210	3488
2800	3310	3588
2900	3410	3688
3000	3510	3788

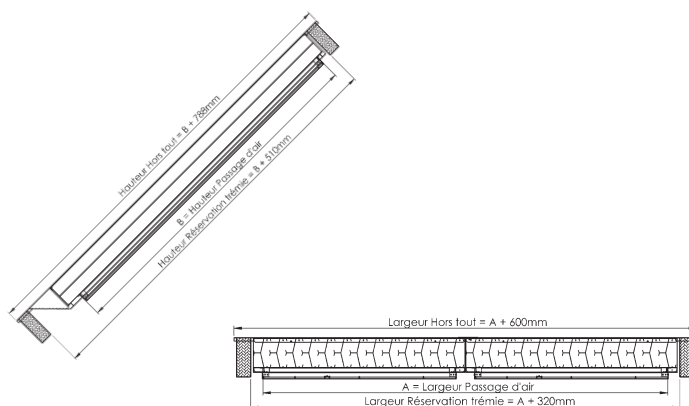
Technical schematics

Sizing

For a width from 500 to 1875 mm :



For a width from 2000 to 3000 mm (in 2 parts):

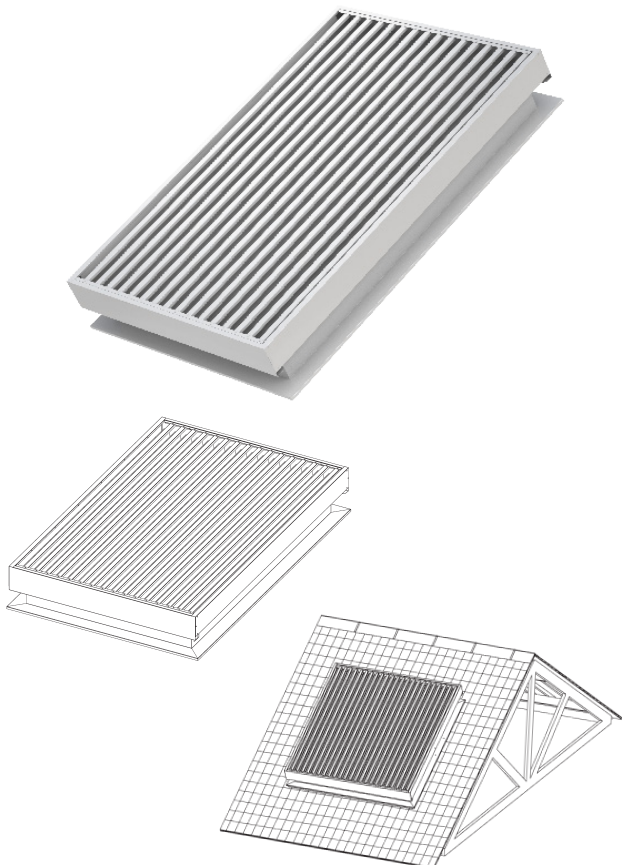


Dimensional range

VENTAIR DE (overhanging)
Roof slope from 0° to 45°

Air Passage Width:
500 mm < A < 3000 mm with a pitch of 125 mm

Air Passage Height:
500 < B < 3000 mm with a pitch of 100 mm



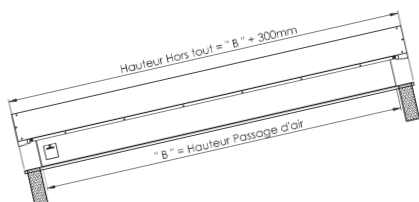
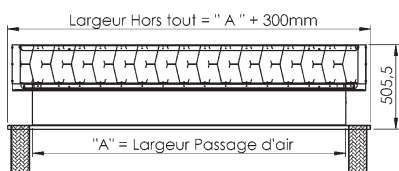
Air Passage Width	Hopper Reservation Width	Overall Width
500	500	800
625	625	925
750	750	1050
875	875	1175
1000	1000	1300
1125	1125	1425
1250	1250	1550
1375	1375	1675
1500	1500	1800
1625	1625	1925
1750	1750	2050
1875	1875	2175
2000	2300	2600
2125	2425	2725
2250	2550	2850
2375	2675	2975
2500	2800	3100
2625	2925	3225
2750	3050	3350
2875	3175	3475
3000	3300	3600

Air Passage Height	Hopper Reservation Height	Overall Height
500	500	800
600	600	900
700	700	1000
800	800	1100
900	900	1200
1000	1000	1300
1100	1100	1400
1200	1200	1500
1300	1300	1600
1400	1400	1700
1500	1500	1800
1600	1600	1900
1700	1700	2000
1800	1800	2100
1900	1900	2200
2000	2000	2300
2100	2100	2400
2200	2200	2500
2300	2300	2600
2400	2400	2700
2500	2500	2800
2600	2600	2900
2700	2700	3000
2800	2800	3100
2900	2900	3200
3000	3000	3300

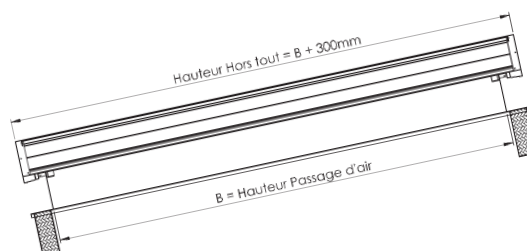
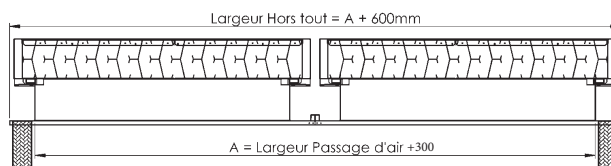
Technical Schematics

Sizing

For a width from 500 to 1875 mm:



For a width from 2000 to 3000 mm (in 2 parts):





SKYDÔME

Entre Deux Villes
02270 Sons-et-Ronchères
T : 03 23 21 79 90
M : info@skydome.eu
www.skydome.eu

For product offerings in other countries, please consult your local representative or visit the website www.skydome.eu.

SKYDOME reserves the right to modify product specifications without prior notice. The information and technical details contained in this documentation are provided in good faith and apply to the described uses. Usage recommendations should be verified for their suitability and compliance with actual requirements, specifications, and all applicable laws and regulations. For other applications or usage conditions, please contact our technical team, whose advice should be sought for the use of our products not specifically described here. To ensure that you are accessing the most up-to-date and accurate product information, please visit this link: