

For **WATERPROOFED ROOFS OR EXISTING UPSTANDS**

# PYRODÔME®

CE  
EN 12101-2  
EN 1873 + A1: 2016

Évolution Électrique

**THERMIK' VERSION**



## Types of filling

### THERMIK' RANGE:

- PCA 16
- PCA 16+
- PCA 32
- PCA 32+
- PMMA triple dome
- Acoustik'Light



## Upstand

- Straight upstand
- 1.2 mm galvanised steel

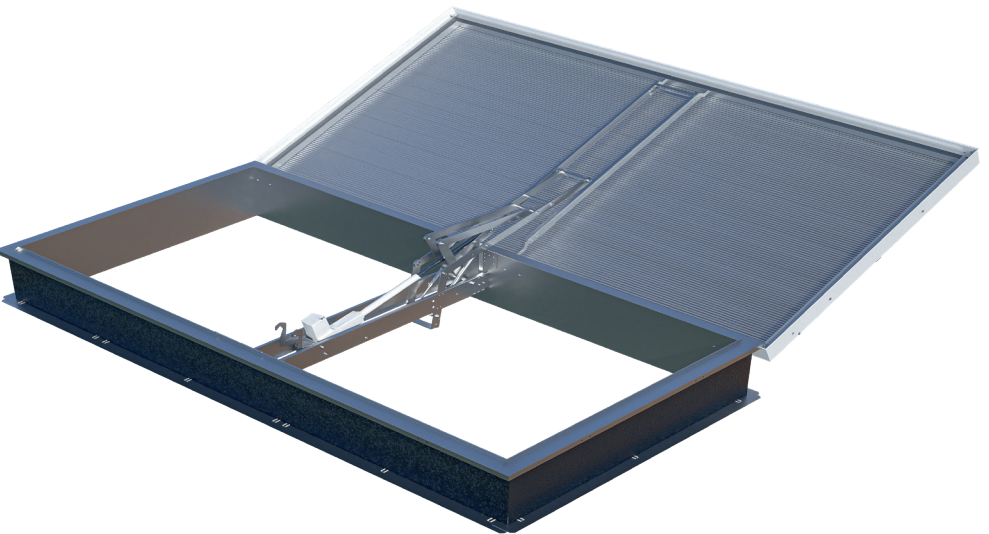
### THERMIK' RANGE:

- Height 360 mm with a 30 mm bituminous insulating coating



## Control

- Built-in and offset mechanism for 100x100 cm and 120x120 cm roof opening dimensions (for SL250 only)
- Restricted to 80° for roof access
- Restricted to 20° for ventilation



Also available:

**ORIGIN'**

## OPTIONS



### Types of filling

- Opal PCA 16 IR
- Grey PCA 16
- Transparent PCA 16
- Insulated aluminium cover



### Control

- Limit switch



### Upstand

- Upstand height: 410 mm or more
- Lacquered interior (standard RAL colours)
- Colaminated sheet steel top for PVC waterproofing
- Galvanised sheet steel top for PVC waterproofing
- Bare insulation for PVC waterproofing



### Other information

- 6 mm round bar or 16x16 mm 1200 joule square tube grid, galvanised or lacquered in standard RAL
- 16x16 mm security bars on opening system
- Ladder attachment bar, lacquered grey
- Support crosspiece, lacquered grey

### Capping upstand

See page 6 for details.

### Available versions

**ACOUSTIK'**

## Dimensions

Roof opening dimensions A x B (cm)		Roof opening dimensions C x D (cm)		Height H* (cm)		Light surface (m <sup>2</sup> )	E (cm)	Product weight (kg)	
Straight upstand	XL skewed upstand	Straight upstand	XL skewed upstand	Straight upstand	XL skewed upstand			Straight upstand	Skewed XL upstand
100 x 100	114 x 114	118 x 118	132 x 132	42	42	1.00	165	63	67
120 x 120	134 x 134	138 x 138	152 x 152	42	42	1.44	186	76	81
140 x 140	154 x 154	158 x 158	172 x 172	42	42	1.96	207	90	95
150 x 150	164 x 164	168 x 168	182 x 182	42	42	2.25	228	96	102
160 x 160	174 x 174	178 x 178	192 x 192	42	42	2.56	240	103	109
180 x 180	194 x 194	198 x 198	212 x 212	44	44	3.24	274	116	123
195 x 200	209 x 214	213 x 218	227 x 232	44	44	3.90	285	129	137
100 x 150	114 x 164	118 x 168	132 x 182	42	42	1.50	165	76	81
100 x 200	114 x 214	118 x 218	132 x 232	44	44	2.00	165	90	96
120 x 200	134 x 214	138 x 218	152 x 232	43	43	2.40	186	98	105
140 x 200	154 x 214	158 x 218	172 x 232	44	44	2.80	207	106	113
120 x 250	134 x 264	138 x 268	152 x 282	44	44	3.00	186	112	110

Contact us for other dimensions.  
\* For an upstand height of 360 mm

## Filling performance

Other filling and filling options: see "Filling" data sheet

	Type of filling	Thermal transmittance factor Ug (W/ m <sup>2</sup> .K)	LT D65 <sup>(2)</sup>	SF or g <sup>(2)</sup>	Reaction to fire	R <sub>w</sub> (dB) <sup>(3)</sup>
		U <sub>hor</sub> <sup>(1)</sup>				
PCA	Opal multi-wall PCA 16	1.9	45%	46%	B-s1-d0	R <sub>w</sub> =21 dB
	Transparent PCA 16 with Lumira™ aerogel	1.5	67%	67%	B-s1-d0	R <sub>w</sub> =21 dB
	Opal multi-wall PCA 20	1.6	54 %	47%	B-s2-d0	R <sub>w</sub> =21 dB
	Transparent multi-wall PCA 32	1.3	33%	49%	B-s2-d0	ND
	Transparent PCA 32 with 50% Lumira™ aerogel	0.97	43%	45%	ND	ND
Cover	40 mm aluminium cover	0.85	0%	ND	ND	ND
Dome	Opal solid PC triple dome Opal upper dome + transparent intermediate dome + transparent lower dome	2.76	ND	ND	B-s1-d0	ND
Acoustik/ Light	Acoustik'Light Transparent PCA 10 & Transparent PCA 6	2.1	ND	ND	ND	ND

<sup>(1)</sup>As per §2.31 of the Th-Bat regulations.

<sup>(2)</sup>Light transmittance LT D65 and solar transmittance SF (TST or g) as per EN 410.

<sup>(3)</sup>Filling insulated against airborne noise R<sub>w</sub>, pink noise R<sub>k</sub> (environment, airport and industrial activities) and road noise R<sub>w</sub>, laboratory-measured according to NF EN ISO 140.

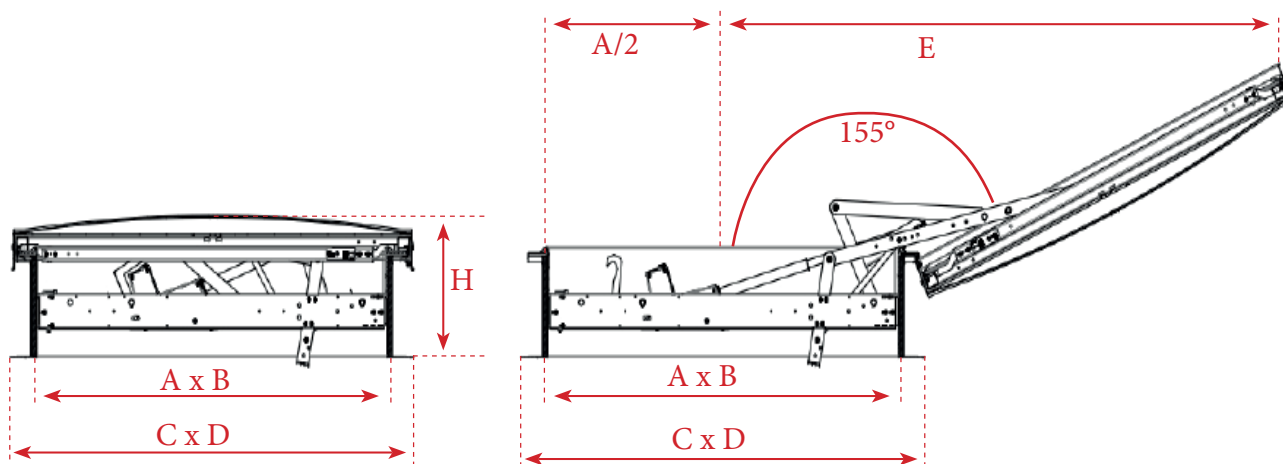
## Control system

We supply versatile installation kits for controlling the **PYRODÔME® ÉVOLUTION ÉLECTRIQUE** and **PYRODÔME® ÉVOLUTION ÉLECTRIQUE CAPPING UPSTAND**. These easy-to-use kits combine a core kit with a range of (mechanical, pneumatic or electrical) satellite kits. See the *Installation Kits* datasheet for a full list of our kits.

Technical diagrams

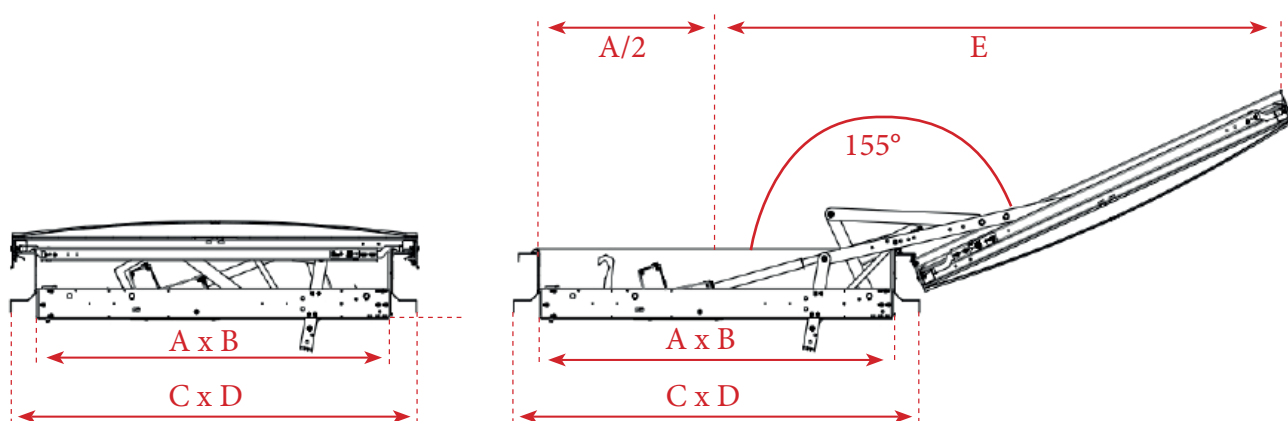
THERMIK' range

PYRODÔME ÉVOLUTION ÉLECTRIQUE PCA



THERMIK' range capping upstand

PYRODÔME ÉVOLUTION ÉLECTRIQUE PCA



PERFORMANCE

**Exhaust ventilator opening:** type B (open + close)

**Reliability:** Re 1000 + 10000 (with ventilation kit)

**Low ambient temperature:** T(-15°C)

**Resistance to heat:** B<sub>300</sub>

**Thermo-fuse set temperature:** 93 °C to 183 °C

**Resistance to wind load:** WL1500 (1 crosspiece) / WL3000 (2 crosspieces)

**Opening under load:** SL250 to SL500 depending on filling

**Also available in WL 3000 for dimensions < 140 x 140 cm.**

**Contact us for details.**

COMPLIANCE & INSTALLATION

CE certified NSHEV compliant with NF EN 12101-2. (Product certification No. 0402 CPR 500029\*)

The product must be fastened and sealed in accordance with the requirements defined in the applicable DTU specifications (series 40 and 43).

Maximum insulation height: as per the DTUs, the sealing flashing must extend to a height of at least 150 mm.

The waterproofing complex (substrate, vapour barrier, insulation and two-layer sealant) must be no thicker than 190 mm for an interior upstand height of 360 mm, or 240 mm for an upstand height of 410 mm.

Maximum permissible slope: 25° or 46% (see installation instructions).

Only the grid and security bar option provides guaranteed 1200 joule protection.

DoP available at [www.skydome.eu](http://www.skydome.eu)

## Trade name

Trade name	Filling	Upstand insulation
PYRODÔME ÉVOLUTION ÉLECTRIQUE	THERMIK' 16	16 mm PCA (Opal PCA)
	THERMIK' 16+	16 mm PCA with LUMIRA (Transparent PCA)
	THERMIK' 20	20 mm PCA (Opal PCA)
	THERMIK' 20+	20+ mm PCA with LUMIRA (Transparent PCA)
	THERMIK' 32	32 mm PCA (Transparent PCA)
	THERMIK' 32+	16 mm PCA + 16 mm PCA with LUMIRA (Transparent PCA)
	THERMIK' 3xD	Triple dome Opal upper dome + transparent interior dome + transparent lower dome
	THERMIK' 40 OPAQUE	40 mm aluminium cover
	THERMIK' ACOUSTIK' LIGHT	10 mm PCA + 6 mm solid PC

Upstand height: 360 mm  
Insulation:  
• on vertical part of upstand  
• on upstand lip

## Acoustic performance

	PCA 16	PCA 16+	PCA 20	PCA 32	PCA 32 & dome	PCA 32+	PCA 32+ & dome	Opaque 40 mm aluminium cover	Triple dome	Acoustik' Light
Acoustic attenuation $R_w (C; C_{tr})$ (dB)	17(-2;2)	19(0;-1)	ND	20(-2;-1)	25(-1;-3)	21(0;0)	26(-1;-3)	23(-1;-3)	20(0;-2)	25(-1;-1)
Rain-generated sound intensity $L_{ia}$ (dB)	77	74	ND	75	63	72	61	63	63	66

$R_w$  = acoustic attenuation index laboratory-measured according to EN410 (airborne noise) -  $R'_a = R_w + C$  = "pink noise" attenuation index -  $R_{A,ry} = R_w + C_{ry}$  = "road noise" attenuation index  
\*Overall performance of the unit fitted with ACOUSTIK' LIGHT filling is stated for the THERMIK' range only

## Power consumption of motor

Dimensions (cm)		Power consumption of the THERMIK' range PYRODÔME ÉVOLUTION ÉLECTRIQUE PCA16 / PCA16+ / PCA 32 / PCA32+ / 40mm cover									
Width	Length	SL250		SL500		SL800		SL1000		SL1500	
		24 V	48 V	24 V	48 V	24 V	48 V	24 V	48 V	24 V	48 V
100	100	2	1	2	1	2	1	2	1	4	2
	150	2	1	2	1	2	1	4	2	6	3
	200	2	1	2	1	4	2	6	3	8	4
110	110	2	1	2	1	2	1	4	2	6	3
120	120	2	1	2	1	4	2	6	3	6	3
	200	2	1	4	2	6	3	8	4	12	6
	250	2	1	4	2	8	4	8	4	12	6
140	140	2	1	4	2	6	3	6	3	12	6
	200	4	2	4	2	8	4	12	6	12	6
150	150	2	1	4	2	8	4	8	4	12	6
160	160	4	2	4	2	8	4	12	6	12	6
170	170	4	2	4	2	12	6	12	6		
180	180	6	3	8	4	12	6				
200	195	6	3	12	6	12	6				

1 crosspiece: 2A (24V) - 1A (48V)

1 crosspiece: 6A (24V) - 3A (48V)

2 crosspieces: 12A (24V) - 6A (48V)

1 crosspiece: 4A (24V) - 2A (48V)

2 crosspieces: 8A (24V) - 4A (48V)

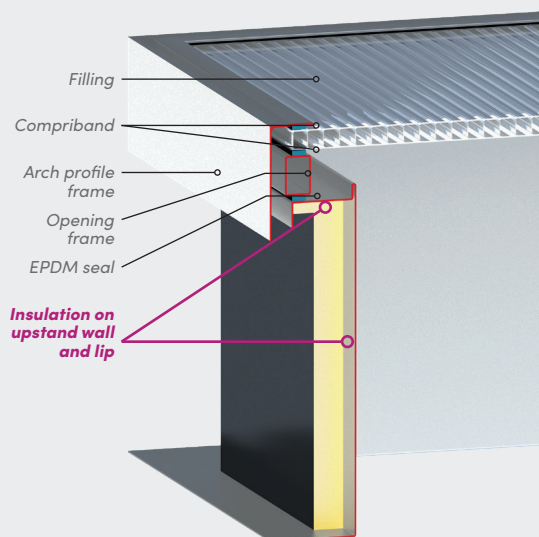
## Aeraulic performance

Roof opening dimensions A x B (cm)		Av (m <sup>2</sup> )	PYRODÔME EVOLUTION PNEUMATIQUE	PYRODÔME EVOLUTION ÉLECTRIQUE XL	
			Aa (m <sup>2</sup> )	Av (m <sup>2</sup> )	Aa (m <sup>2</sup> )
Straight upstand	XL skewed upstand		SD		SD
100 x 100	114 x 114	1.00	0.55	1.30	0.70
120 x 120	134 x 134	1.44	0.78	1.80	0.97
140 x 140	154 x 154	1.96	1.04	2.37	1.27
150 x 150	164 x 164	2.25	1.18	2.69	1.43
160 x 160	174 x 174	2.56	1.34	3.03	1.61
180 x 180	194 x 194	3.24	1.67	3.76	1.99
195 x 200	209 x 214	3.90	2.04	4.47	2.40
100 x 150	114 x 164	1.50	0.81	1.87	1.01
100 x 200	114 x 214	2.00	1.00	2.44	1.32
120 x 200	134 x 214	2.40	1.21	2.87	1.45
140 x 200	154 x 214	2.80	1.42	3.30	1.68
120 x 250	134 x 264	3.00	1.41	3.54	1.71

**$U_{RC}$ : 1.5 W/m<sup>2</sup>.K\***

**ENHANCED THERMAL INSULATION:**

- ✓ **Wide range of filling options** with different thermal insulation, light transmittance and solar factor performance
- ✓ **Compliant with applicable DTU specifications**
- ✓ **Superior watertightness**



**Thermal performance:  $U_{RC}$  (W/m<sup>2</sup>.K) and  $A_{RC}$  (m<sup>2</sup>)**

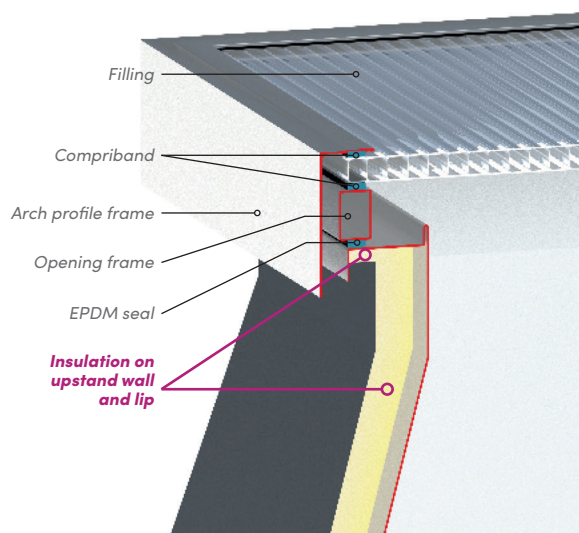
PYRODÔME® ÉVOLUTION ÉLECTRIQUE																				
Dimensions (cm)	Upstand height: 360 mm									Upstand height: 410 mm										
	$U_{RC}$									$A_{RC}$	$U_{RC}$									$A_{RC}$
	Acoustik' Light	PCA 16	PCA 16+	PCA 20	PCA 32**	PCA 32+	Opaque 40 mm aluminium cover	Triple dome	Acoustik' Light		PCA 16	PCA 16+	PCA 20	PCA 32**	PCA 32+	Opaque 40 mm aluminium cover	Triple dome			
100 x 100	2.3	2.1	2	1.9	1.8	1.7	1.5	2.8	3.1	2.1	2.1	1.9	1.9	1.8	1.6	1.5	2.7	3.3		
120 x 120	2.3	2.1	2	1.9	1.8	1.6	1.5	2.8	3.8	2.1	2	1.9	1.9	1.8	1.5	1.5	2.7	4.1		
140 x 140	2.3	2.1	2	1.9	1.7	1.6	1.4	2.8	4.7	2.1	2	1.9	1.9	1.8	1.5	1.4	2.7	5.0		
150 x 150	2.3	2.1	2	1.8	1.7	1.6	1.4	2.8	5.2	2.1	2	1.9	1.9	1.8	1.5	1.4	2.7	5.5		
160 x 160	2.3	2.1	2	1.8	1.7	1.6	1.4	2.8	5.6	2.1	2	1.9	1.8	1.7	1.5	1.4	2.7	6.0		
180 x 180	2.3	2	2	1.8	1.7	1.5	1.4	2.8	6.6	2.1	2	1.8	1.8	1.7	1.4	1.4	2.7	7.0		
195 x 200	2.3	2	2	1.8	1.7	1.5	1.3	/	7.6	2	2	1.8	1.8	1.7	1.4	1.4	/	8.0		
100 x 150	2.3	2	2	1.9	1.8	1.6	1.4	2.3	4.0	2.1	2	1.9	1.9	1.8	1.5	1.5	2.7	4.2		
100 x 200	2.3	2.1	2	1.9	1.7	1.6	1.4	2.3	4.9	2.1	2	1.9	1.9	1.8	1.5	1.4	2.7	5.2		
120 x 200	2.3	2.1	2	1.8	1.7	1.6	1.4	2.3	5.5	2.1	2	1.9	1.9	1.8	1.5	1.4	2.7	5.8		
140 x 200	2.3	2	2	1.8	1.7	1.5	1.4	2.3	6.0	2.1	2	1.9	1.8	1.7	1.5	1.4	2.7	6.4		
120 x 250	2.2	2.1	2	1.8	1.7	1.6	1.4	2.2	6.5	2.1	2	1.9	1.8	1.7	1.5	1.4	/	6.9		

\* For a 180 x 180 cm unit with a 360 mm high upstand and PCA 32+ filling  
 \*\* Adding a dome has no effect on the unit's thermal conductivity  $U_{RC}$ .

**U<sub>RC</sub>: 1.5 W/m<sup>2</sup>.K\***

**ENHANCED THERMAL INSULATION:**

- ✓ **Wide range of filling options** with different thermal insulation, light transmittance and solar factor performance
- ✓ **Compliant with applicable DTU specifications**
- ✓ **Superior watertightness**



**Thermal performance: U<sub>RC</sub> (W/m<sup>2</sup>.K) and ARC (m<sup>2</sup>)**

**PYRODÔME® ÉVOLUTION ÉLECTRIQUE XL**

Dimensions (cm)	Upstand height: 360 mm									Upstand height: 410 mm										
	U <sub>RC</sub>									A <sub>RC</sub>	U <sub>RC</sub>									A <sub>RC</sub>
	Acoustik' Light	PCA 16	PCA 16+	PCA 20	PCA 32**	PCA 32+	Opaque 40 mm aluminium cover	Triple dome			Acoustik' Light	PCA 16	PCA 16+	PCA 20	PCA 32**	PCA 32+	Opaque 40 mm aluminium cover	Triple dome		
100 x 100	2.2	2	1.9	1.9	1.8	1.6	1.6	2.5	3.2	2	1.9	1.8	1.8	1.7	1.6	1.6	2.3	3.4		
120 x 120	2.2	2	1.9	1.9	1.7	1.6	1.5	2.5	3.9	2	1.9	1.8	1.8	1.6	1.5	1.5	2.4	4.2		
140 x 140	2.2	2	1.9	1.9	1.7	1.5	1.5	2.6	4.8	2	1.9	1.8	1.8	1.6	1.5	1.5	2.4	5.1		
150 x 150	2.2	2	1.8	1.9	1.7	1.5	1.5	2.6	5.2	2	1.9	1.8	1.8	1.6	1.5	1.5	2.4	5.6		
160 x 160	2.2	2	1.8	1.8	1.7	1.5	1.4	2.6	5.7	2	1.9	1.8	1.8	1.6	1.5	1.4	2.4	6.1		
180 x 180	2.2	2	1.8	1.8	1.6	1.5	1.4	2.6	6.7	2	1.9	1.7	1.8	1.6	1.4	1.4	2.4	7.1		
195 x 200	2.2	2	1.8	1.8	1.5	1.4	1.4	/	7.7	2	1.9	1.7	1.8	1.6	1.4	1.4	/	8.1		
100 x 150	2.2	2	1.9	1.9	1.7	1.6	1.5	2.5	4.1	2	1.9	1.8	1.8	1.6	1.5	1.5	2.4	4.4		
100 x 200	2.2	2	1.9	1.9	1.7	1.5	1.5	2.6	5.0	2	1.9	1.8	1.8	1.6	1.5	1.5	2.4	5.3		
120 x 200	2.2	2	1.8	1.9	1.7	1.5	1.5	2.6	5.6	2	1.9	1.8	1.8	1.6	1.5	1.5	2.4	5.9		
140 x 200	2.2	2	1.8	1.8	1.7	1.5	1.4	2.6	6.1	2	1.9	1.8	1.8	1.6	1.5	1.4	2.4	6.5		
120 x 250	2.2	2	1.8	1.8	1.7	1.5	1.4	/	6.6	2	1.9	1.8	1.8	1.6	1.5	1.4	/	7.0		

\* For a 180 x 180 cm unit with a 360 mm high upstand and PCA 32+ filling  
 \*\* Adding a dome has no effect on the unit's thermal conductivity U<sub>RC</sub>.

## FOR RENOVATION AND COMPLIANCE WORKS

The **PYRODÔME® ÉVOLUTION ÉLECTRIQUE CAPPING UPSTAND** is designed to fit any type of upstand, whether for compliance reasons or to change the NSHEV's purpose **while retaining the existing upstand**.



### Types of filling

#### THERMIK' RANGE:

- PCA 16
- PCA 16+
- PCA 32
- PCA 32+
- PMMA triple dome
- Acoustik'Light



### Upstand

- Straight upstand
- 1.2 mm galvanised steel

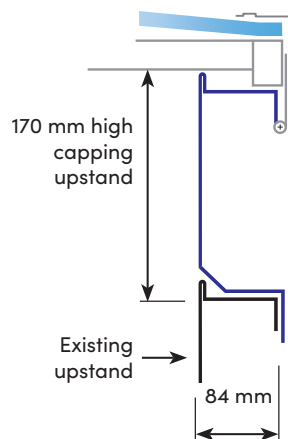
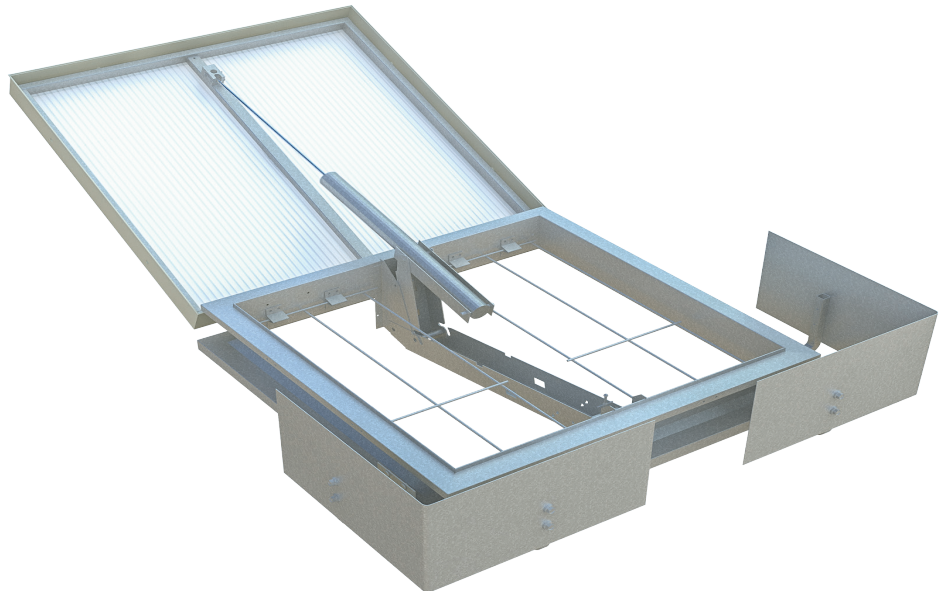
#### THERMIK' RANGE:

- Height 170 mm
- Bevelled adapter upstand with 84mm heel and 40mm overlap

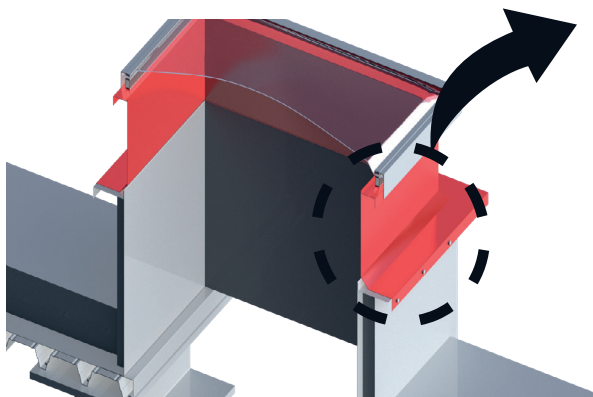


### Control

- Pneumatic opening/closing
- Built-in and offset mechanism for 100x100 cm and 120x120 cm roof opening dimensions



## Installation diagram



## Options

Standard options list p.1

### Upstand

- Heel width on request for fitting to existing substrate
- Upstand height on request



## Dimensions & aeraulic performance

Roof opening dimensions A x B (cm)	Overall heel dimensions C x D (cm)	Height H* (cm)	Light surface (m <sup>2</sup> )	E (cm)	Product weight (kg)	Av (m <sup>2</sup> )	Aa (m <sup>2</sup> ) SD
100 x 100	117 x 117	23	1.00	165	53	1.00	0.57
120 x 120	137 x 137	23	1.44	186	64	1.44	0.77
140 x 140	157 x 157	23	1.96	207	75	1.96	0.97
150 x 150	167 x 167	23	2.25	228	81	2.25	1.08
160 x 160	177 x 177	23	2.56	240	86	2.56	1.18
180 x 180	197 x 197	25	3.24	274	97	3.24	1.38
195 x 200	212 x 217	25	3.90	285	108	3.90	1.54
100 x 150	117 x 167	23	1.50	165	63	1.50	0.85
100 x 200	117 x 167	25	2.00	165	75	2.00	1.15
120 x 200	117 x 217	28	2.40	186	82	2.40	1.29
140 x 200	157 x 217	25	2.80	207	89	2.80	1.40
120 x 250	137 x 267	25	3.00	186	93	3.00	1.64

Contact us for other dimensions.  
\* For an upstand height of 170 mm

## Thermal performance: U<sub>RC</sub> (W/m<sup>2</sup>.K) and ARC (m<sup>2</sup>)

PYRODÔME® ÉVOLUTION ÉLECTRIQUE CAPPING UPSTAND									
Dimensions (cm)	Upstand height: 170 mm								
	U <sub>RC</sub>								A <sub>RC</sub>
	Acoustik' Light	PCA 16	PCA 16+	PCA 20	PCA 32**	PCA 32+	Opaque 40 mm aluminium cover	Triple dome	
100 x 100	3.2	3	2.8	2.7	2.4	2.3	2.3	3.7	3.2
120 x 120	3.1	2.9	2.7	2.6	2.3	2.3	2.1	3.6	3.9
140 x 140	3	2.9	2.6	2.5	2.2	2.2	2	3.6	4.8
150 x 150	3	2.8	2.6	2.5	2.2	2.1	2	3.5	5.2
160 x 160	2.9	2.8	2.5	2.4	2.2	2	1.9	3.5	5.7
180 x 180	2.9	2.7	2.4	2.4	2.1	2	1.9	3.5	6.7
195 x 200	2.8	2.7	2.4	2.3	2	1.9	1.8	/	7.7
100 x 150	3.1	2.9	2.7	2.6	2.3	2.2	2.1	3.6	4.1
100 x 200	3	2.9	2.6	2.5	2.3	2.1	2.1	3.6	5.0
120 x 200	3	2.8	2.5	2.5	2.2	2.1	2	3.5	5.6
140 x 200	2.9	2.8	2.5	2.4	2.1	2	1.9	3.5	6.1
120 x 250	2.9	2.8	2.5	2.4	2.1	2	1.9	3.5	6.6

\* For a 180 x 180 cm unit with a 360 mm high upstand and PCA 32+ filling  
\*\* Adding a dome has no effect on the unit's thermal conductivity U<sub>RC</sub>.

---

## **SKYDÔME**

Entre Deux Villes  
02270 Sons-Et-Ronchères, France  
Tel: +33 (0)3 23 21 79 90  
Email: [info@skydome.eu](mailto:info@skydome.eu)  
[www.skydome.eu](http://www.skydome.eu)

For the product range in other countries, please contact your local representative or visit [www.skydome.eu](http://www.skydome.eu).

SKYDÔME reserves the right to modify product specifications without notice. The information and technical details contained in this documentation are provided in good faith and apply to the uses described. The recommendations for use must be checked to ensure they are appropriate and comply with the actual requirements, the specifications and all applicable legislation and regulations.

For other applications and conditions of use, please contact our technical team. Their advice must be sought concerning uses of our products that are not described specifically herein.

Click this link to check that you are seeing the most up-to-date and accurate information about our products:  
[https://www.skydome.eu/fr/produit/14\\_pyrodome-evolution-electrique.html](https://www.skydome.eu/fr/produit/14_pyrodome-evolution-electrique.html)

For **WATERPROOFED ROOFS OR EXISTING UPSTANDS**

# PYRODÔME®

Évolution Électrique



EN 12101-2  
EN 1873 + A1: 2016



**VERSION**



## Types of filling

**ORIGIN' RANGE:**  
• Opal PCA 10



## Upstand

- Straight upstand
- 1.2 mm galvanised steel

**ORIGIN' RANGE:**

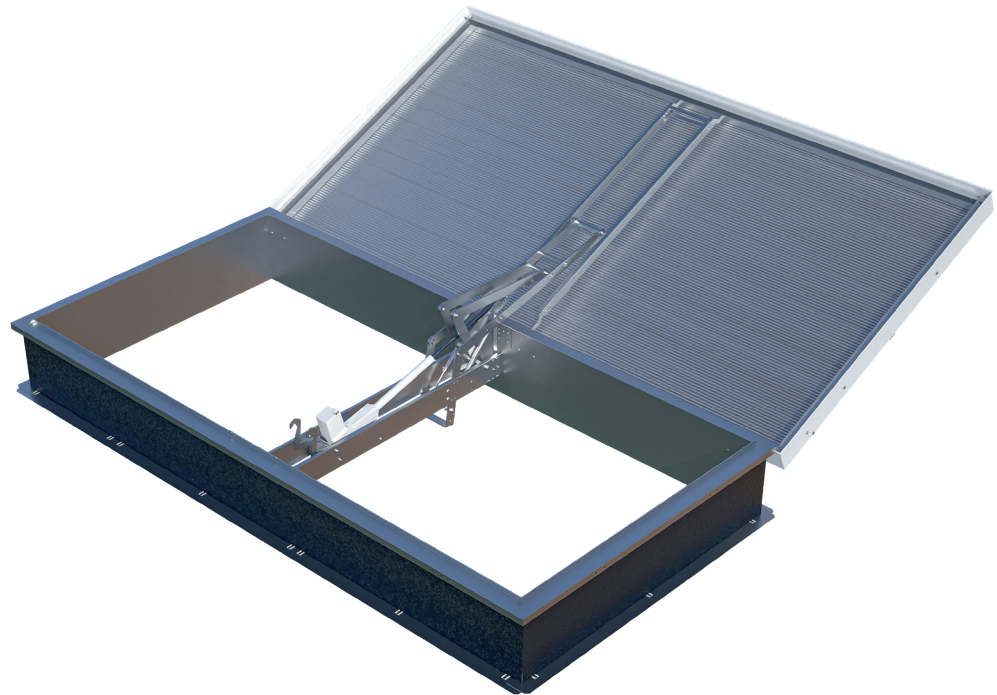
- Height 310 mm with a 15 mm bituminous insulating coating



## Control

- Electric opening/closing
- Built-in and offset mechanism for 100x100 cm and 120x120 cm roof opening dimensions
- Restricted to 80° for roof access
- Restricted to 20° for ventilation

The PYRODÔME® ÉVOLUTION ÉLECTRIQUE is an NSHEV intended primarily for smoke and heat exhaust applications. It is suitable for use on waterproofed flat roofs on all types of buildings (including public facilities, work premises and industrial buildings).



Also available:



## OPTIONS



### Types of filling

- Opal PCA 10 IR
- Grey PCA 10
- Transparent PCA 10
- PCA 10 + Lumira\*
- Insulated aluminium cover
- PMMA double dome
- Solid PC double dome



### Control

- Limit switch



### Upstand

- Upstand height: 360 mm, 410 mm or more
- Lacquered interior
- (standard RAL colours)
- Colaminated sheet steel top for PVC waterproofing
- Galvanised sheet steel top for PVC waterproofing
- Bare insulation for PVC waterproofing
- With/without wind baffles (SD/AD)

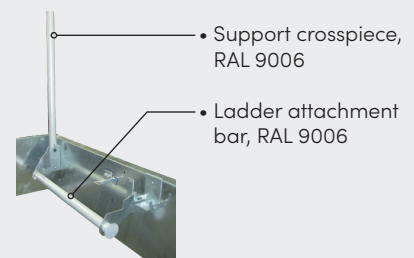
### Capping upstand

See page 04 for details.



### Other information

- 6 mm round bar or 16x16 mm 1200 joule square tube grid, galvanised or lacquered in standard RAL
- 16x16 mm security bars on opening system
- Ladder attachment bar, lacquered grey
- Support crosspiece, lacquered grey



- Support crosspiece, RAL 9006

- Ladder attachment bar, RAL 9006

## Dimensions

Roof opening dimensions A x B (cm)		Roof opening dimensions C x D (cm)		Height H* (cm)				Light surface (m <sup>2</sup> )	E (cm)	Product weight (kg)			
Straight upstand	XL skewed upstand	Straight upstand	XL skewed upstand	Straight upstand		XL skewed upstand				Straight upstand		Skewed XL upstand	
				PCA	DD	PCA	DD			PCA	DD	PCA	DD
100 x 100	114 x 114	118 x 118	132 x 132	37	56	37	27	1.00	165	63	69	67	73
120 x 120	134 x 134	138 x 138	152 x 152	37	59	37	59	1.44	186	76	86	81	90
140 x 140	154 x 154	158 x 158	172 x 172	37	62	37	62	1.96	207	90	103	95	109
150 x 150	164 x 164	168 x 168	182 x 182	37	64	37	64	2.25	228	96	112	102	118
160 x 160	174 x 174	178 x 178	192 x 192	37	65	37	65	2.56	240	103	122	109	128
180 x 180	194 x 194	198 x 198	212 x 212	39	68	39	68	3.24	274	116	-	123	-
195 x 200	209 x 214	213 x 218	227 x 232	39	73	39	73	3.90	285	129	-	137	-
100 x 150	114 x 164	118 x 168	132 x 182	37	56	37	56	1.50	165	76	86	81	91
100 x 200	114 x 214	118 x 218	132 x 232	39	56	39	56	2.00	165	90	104	96	110
120 x 200	134 x 214	138 x 218	152 x 232	38	-	38	-	2.40	186	98	-	105	-
140 x 200	154 x 214	158 x 218	172 x 232	39	62	39	62	2.80	207	106	-	113	-
120 x 250	134 x 264	138 x 268	152 x 282	39	59	39	59	3.00	186	112	-	110	-

Contact us for other dimensions.  
\* For an upstand height of 360 mm

## Filling performance

	Type of filling	Thermal transmittance factor Ug (W/ m <sup>2</sup> .K)	LT D65 <sup>(2)</sup>	SF or g <sup>(2)</sup>	Reaction to fire	R <sub>wr</sub> (dB) <sup>(3)</sup>
		U <sub>hor</sub> <sup>(1)</sup>				
PCA	Opal 4-wall PCA 10	2.9	61%	61%	B-s1-d0	R <sub>w</sub> =19 dB
	Transparent PCA 10 with Lumira™ aerogel	ND	ND	ND	ND	ND
Cover	40 mm aluminium cover	0.85	0%	ND	ND	ND
Dome	Opal PMMA double dome Opal upper dome + transparent lower dome	2.89	84%	ND	ND	ND

<sup>(1)</sup>Relative to the horizontal, as per §2.31 of the Th-Bat regulations.

<sup>(2)</sup>Light transmittance LT D65 and solar transmittance SF (TST or g) as per EN 410.

<sup>(3)</sup>Filling insulated against airborne noise R<sub>w</sub>, pink noise R<sub>k</sub> (environment, airport and industrial activities) and road noise R<sub>Av</sub>, laboratory-measured according to NF EN ISO 140.

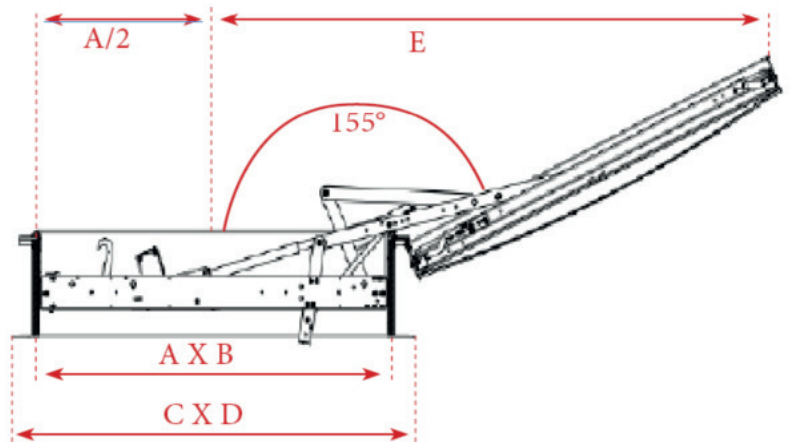
## Control system

We supply versatile installation kits for controlling the **PYRODÔME® ÉVOLUTION ÉLECTRIQUE** and **PYRODÔME® ÉVOLUTION ÉLECTRIQUE CAPPING UPSTAND**. These easy-to-use kits combine a core kit with a range of (mechanical, pneumatic or electrical) satellite kits. See the *Installation Kits* datasheet for a full list of our kits.

Technical diagrams

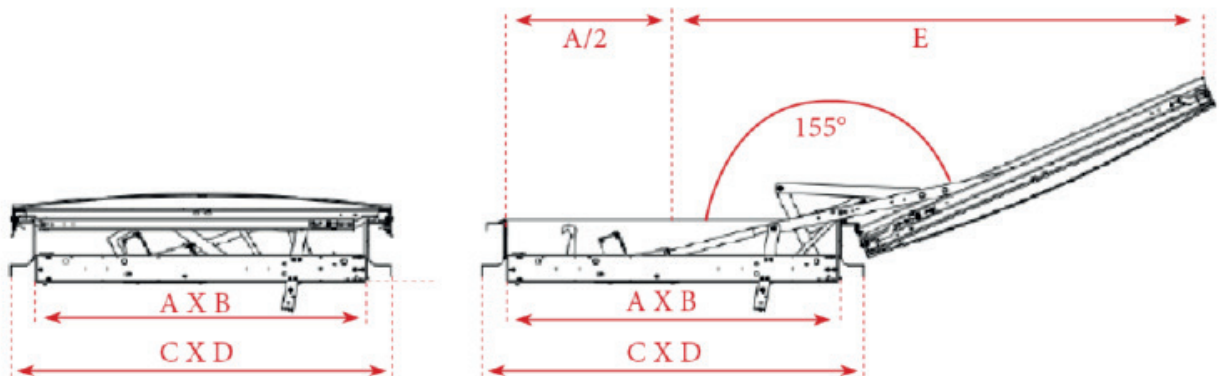
ORIGIN' range

PYRODÔME ÉVOLUTION ÉLECTRIQUE PCA



ORIGIN' range capping upstand

PYRODÔME ÉVOLUTION ÉLECTRIQUE PCA



PERFORMANCE

**Exhaust ventilator opening:** type B

**Reliability:** Re 1000 + Re 10000 (with ventilation kit)

**Low ambient temperature:** T(-15°C)

**Resistance to heat:** B<sub>300</sub>

**Resistance to wind load:** WL1500 (1 crosspiece) / WL3000 (2 crosspieces)

**Opening under load:** SL 250 depending on filling

Thermo-fuse requires a thermal detection head (not included in the product)

Also available in WL 3000: contact us for details.

COMPLIANCE & INSTALLATION

CE certified NSHEV compliant with **NF EN 12101-2. (Product certification No. 0204 CPR 500026\*)**

The product must be fastened and sealed in accordance with the requirements defined in the applicable DTU specifications (series 40 and 43).

Maximum insulation height: as per the DTUs, the sealing flashing must extend to a height of at least 150 mm.

The waterproofing complex (substrate, vapour barrier, insulation and two-layer sealant) must be no thicker than 140 mm for an interior upstand height of 310 mm, or 240 mm for an interior upstand height of 410 mm.

Maximum permissible slope: 25° or 46%, if the hinge is parallel to the roof slope and Av is < 2 m<sup>2</sup> (see installation instructions).

Only the security bar option provides guaranteed 1200 joule protection.

**DoP available at [www.skydome.eu](http://www.skydome.eu)**

## FOR RENOVATION AND COMPLIANCE WORKS

The **PYRODÔME® ÉVOLUTION ÉLECTRIQUE CAPPING UPSTAND** is designed to fit any type of upstand, whether for compliance reasons or to change the NSHEV's purpose **while retaining the existing upstand**.



### Filling

- Opal multi-wall PCA 10
- $U_g = 2.9 \text{ W/m}^2 \cdot \text{K}$



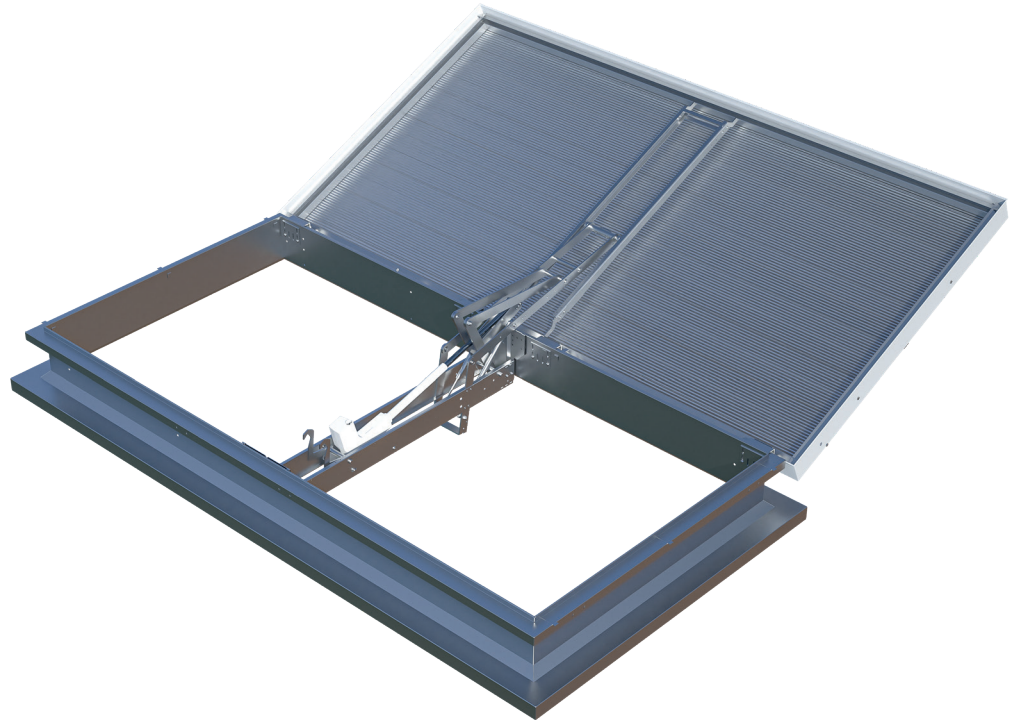
### Upstand

- Bevelled adapter upstand with 84 mm heel and 40 mm overlap
- 1.2 mm galvanised steel
- Height 170 mm

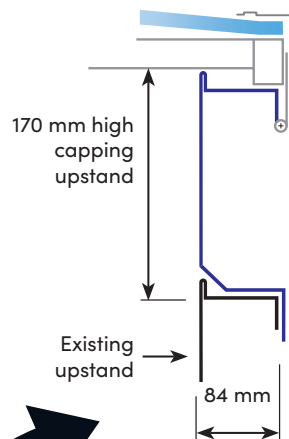
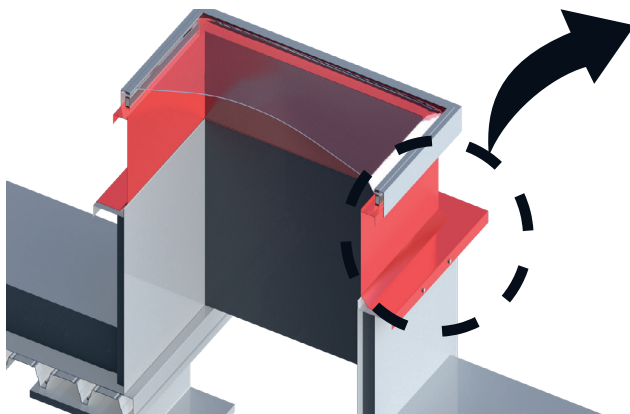


### Control

- Electric opening/closing
- Built-in and offset mechanism for 100x100 cm and 120x120 cm roof opening dimensions



## Installation diagram



## Options

Standard options list p.1

### Upstand

- Upstand insulation including a galvanised steel protection plate
- Heel width on request for fitting to existing substrate
- Upstand height on request

## Electrical performance of motor

Dimensions (cm)		Power consumption of the THERMIK range ' PYRODÔME ÉVOLUTION ÉLECTRIQUE PCA16 / PCA16+ / PCA 32 / PCA32+ / 40mm cover									
Width	Length	SL250		SL500		SL800		SL1000		SL1500	
		24 V	48 V	24 V	48 V	24 V	48 V	24 V	48 V	24 V	48 V
100	100	2	1	2	1	2	1	2	1	4	2
	150	2	1	2	1	2	1	4	2	6	3
	200	2	1	2	1	4	2	6	3	8	4
110	110	2	1	2	1	2	1	4	2	6	3
120	120	2	1	2	1	4	2	6	3	6	3
	200	2	1	4	2	6	3	8	4	12	6
	250	2	1	4	2	8	4	8	4	12	6
140	140	2	1	4	2	6	3	6	3	12	6
	200	4	2	4	2	8	4	12	6	12	6
150	150	2	1	4	2	8	4	8	4	12	6
160	160	4	2	4	2	8	4	12	6	12	6
170	170	4	2	4	2	12	6	12	6		
180	180	6	3	8	4	12	6				
200	195	6	3	12	6	12	6				

1 crosspiece: 2A (24V) - 1A (48V)

1 crosspiece: 6A (24V) - 3A (48V)

2 crosspieces: 12A (24V) - 6A (48V)

1 crosspiece: 4A (24V) - 2A (48V)

2 crosspieces: 8A (24V) - 4A (48V)

## Aeraulic performance

Roof opening dimensions A x B (cm)		Av (m <sup>2</sup> )	PYRODÔME EVOLUTION PNEUMATIQUE	PYRODÔME EVOLUTION ÉLECTRIQUE XL	
			Aa (m <sup>2</sup> )	Av (m <sup>2</sup> )	Aa (m <sup>2</sup> )
Straight upstand	XL skewed upstand		SD		SD
100 x 100	114 x 114	1.00	0.55	1.30	0.70
120 x 120	134 x 134	1.44	0.78	1.80	0.97
140 x 140	154 x 154	1.96	1.04	2.37	1.27
150 x 150	164 x 164	2.25	1.18	2.69	1.43
160 x 160	174 x 174	2.56	1.34	3.03	1.61
180 x 180	194 x 194	3.24	1.67	3.76	1.99
195 x 200	209 x 214	3.90	2.04	4.47	2.40
100 x 150	114 x 164	1.50	0.81	1.87	1.01
100 x 200	114 x 214	2.00	1.00	2.44	1.32
120 x 200	134 x 214	2.40	1.21	2.87	1.45
140 x 200	154 x 214	2.80	1.42	3.30	1.68
120 x 250	134 x 264	3.00	1.41	3.54	1.71

---

## **SKYDÔME**

Entre Deux Villes  
02270 Sons-Et-Ronchères, France  
Tel: +33 (0)3 23 21 79 90  
Email: [info@skydome.eu](mailto:info@skydome.eu)  
[www.skydome.eu](http://www.skydome.eu)

For the product range in other countries, please contact your local representative or visit [www.skydome.eu](http://www.skydome.eu).

SKYDÔME reserves the right to modify product specifications without notice. The information and technical details contained in this documentation are provided in good faith and apply to the uses described. The recommendations for use must be checked to ensure they are appropriate and comply with the actual requirements, the specifications and all applicable legislation and regulations.

For other applications and conditions of use, please contact our technical team. Their advice must be sought concerning uses of our products that are not described specifically herein.

Click this link to check that you are seeing the most up-to-date and accurate information about our products:  
[https://www.skydome.eu/fr/produit/14\\_pyrodome-evolution-electrique.html](https://www.skydome.eu/fr/produit/14_pyrodome-evolution-electrique.html)