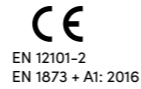


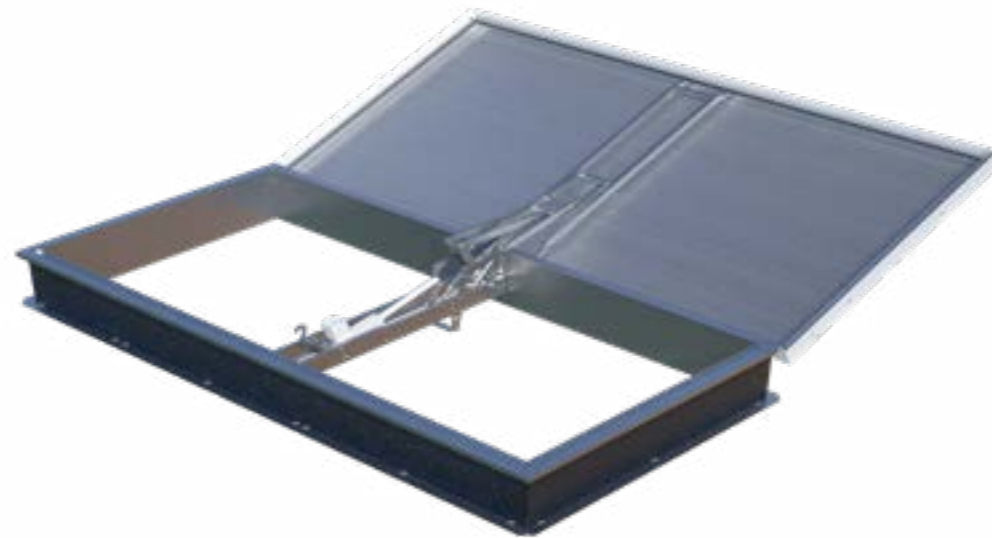
# PYRODÔME®

## Évolution Électrique



### THERMIK' VERSION

The PYRODÔME® ÉVOLUTION ELECTRIQUE is an NSHEV intended primarily for smoke and heat exhaust applications. It is suitable for use on waterproofed flat roofs on all types of buildings (including public facilities, work premises and industrial buildings).



Also available:



#### Types of filling

**THERMIK' RANGE:**

- PCA 16
- PCA 16+
- PCA 32
- PCA 32+
- PMMA triple dome
- Acoustik'Light

#### Upstand

- Straight upstand
- 1.2 mm galvanised steel

**THERMIK' RANGE:**

- Height 360 mm with a 30 mm bituminous insulating coating

#### Control

- Built-in and offset mechanism for 100x100 cm and 120x120 cm roof opening dimensions (for SL250 only)
- Restricted to 80° for roof access
- Restricted to 20° for ventilation

### OPTIONS

- #### Types of filling

  - Opal PCA 16 IR
  - Grey PCA 16
  - Transparent PCA 16
  - Insulated aluminium cover

- #### Control

  - Limit switch

- #### Upstand

  - Upstand height: 410 mm or more
  - Lacquered interior (standard RAL colours)
  - Colaminated sheet steel top for PVC waterproofing
  - Galvanised sheet steel top for PVC waterproofing
  - Bare insulation for PVC waterproofing

**Capping upstand**  
See page 6 for details.

#### Available versions



- #### Other information

  - 6 mm round bar or 16x16 mm 1200 joule square tube grid, galvanised or lacquered in standard RAL
  - 16x16 mm security bars on opening system
  - Ladder attachment bar, lacquered grey
  - Support crosspiece, lacquered grey

### Dimensions

| Roof opening dimensions A x B (cm) |                   | Overall heel dimensions C x D (cm) |                   | Height H* (cm)   |                   | Light surface (m <sup>2</sup> ) | E (cm) | Product weight (kg) |                   |
|------------------------------------|-------------------|------------------------------------|-------------------|------------------|-------------------|---------------------------------|--------|---------------------|-------------------|
| Straight upstand                   | XL skewed upstand | Straight upstand                   | XL skewed upstand | Straight upstand | XL skewed upstand |                                 |        | Straight upstand    | Skewed XL upstand |
| 100 x 100                          | 114 x 114         | 118 x 118                          | 132 x 132         | 42               | 42                | 1.00                            | 165    | 63                  | 67                |
| 120 x 120                          | 134 x 134         | 138 x 138                          | 152 x 152         | 42               | 42                | 1.44                            | 186    | 76                  | 81                |
| 140 x 140                          | 154 x 154         | 158 x 158                          | 172 x 172         | 42               | 42                | 1.96                            | 207    | 90                  | 95                |
| 150 x 150                          | 164 x 164         | 168 x 168                          | 182 x 182         | 42               | 42                | 2.25                            | 228    | 96                  | 102               |
| 160 x 160                          | 174 x 174         | 178 x 178                          | 192 x 192         | 42               | 42                | 2.56                            | 240    | 103                 | 109               |
| 180 x 180                          | 194 x 194         | 198 x 198                          | 212 x 212         | 44               | 44                | 3.24                            | 274    | 116                 | 123               |
| 195 x 200                          | 209 x 214         | 213 x 218                          | 227 x 232         | 44               | 44                | 3.90                            | 285    | 129                 | 137               |
| 100 x 150                          | 114 x 164         | 118 x 168                          | 132 x 182         | 42               | 42                | 1.50                            | 165    | 76                  | 81                |
| 100 x 200                          | 114 x 214         | 118 x 218                          | 132 x 232         | 44               | 44                | 2.00                            | 165    | 90                  | 96                |
| 120 x 200                          | 134 x 214         | 138 x 218                          | 152 x 232         | 43               | 43                | 2.40                            | 186    | 98                  | 105               |
| 140 x 200                          | 154 x 214         | 158 x 218                          | 172 x 232         | 44               | 44                | 2.80                            | 207    | 106                 | 113               |
| 120 x 250                          | 134 x 264         | 138 x 268                          | 152 x 282         | 44               | 44                | 3.00                            | 186    | 112                 | 110               |

Contact us for other dimensions.  
\* For an upstand height of 360 mm

### Filling performance

Other filling and filling options: see "Filling" data sheet

| Type of filling | Thermal transmittance factor Ug (W/m <sup>2</sup> .K)   | LT D65 <sup>(2)</sup> | SF or g <sup>(2)</sup> | Reaction to fire | R <sub>w</sub> (dB) <sup>(3)</sup> |                       |
|-----------------|---|-----------------------|------------------------|------------------|------------------------------------|-----------------------|
|                 | U <sub>hor</sub> <sup>(1)</sup>   |                       |                        |                  |                                    |                       |
| PCA             | Opal multi-wall PCA 16  | 1.9                   | 45%                    | 46%              | B-s1-d0                            | R <sub>w</sub> =21 dB |
|                 | Transparent PCA 16 with Lumira™ aerogel   | 1.5                   | 67%                    | 67%              | B-s1-d0                            | R <sub>w</sub> =21 dB |
|                 | Opal multi-wall PCA 20  | 1.6                   | 54%                    | 47%              | B-s2-d0                            | R <sub>w</sub> =21 dB |
|                 | Transparent multi-wall PCA 32   | 1.3                   | 33%                    | 49%              | B-s2-d0                            | ND                    |
| Cover           | Transparent PCA 32 with 50% Lumira™ aerogel   | 0.97                  | 43%                    | 45%              | ND                                 | ND                    |
|                 | 40 mm aluminium cover   | 0.85                  | 0%                     | ND               | ND                                 | ND                    |
| Dome            | Opal solid PC triple dome<br>Opal upper dome + transparent intermediate dome + transparent lower dome | 2.76                  | ND                     | ND               | B-s1-d0                            | ND                    |
| Acoustik'Light  | Acoustik'Light<br>Transparent PCA 10 & Transparent PCA 6  | 2.1                   | ND                     | ND               | ND                                 | R <sub>w</sub> =27 dB |

<sup>(1)</sup>As per §2.31 of the Th-Bat regulations.  
<sup>(2)</sup>Light transmittance LT D65 and solar transmittance SF (TST or g) as per EN 410.  
<sup>(3)</sup>Filling insulated against airborne noise R<sub>w</sub>, pink noise R<sub>p</sub> (environment, airport and industrial activities) and road noise R<sub>Ln</sub>, laboratory-measured according to NF EN ISO 140.

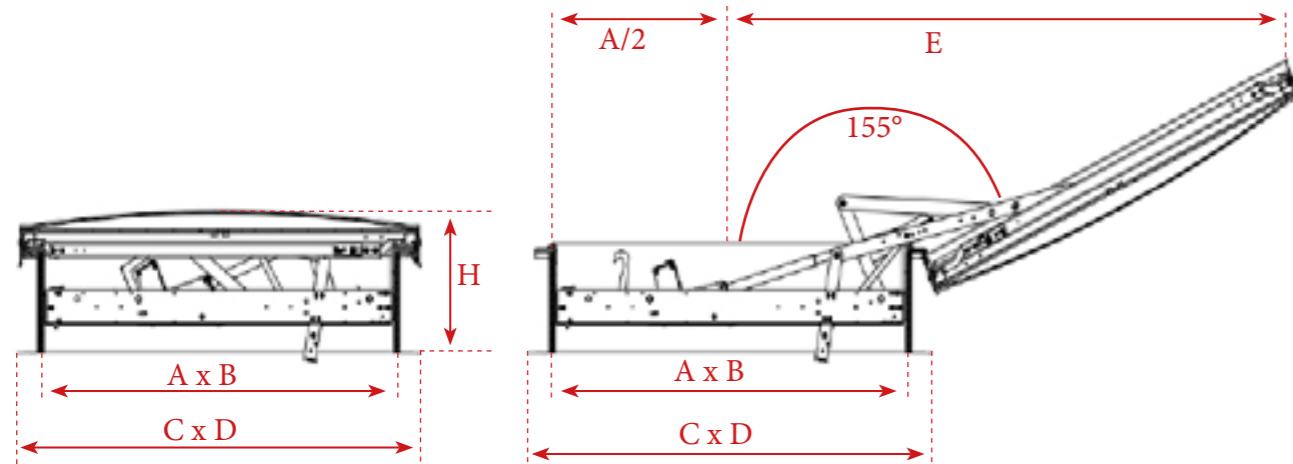
### Control system

We supply versatile installation kits for controlling the PYRODÔME® ÉVOLUTION ÉLECTRIQUE and PYRODÔME® ÉVOLUTION ÉLECTRIQUE CAPPING UPSTAND. These easy-to-use kits combine a core kit with a range of (mechanical, pneumatic or electrical) satellite kits. See the *Installation Kits* datasheet for a full list of our kits.

Technical diagrams

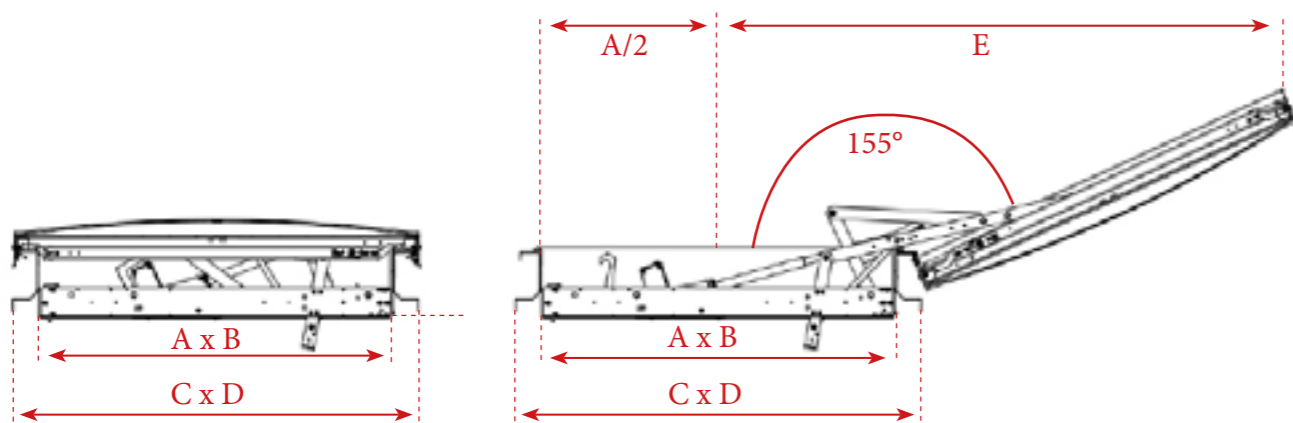
THERMIK' range

PYRODÔME ÉVOLUTION ÉLECTRIQUE PCA



THERMIK' range capping upstand

PYRODÔME ÉVOLUTION ÉLECTRIQUE PCA



PERFORMANCE

**Exhaust ventilator opening:** type B (open + close)  
**Reliability:** Re 1000 + 10000 (with ventilation kit)  
**Low ambient temperature:** T(-15°C)  
**Resistance to heat:** B<sub>300</sub>  
**Thermo-fuse set temperature:** 93 °C to 183 °C  
**Resistance to wind load:** WL1500 (1 crosspiece) / WL3000 (2 crosspieces)  
**Opening under load:** SL250 to SL500 depending on filling  
**Also available in WL 3000 for dimensions < 140 x 140 cm.**  
**Contact us for details.**

COMPLIANCE & INSTALLATION

CE certified NSHEV compliant with **NF EN 12101-2. (Product certification No. 0402 CPR 500029\*)**  
 The product must be fastened and sealed in accordance with the requirements defined in the applicable DTU specifications (series 40 and 43).  
 Maximum insulation height: as per the DTUs, the sealing flashing must extend to a height of at least 150 mm.  
 The waterproofing complex (substrate, vapour barrier, insulation and two-layer sealant) must be no thicker than 190 mm for an interior upstand height of 360 mm, or 240 mm for an upstand height of 410 mm.  
 Maximum permissible slope: 25° or 46% (see installation instructions).  
 Only the grid and security bar option provides guaranteed 1200 joule protection.  
**DoP available at [www.skydome.eu](http://www.skydome.eu)**

Trade name

| Trade name               | Filling   | Upstand insulation   |
|--------------------------|---|--|
| THERMIK' 16              | 16 mm PCA(Opal PCA)   | Upstand height: 360 mm<br>Insulation:<br>• on vertical part of upstand<br>• on upstand lip |
| THERMIK' 16+             | 16 mm PCA with LUMIRA (Transparent PCA)   |  |
| THERMIK' 20              | 20 mm PCA (Opal PCA)  |  |
| THERMIK' 32              | 32 mm PCA (Transparent PCA)   |  |
| THERMIK' 32+             | 16 mm PCA + 16 mm PCA with LUMIRA (Transparent PCA)                                 |  |
| THERMIK' 3xD             | Triple dome<br>Opal upper dome + transparent interior dome + transparent lower dome |  |
| THERMIK' 40 OPAQUE       | 40 mm aluminium cover   |  |
| THERMIK' ACOUSTIK' LIGHT | 10 mm PCA + 6 mm solid PC   |  |

Acoustic performance

|   | PCA 16   | PCA 16+  | PCA 20 | PCA 32    | PCA 32 & dome | PCA 32+ | PCA 32+ & dome | Opaque 40 mm aluminium cover | Triple dome | Acoustik' Light |
|---|----------|----------|--------|-----------|---------------|---------|----------------|------------------------------|-------------|-----------------|
| Acoustic attenuation R <sub>w</sub> (C;C <sub>tr</sub> ) (dB) | 17(-2;2) | 19(0;-1) | ND     | 20(-2;-1) | 25(-1;-3)     | 21(0;0) | 26(-1;-3)      | 23(-1;-3)                    | 20(0;-2)    | 25(-1;-1)       |
| Rain-generated sound intensity Lia (dB)                       | 77       | 74       | ND     | 75        | 63            | 72      | 61             | 63                           | 63          | 66              |

R<sub>w</sub> = acoustic attenuation index laboratory-measured according to EN410 (airborne noise) - R<sub>s</sub> = R<sub>w</sub> + C = 'pink noise' attenuation index - R<sub>rs</sub> = R<sub>w</sub> + C<sub>rs</sub> = 'road noise' attenuation index  
 \*Overall performance of the unit fitted with ACOUSTIK' LIGHT filling is stated for the THERMIK' range only

Power consumption of motor

| Dimensions (cm) |        | Power consumption of the THERMIK' range<br>PYRODÔME ÉVOLUTION ÉLECTRIQUE<br>PCA16 / PCA16+ / PCA 32 / PCA32+ / 40mm cover |      |       |      |       |      |        |      |        |      |
|-----------------|--------|---|------|-------|------|-------|------|--------|------|--------|------|
| Width           | Length | SL250   |      | SL500 |      | SL800 |      | SL1000 |      | SL1500 |      |
|                 |        | 24 V  | 48 V | 24 V  | 48 V | 24 V  | 48 V | 24 V   | 48 V | 24 V   | 48 V |
| 100             | 100    | 2   | 1    | 2     | 1    | 2     | 1    | 2      | 1    | 4      | 2    |
| 100             | 150    | 2   | 1    | 2     | 1    | 2     | 1    | 4      | 2    | 6      | 3    |
| 100             | 200    | 2   | 1    | 2     | 1    | 4     | 2    | 6      | 3    | 8      | 4    |
| 110             | 110    | 2   | 1    | 2     | 1    | 2     | 1    | 4      | 2    | 6      | 3    |
| 120             | 120    | 2   | 1    | 2     | 1    | 4     | 2    | 6      | 3    | 6      | 3    |
| 120             | 200    | 2   | 1    | 4     | 2    | 6     | 3    | 8      | 4    | 12     | 6    |
| 120             | 250    | 2   | 1    | 4     | 2    | 8     | 4    | 8      | 4    | 12     | 6    |
| 140             | 140    | 2   | 1    | 4     | 2    | 6     | 3    | 6      | 3    | 12     | 6    |
| 140             | 200    | 4   | 2    | 4     | 2    | 8     | 4    | 12     | 6    | 12     | 6    |
| 150             | 150    | 2   | 1    | 4     | 2    | 8     | 4    | 8      | 4    | 12     | 6    |
| 160             | 160    | 4   | 2    | 4     | 2    | 8     | 4    | 12     | 6    | 12     | 6    |
| 170             | 170    | 4   | 2    | 4     | 2    | 12    | 6    | 12     | 6    |        |      |
| 180             | 180    | 6   | 3    | 8     | 4    | 12    | 6    |        |      |        |      |
| 200             | 195    | 6   | 3    | 12    | 6    | 12    | 6    |        |      |        |      |

1 crosspiece: 2A (24V) - 1A (48V)

1 crosspiece: 6A (24V) - 3A (48V)

2 crosspieces: 12A (24V) - 6A (48V)

1 crosspiece: 4A (24V) - 2A (48V)

2 crosspieces: 8A (24V) - 4A (48V)

Aeraulic performance

| Roof opening dimensions A x B (cm) |                   | Av (m²) | PYRODÔME ÉVOLUTION ÉLECTRIQUE | PYRODÔME ÉVOLUTION ÉLECTRIQUE XL |         |
|------------------------------------|-------------------|---------|-------------------------------|----------------------------------|---------|
| Straight upstand                   | XL skewed upstand |         | Aa (m²)                       | Av (m²)                          | Aa (m²) |
|                                    |                   | SD      | SD                            |                                  |         |
| 100 x 100                          | 114 x 114         | 1.00    | 0.55                          | 1.30                             | 0.70    |
| 120 x 120                          | 134 x 134         | 1.44    | 0.78                          | 1.80                             | 0.97    |
| 140 x 140                          | 154 x 154         | 1.96    | 1.04                          | 2.37                             | 1.27    |
| 150 x 150                          | 164 x 164         | 2.25    | 1.18                          | 2.69                             | 1.43    |
| 160 x 160                          | 174 x 174         | 2.56    | 1.34                          | 3.03                             | 1.61    |
| 180 x 180                          | 194 x 194         | 3.24    | 1.67                          | 3.76                             | 1.99    |
| 195 x 200                          | 209 x 214         | 3.90    | 2.04                          | 4.47                             | 2.40    |
| 100 x 150                          | 114 x 164         | 1.50    | 0.81                          | 1.87                             | 1.01    |
| 100 x 200                          | 114 x 214         | 2.00    | 1.00                          | 2.44                             | 1.32    |
| 120 x 200                          | 134 x 214         | 2.40    | 1.21                          | 2.87                             | 1.45    |
| 140 x 200                          | 154 x 214         | 2.80    | 1.42                          | 3.30                             | 1.68    |
| 120 x 250                          | 134 x 264         | 3.00    | 1.41                          | 3.54                             | 1.71    |

**U<sub>RC</sub>: 1.5 W/m².K\***

**ENHANCED THERMAL INSULATION:**

- Wide range of filling options with different thermal insulation, light transmittance and solar factor performance
- Compliant with applicable DTU specifications
- Superior watertightness

Thermal performance: U<sub>RC</sub> (W/m².K) and A<sub>RC</sub> (m²)

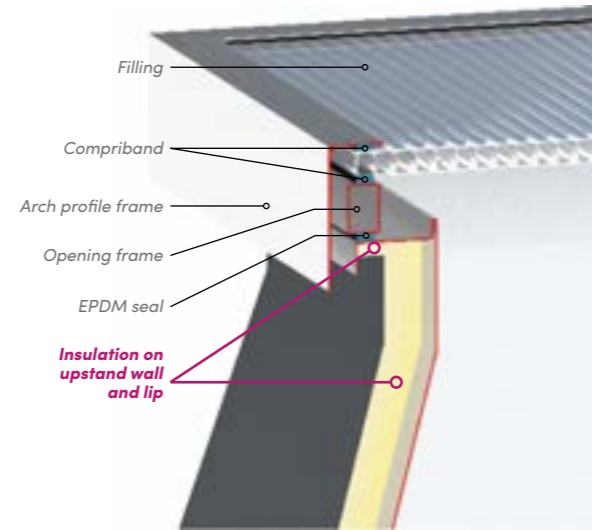
| Dimensions (cm) | PYRODÔME® ÉVOLUTION ÉLECTRIQUE |        |         |        |          |         |                              |             |                 | PYRODÔME® ÉVOLUTION ÉLECTRIQUE |        |         |        |          |         |                              |             |                 |
|-----------------|--------------------------------|--------|---------|--------|----------|---------|------------------------------|-------------|-----------------|--------------------------------|--------|---------|--------|----------|---------|------------------------------|-------------|-----------------|
|                 | Upstand height: 360 mm         |        |         |        |          |         |                              |             |                 | Upstand height: 410 mm         |        |         |        |          |         |                              |             |                 |
|                 | Acoustik' Light                | PCA 16 | PCA 16+ | PCA 20 | PCA 32** | PCA 32+ | Opaque 40 mm aluminium cover | Triple dome | A <sub>RC</sub> | Acoustik' Light                | PCA 16 | PCA 16+ | PCA 20 | PCA 32** | PCA 32+ | Opaque 40 mm aluminium cover | Triple dome | A <sub>RC</sub> |
| 100 x 100       | 2.3                            | 2.1    | 2       | 1.9    | 1.8      | 1.7     | 1.5                          | 2.8         | 3.1             | 2.1                            | 2.1    | 1.9     | 1.9    | 1.8      | 1.6     | 1.5                          | 2.7         | 3.3             |
| 120 x 120       | 2.3                            | 2.1    | 2       | 1.9    | 1.8      | 1.6     | 1.5                          | 2.8         | 3.8             | 2.1                            | 2      | 1.9     | 1.9    | 1.8      | 1.5     | 1.5                          | 2.7         | 4.1             |
| 140 x 140       | 2.3                            | 2.1    | 2       | 1.9    | 1.7      | 1.6     | 1.4                          | 2.8         | 4.7             | 2.1                            | 2      | 1.9     | 1.9    | 1.8      | 1.5     | 1.4                          | 2.7         | 5.0             |
| 150 x 150       | 2.3                            | 2.1    | 2       | 1.8    | 1.7      | 1.6     | 1.4                          | 2.8         | 5.2             | 2.1                            | 2      | 1.9     | 1.9    | 1.8      | 1.5     | 1.4                          | 2.7         | 5.5             |
| 160 x 160       | 2.3                            | 2.1    | 2       | 1.8    | 1.7      | 1.6     | 1.4                          | 2.8         | 5.6             | 2.1                            | 2      | 1.9     | 1.8    | 1.7      | 1.5     | 1.4                          | 2.7         | 6.0             |
| 180 x 180       | 2.3                            | 2      | 2       | 1.8    | 1.7      | 1.5     | 1.4                          | 2.8         | 6.6             | 2.1                            | 2      | 1.8     | 1.8    | 1.7      | 1.4     | 1.4                          | 2.7         | 7.0             |
| 195 x 200       | 2.3                            | 2      | 2       | 1.8    | 1.7      | 1.5     | 1.3                          | /           | 7.6             | 2                              | 2      | 1.8     | 1.8    | 1.7      | 1.4     | 1.4                          | /           | 8.0             |
| 100 x 150       | 2.3                            | 2      | 2       | 1.9    | 1.8      | 1.6     | 1.4                          | 2.3         | 4.0             | 2.1                            | 2      | 1.9     | 1.9    | 1.8      | 1.5     | 1.5                          | 2.7         | 4.2             |
| 100 x 200       | 2.3                            | 2.1    | 2       | 1.9    | 1.7      | 1.6     | 1.4                          | 2.3         | 4.9             | 2.1                            | 2      | 1.9     | 1.9    | 1.8      | 1.5     | 1.4                          | 2.7         | 5.2             |
| 120 x 200       | 2.3                            | 2.1    | 2       | 1.8    | 1.7      | 1.6     | 1.4                          | 2.3         | 5.5             | 2.1                            | 2      | 1.9     | 1.9    | 1.8      | 1.5     | 1.4                          | 2.7         | 5.8             |
| 140 x 200       | 2.3                            | 2      | 2       | 1.8    | 1.7      | 1.5     | 1.4                          | 2.3         | 6.0             | 2.1                            | 2      | 1.9     | 1.8    | 1.7      | 1.5     | 1.4                          | 2.7         | 6.4             |
| 120 x 250       | 2.2                            | 2.1    | 2       | 1.8    | 1.7      | 1.6     | 1.4                          | 2.2         | 6.5             | 2.1                            | 2      | 1.9     | 1.8    | 1.7      | 1.5     | 1.4                          | /           | 6.9             |

\* For a 180 x 180 cm unit with a 360 mm high upstand and PCA 32+ filling  
 \*\* Adding a dome has no effect on the unit's thermal conductivity U<sub>RC</sub>.

$U_{RC} : 1.5 \text{ W/m}^2.K^*$

**ENHANCED THERMAL INSULATION:**

- ✓ Wide range of filling options with different thermal insulation, light transmittance and solar factor performance
- ✓ Compliant with applicable DTU specifications
- ✓ Superior watertightness



**Thermal performance:  $U_{RC}$  (W/m<sup>2</sup>.K) and ARC (m<sup>2</sup>)**

PYRODÔME® ÉVOLUTION ÉLECTRIQUE XL

| Dimensions (cm) | Upstand height: 360 mm |        |         |        |          |         |                              |             |          | Upstand height: 410 mm |        |         |        |          |         |                              |             |          |
|-----------------|------------------------|--------|---------|--------|----------|---------|------------------------------|-------------|----------|------------------------|--------|---------|--------|----------|---------|------------------------------|-------------|----------|
|                 | $U_{RC}$               |        |         |        |          |         |                              |             |          | $U_{RC}$               |        |         |        |          |         |                              |             |          |
|                 | Acoustik' Light        | PCA 16 | PCA 16+ | PCA 20 | PCA 32** | PCA 32+ | Opaque 40 mm aluminium cover | Triple dome | $A_{RC}$ | Acoustik' Light        | PCA 16 | PCA 16+ | PCA 20 | PCA 32** | PCA 32+ | Opaque 40 mm aluminium cover | Triple dome | $A_{RC}$ |
| 100 x 100       | 2.2                    | 2      | 1.9     | 1.9    | 1.8      | 1.6     | 1.6                          | 2.5         | 3.2      | 2                      | 1.9    | 1.8     | 1.8    | 1.7      | 1.6     | 1.6                          | 2.3         | 3.4      |
| 120 x 120       | 2.2                    | 2      | 1.9     | 1.9    | 1.7      | 1.6     | 1.5                          | 2.5         | 3.9      | 2                      | 1.9    | 1.8     | 1.8    | 1.6      | 1.5     | 1.5                          | 2.4         | 4.2      |
| 140 x 140       | 2.2                    | 2      | 1.9     | 1.9    | 1.7      | 1.5     | 1.5                          | 2.6         | 4.8      | 2                      | 1.9    | 1.8     | 1.8    | 1.6      | 1.5     | 1.5                          | 2.4         | 5.1      |
| 150 x 150       | 2.2                    | 2      | 1.8     | 1.9    | 1.7      | 1.5     | 1.5                          | 2.6         | 5.2      | 2                      | 1.9    | 1.8     | 1.8    | 1.6      | 1.5     | 1.5                          | 2.4         | 5.6      |
| 160 x 160       | 2.2                    | 2      | 1.8     | 1.8    | 1.7      | 1.5     | 1.4                          | 2.6         | 5.7      | 2                      | 1.9    | 1.8     | 1.8    | 1.6      | 1.5     | 1.4                          | 2.4         | 6.1      |
| 180 x 180       | 2.2                    | 2      | 1.8     | 1.8    | 1.6      | 1.5     | 1.4                          | 2.6         | 6.7      | 2                      | 1.9    | 1.7     | 1.8    | 1.6      | 1.4     | 1.4                          | 2.4         | 7.1      |
| 195 x 200       | 2.2                    | 2      | 1.8     | 1.8    | 1.5      | 1.4     | 1.4                          | /           | 7.7      | 2                      | 1.9    | 1.7     | 1.8    | 1.6      | 1.4     | 1.4                          | /           | 8.1      |
| 100 x 150       | 2.2                    | 2      | 1.9     | 1.9    | 1.7      | 1.6     | 1.5                          | 2.5         | 4.1      | 2                      | 1.9    | 1.8     | 1.8    | 1.6      | 1.5     | 1.5                          | 2.4         | 4.4      |
| 100 x 200       | 2.2                    | 2      | 1.9     | 1.9    | 1.7      | 1.5     | 1.5                          | 2.6         | 5.0      | 2                      | 1.9    | 1.8     | 1.8    | 1.6      | 1.5     | 1.5                          | 2.4         | 5.3      |
| 120 x 200       | 2.2                    | 2      | 1.8     | 1.9    | 1.7      | 1.5     | 1.5                          | 2.6         | 5.6      | 2                      | 1.9    | 1.8     | 1.8    | 1.6      | 1.5     | 1.5                          | 2.4         | 5.9      |
| 140 x 200       | 2.2                    | 2      | 1.8     | 1.8    | 1.7      | 1.5     | 1.4                          | 2.6         | 6.1      | 2                      | 1.9    | 1.8     | 1.8    | 1.6      | 1.5     | 1.4                          | 2.4         | 6.5      |
| 120 x 250       | 2.2                    | 2      | 1.8     | 1.8    | 1.7      | 1.5     | 1.4                          | /           | 6.6      | 2                      | 1.9    | 1.8     | 1.8    | 1.6      | 1.5     | 1.4                          | /           | 7.0      |

\* For a 180 x 180 cm unit with a 360 mm high upstand and PCA 32+ filling  
 \*\* Adding a dome has no effect on the unit's thermal conductivity  $U_{RC}$ .

FOR RENOVATION AND COMPLIANCE WORKS

The PYRODÔME® ÉVOLUTION ÉLECTRIQUE CAPPING UPSTAND is designed to fit any type of upstand, whether for compliance reasons or to change the NSHEV's purpose while retaining the existing upstand.



**Types of filling**

- THERMIK' RANGE:
- PCA 16
  - PCA 16+
  - PCA 32
  - PCA 32+
  - PMMA triple dome
  - Acoustik'Light



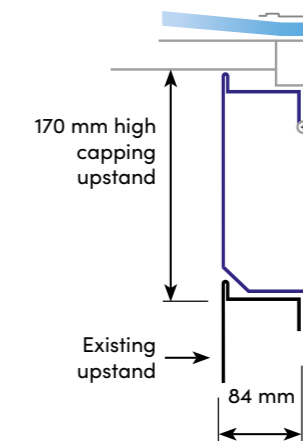
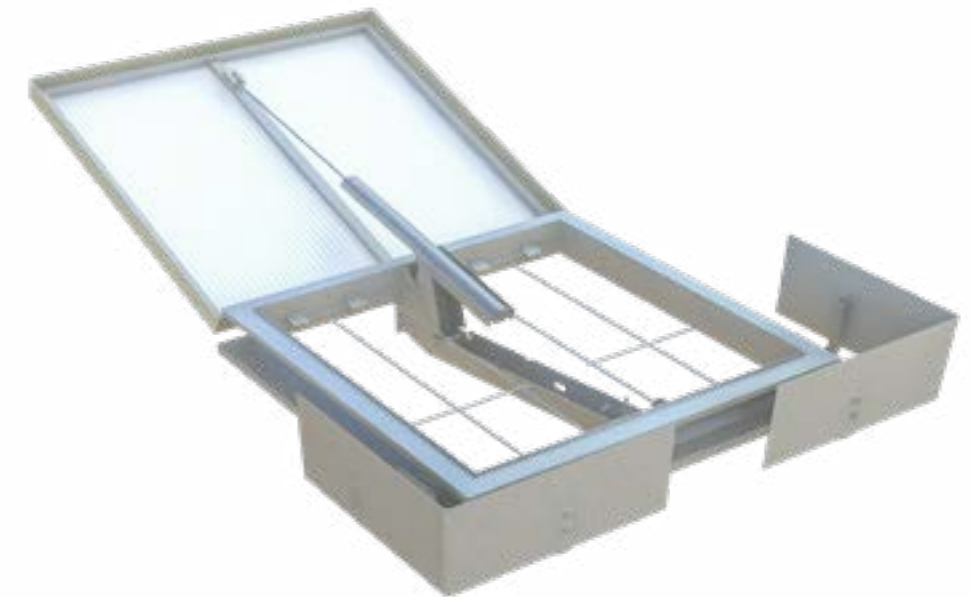
**Upstand**

- Straight upstand
  - 1.2 mm galvanised steel
- THERMIK' RANGE:
- Height 170 mm
  - Bevelled adapter upstand with 84mm heel and 40mm overlap



**Control**

- Pneumatic opening/closing
- Built-in and offset mechanism for 100x100 cm and 120x120 cm roof opening dimensions



**Installation diagram**



**Options**

Standard options list p.1

**Upstand**

- Heel width on request for fitting to existing substrate
- Upstand height on request

## Dimensions & aeraulic performance

| Roof opening dimensions<br>A x B (cm) | Overall heel dimensions<br>C x D (cm) | Height H* (cm) | Light surface<br>(m <sup>2</sup> ) | E (cm) | Product weight<br>(kg) | Av<br>(m <sup>2</sup> ) | Aa<br>(m <sup>2</sup> )<br>SD |
|---------------------------------------|---------------------------------------|----------------|------------------------------------|--------|------------------------|-------------------------|-------------------------------|
| 100 x 100                             | 117 x 117                             | 23             | 1.00                               | 165    | 53                     | 1.00                    | 0.57                          |
| 120 x 120                             | 137 x 137                             | 23             | 1.44                               | 186    | 64                     | 1.44                    | 0.77                          |
| 140 x 140                             | 157 x 157                             | 23             | 1.96                               | 207    | 75                     | 1.96                    | 0.97                          |
| 150 x 150                             | 167 x 167                             | 23             | 2.25                               | 228    | 81                     | 2.25                    | 1.08                          |
| 160 x 160                             | 177 x 177                             | 23             | 2.56                               | 240    | 86                     | 2.56                    | 1.18                          |
| 180 x 180                             | 197 x 197                             | 25             | 3.24                               | 274    | 97                     | 3.24                    | 1.38                          |
| 195 x 200                             | 212 x 217                             | 25             | 3.90                               | 285    | 108                    | 3.90                    | 1.54                          |
| 100 x 150                             | 117 x 167                             | 23             | 1.50                               | 165    | 63                     | 1.50                    | 0.85                          |
| 100 x 200                             | 117 x 167                             | 25             | 2.00                               | 165    | 75                     | 2.00                    | 1.15                          |
| 120 x 200                             | 117 x 217                             | 28             | 2.40                               | 186    | 82                     | 2.40                    | 1.29                          |
| 140 x 200                             | 157 x 217                             | 25             | 2.80                               | 207    | 89                     | 2.80                    | 1.40                          |
| 120 x 250                             | 137 x 267                             | 25             | 3.00                               | 186    | 93                     | 3.00                    | 1.64                          |

Contact us for other dimensions.  
\* For an upstand height of 170 mm

## Thermal performance: U<sub>RC</sub> (W/m<sup>2</sup>.K) and ARC (m<sup>2</sup>)

| PYRODÔME® ÉVOLUTION ÉLECTRIQUE CAPPING UPSTAND |                        |        |         |        |          |         |                              |             |                 |
|--|------------------------|--------|---------|--------|----------|---------|------------------------------|-------------|-----------------|
| Dimensions<br>(cm)                             | Upstand height: 170 mm |        |         |        |          |         |                              |             |                 |
|  | U <sub>RC</sub>        |        |         |        |          |         |                              |             | A <sub>RC</sub> |
|  | Acoustik' Light        | PCA 16 | PCA 16+ | PCA 20 | PCA 32** | PCA 32+ | Opaque 40 mm aluminium cover | Triple dome |                 |
| 100 x 100                                      | 3.2                    | 3      | 2.8     | 2.7    | 2.4      | 2.3     | 2.3                          | 3.7         | 3.2             |
| 120 x 120                                      | 3.1                    | 2.9    | 2.7     | 2.6    | 2.3      | 2.3     | 2.1                          | 3.6         | 3.9             |
| 140 x 140                                      | 3                      | 2.9    | 2.6     | 2.5    | 2.2      | 2.2     | 2                            | 3.6         | 4.8             |
| 150 x 150                                      | 3                      | 2.8    | 2.6     | 2.5    | 2.2      | 2.1     | 2                            | 3.5         | 5.2             |
| 160 x 160                                      | 2.9                    | 2.8    | 2.5     | 2.4    | 2.2      | 2       | 1.9                          | 3.5         | 5.7             |
| 180 x 180                                      | 2.9                    | 2.7    | 2.4     | 2.4    | 2.1      | 2       | 1.9                          | 3.5         | 6.7             |
| 195 x 200                                      | 2.8                    | 2.7    | 2.4     | 2.3    | 2        | 1.9     | 1.8                          | /           | 7.7             |
| 100 x 150                                      | 3.1                    | 2.9    | 2.7     | 2.6    | 2.3      | 2.2     | 2.1                          | 3.6         | 4.1             |
| 100 x 200                                      | 3                      | 2.9    | 2.6     | 2.5    | 2.3      | 2.1     | 2.1                          | 3.6         | 5.0             |
| 120 x 200                                      | 3                      | 2.8    | 2.5     | 2.5    | 2.2      | 2.1     | 2                            | 3.5         | 5.6             |
| 140 x 200                                      | 2.9                    | 2.8    | 2.5     | 2.4    | 2.1      | 2       | 1.9                          | 3.5         | 6.1             |
| 120 x 250                                      | 2.9                    | 2.8    | 2.5     | 2.4    | 2.1      | 2       | 1.9                          | 3.5         | 6.6             |

\* For a 180 x 180 cm unit with a 360 mm high upstand and PCA 32+ filling  
\*\* Adding a dome has no effect on the unit's thermal conductivity U<sub>RC</sub>.



### SKYDÔME

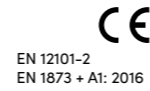
Entre Deux Villes  
02270 Sons-Et-Ronchères, France  
Tel: +33 (0)3 23 21 79 90  
Email: info@skydome.eu  
www.skydome.eu

For the product range in other countries, please contact your local representative or visit [www.skydome.eu](http://www.skydome.eu).

SKYDÔME reserves the right to modify product specifications without notice. The information and technical details contained in this documentation are provided in good faith and apply to the uses described. The recommendations for use must be checked to ensure they are appropriate and comply with the actual requirements, the specifications and all applicable legislation and regulations. For other applications and conditions of use, please contact our technical team. Their advice must be sought concerning uses of our products that are not described specifically herein. Click this link to check that you are seeing the most up-to-date and accurate information about our products: [https://www.skydome.eu/fr/produit/14\\_pyrodome-evolution-electrique.html](https://www.skydome.eu/fr/produit/14_pyrodome-evolution-electrique.html)

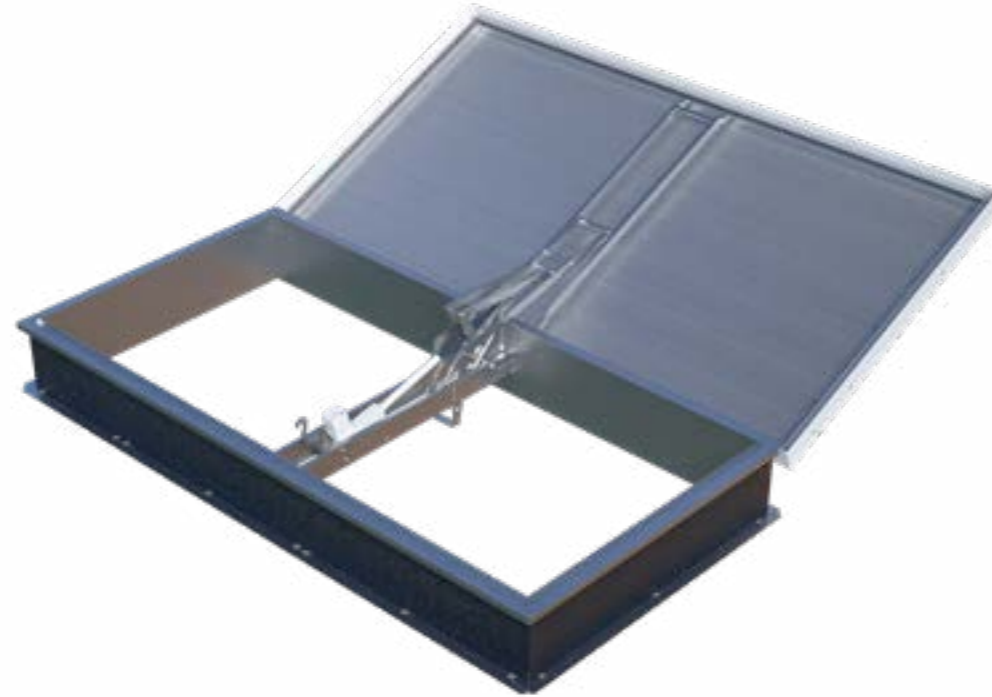
# PYRODÔME®

Évolution Électrique



ORIGIN' VERSION

The PYRODÔME® ÉVOLUTION ÉLECTRIQUE is an NSHEV intended primarily for smoke and heat exhaust applications. It is suitable for use on waterproofed flat roofs on all types of buildings (including public facilities, work premises and industrial buildings).



Also available:



### Types of filling

ORIGIN' RANGE:  
• Opal PCA 10



### Upstand

- Straight upstand
- 1.2 mm galvanised steel

ORIGIN' RANGE:

- Height 310 mm with a 15 mm bituminous insulating coating



### Control

- Electric opening/closing
- Built-in and offset mechanism for 100x100 cm and 120x120 cm roof opening dimensions
- Restricted to 80° for roof access
- Restricted to 20° for ventilation

## OPTIONS



### Types of filling

- Opal PCA 10 IR
- Black and white opaque PCA 10
- Transparent PCA 10
- PCA 10 + Lumira\*
- Insulated aluminium cover
- PMMA double dome
- Solid PC double dome



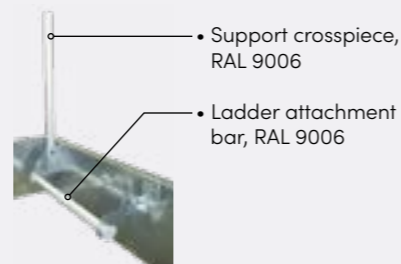
### Upstand

- Upstand height: 360 mm, 410 mm or more
- Lacquered interior
- Colaminated sheet steel top for PVC waterproofing
- Galvanised sheet steel top for PVC waterproofing
- Bare insulation for PVC waterproofing
- With/without wind baffles (SD/AD)



### Other information

- 6 mm round bar or 16x16 mm 1200 joule square tube grid, galvanised or lacquered in standard RAL
- 16x16 mm security bars on opening system
- Ladder attachment bar, lacquered grey
- Support crosspiece, lacquered grey



• Support crosspiece, RAL 9006

• Ladder attachment bar, RAL 9006

### Capping upstand

See page 04 for details.

## Dimensions

| Roof opening dimensions A x B (cm) |                   | Overall heel dimensions C x D (cm) |                   | Height H* (cm)   |    |                   |    | Light surface (m <sup>2</sup> ) | E (cm) | Product weight (kg) |     |                   |     |
|------------------------------------|-------------------|------------------------------------|-------------------|------------------|----|-------------------|----|---------------------------------|--------|---------------------|-----|-------------------|-----|
| Straight upstand                   | XL skewed upstand | Straight upstand                   | XL skewed upstand | Straight upstand |    | XL skewed upstand |    |                                 |        | Straight upstand    |     | Skewed XL upstand |     |
|                                    |                   |                                    |                   | PCA              | DD | PCA               | DD |                                 |        | PCA                 | DD  | PCA               | DD  |
| 100 x 100                          | 114 x 114         | 118 x 118                          | 132 x 132         | 37               | 56 | 37                | 27 | 1.00                            | 165    | 63                  | 69  | 67                | 73  |
| 120 x 120                          | 134 x 134         | 138 x 138                          | 152 x 152         | 37               | 59 | 37                | 59 | 1.44                            | 186    | 76                  | 86  | 81                | 90  |
| 140 x 140                          | 154 x 154         | 158 x 158                          | 172 x 172         | 37               | 62 | 37                | 62 | 1.96                            | 207    | 90                  | 103 | 95                | 109 |
| 150 x 150                          | 164 x 164         | 168 x 168                          | 182 x 182         | 37               | 64 | 37                | 64 | 2.25                            | 228    | 96                  | 112 | 102               | 118 |
| 160 x 160                          | 174 x 174         | 178 x 178                          | 192 x 192         | 37               | 65 | 37                | 65 | 2.56                            | 240    | 103                 | 122 | 109               | 128 |
| 180 x 180                          | 194 x 194         | 198 x 198                          | 212 x 212         | 39               | 68 | 39                | 68 | 3.24                            | 274    | 116                 | -   | 123               | -   |
| 195 x 200                          | 209 x 214         | 213 x 218                          | 227 x 232         | 39               | 73 | 39                | 73 | 3.90                            | 285    | 129                 | -   | 137               | -   |
| 100 x 150                          | 114 x 164         | 118 x 168                          | 132 x 182         | 37               | 56 | 37                | 56 | 1.50                            | 165    | 76                  | 86  | 81                | 91  |
| 100 x 200                          | 114 x 214         | 118 x 218                          | 132 x 232         | 39               | 56 | 39                | 56 | 2.00                            | 165    | 90                  | 104 | 96                | 110 |
| 120 x 200                          | 134 x 214         | 138 x 218                          | 152 x 232         | 38               | -  | 38                | -  | 2.40                            | 186    | 98                  | -   | 105               | -   |
| 140 x 200                          | 154 x 214         | 158 x 218                          | 172 x 232         | 39               | 62 | 39                | 62 | 2.80                            | 207    | 106                 | -   | 113               | -   |
| 120 x 250                          | 134 x 264         | 138 x 268                          | 152 x 282         | 39               | 59 | 39                | 59 | 3.00                            | 186    | 112                 | -   | 110               | -   |

Contact us for other dimensions.  
\* For an upstand height of 360 mm

## Filling performance

|       | Type of filling   | Thermal transmittance factor Ug (W/m <sup>2</sup> .K) | LT D65 <sup>(2)</sup> | SF or g <sup>(2)</sup> | Reaction to fire | R <sub>wr</sub> (dB) <sup>(3)</sup> |
|-------|---|---|-----------------------|------------------------|------------------|-------------------------------------|
|       |   | U <sub>hor</sub> <sup>(1)</sup>                       |                       |                        |                  |                                     |
| PCA   | Opal 4-wall PCA 10  | 2.9   | 61%                   | 61%                    | B-s1-d0          | R <sub>w</sub> =19 dB               |
|       | Transparent PCA 10 with Lumira™ aerogel                           | ND  | ND                    | ND                     | ND               | ND                                  |
| Cover | 40 mm aluminium cover   | 0.85  | 0%                    | ND                     | ND               | ND                                  |
| Dome  | Opal PMMA double dome<br>Opal upper dome + transparent lower dome | 2.89  | 84%                   | ND                     | ND               | ND                                  |

<sup>(1)</sup>Relative to the horizontal, as per §2.31 of the Th-Bat regulations.

<sup>(2)</sup>Light transmittance LT D65 and solar transmittance SF (TST or g) as per EN 410.

<sup>(3)</sup>Filling insulated against airborne noise R<sub>w</sub>, pink noise R<sub>p</sub> (environment, airport and industrial activities) and road noise R<sub>rd</sub>, laboratory-measured according to NF EN ISO 140.

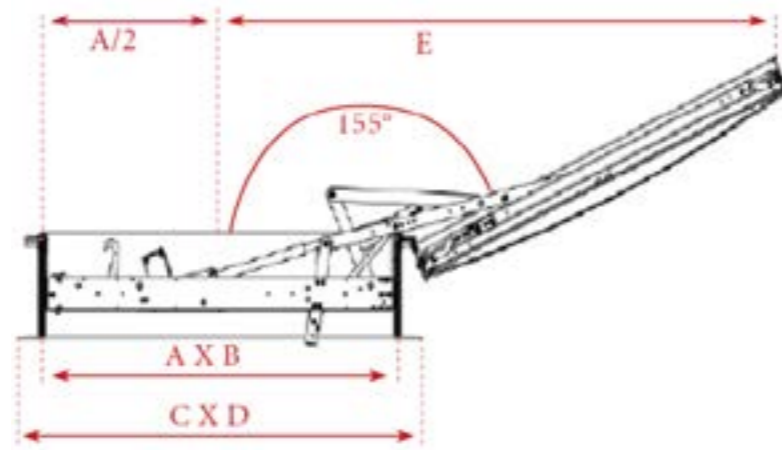
## Control system

We supply versatile installation kits for controlling the PYRODÔME® ÉVOLUTION ÉLECTRIQUE and PYRODÔME® ÉVOLUTION ÉLECTRIQUE CAPPING UPSTAND. These easy-to-use kits combine a core kit with a range of (mechanical, pneumatic or electrical) satellite kits. See the *Installation Kits* datasheet for a full list of our kits.

Technical diagrams

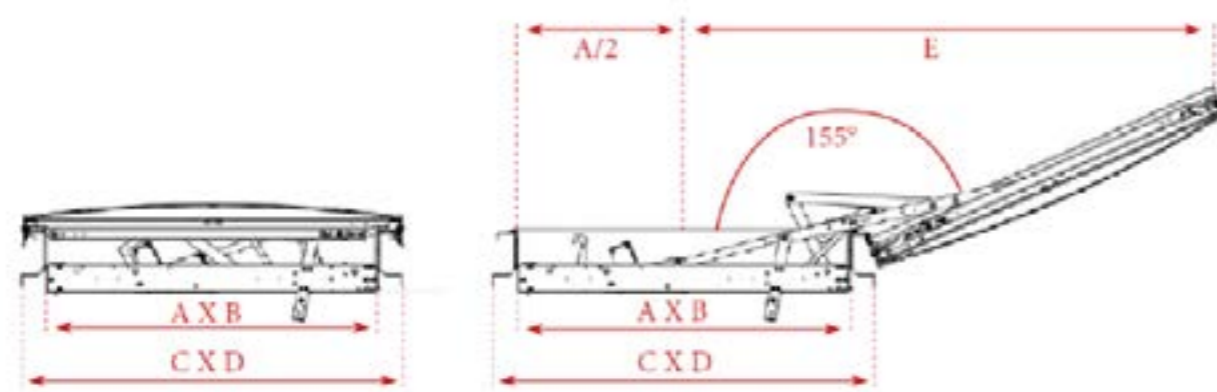
ORIGIN' range

PYRODÔME ÉVOLUTION ÉLECTRIQUE PCA



ORIGIN' range capping upstand

PYRODÔME ÉVOLUTION ÉLECTRIQUE PCA



PERFORMANCE

**Exhaust ventilator opening:** type B  
**Reliability:** Re 1000 + Re 10000 (with ventilation kit)  
**Low ambient temperature:** T(-15°C)  
**Resistance to heat:** B<sub>300</sub>  
**Resistance to wind load:** WL1500 (1 crosspiece) / WL3000 (2 crosspieces)  
**Opening under load:** SL 250 depending on filling  
 Thermo-fuse requires a thermal detection head (not included in the product)  
 Also available in WL 3000: contact us for details.

COMPLIANCE & INSTALLATION

CE certified NSHEV compliant with **NF EN 12101-2. (Product certification No. 0204 CPR 500026\*)**  
 The product must be fastened and sealed in accordance with the requirements defined in the applicable DTU specifications (series 40 and 43).  
 Maximum insulation height: as per the DTUs, the sealing flashing must extend to a height of at least 150 mm.  
 The waterproofing complex (substrate, vapour barrier, insulation and two-layer sealant) must be no thicker than 140 mm for an interior upstand height of 310 mm, or 240 mm for an interior upstand height of 410 mm.  
 Maximum permissible slope: 25° or 46% , if the hinge is parallel to the roof slope and Av is < 2 m<sup>2</sup> (see installation instructions).  
 Only the security bar option provides guaranteed 1200 joule protection.  
**DoP available at [www.skydome.eu](http://www.skydome.eu)**

FOR RENOVATION AND COMPLIANCE WORKS

The **PYRODÔME® ÉVOLUTION ÉLECTRIQUE CAPPING UPSTAND** is designed to fit any type of upstand, whether for compliance reasons or to change the NSHEV's purpose **while retaining the existing upstand.**



Filling

- Opal multi-wall PCA 10
- Ug = 2.9 W/m<sup>2</sup>.K



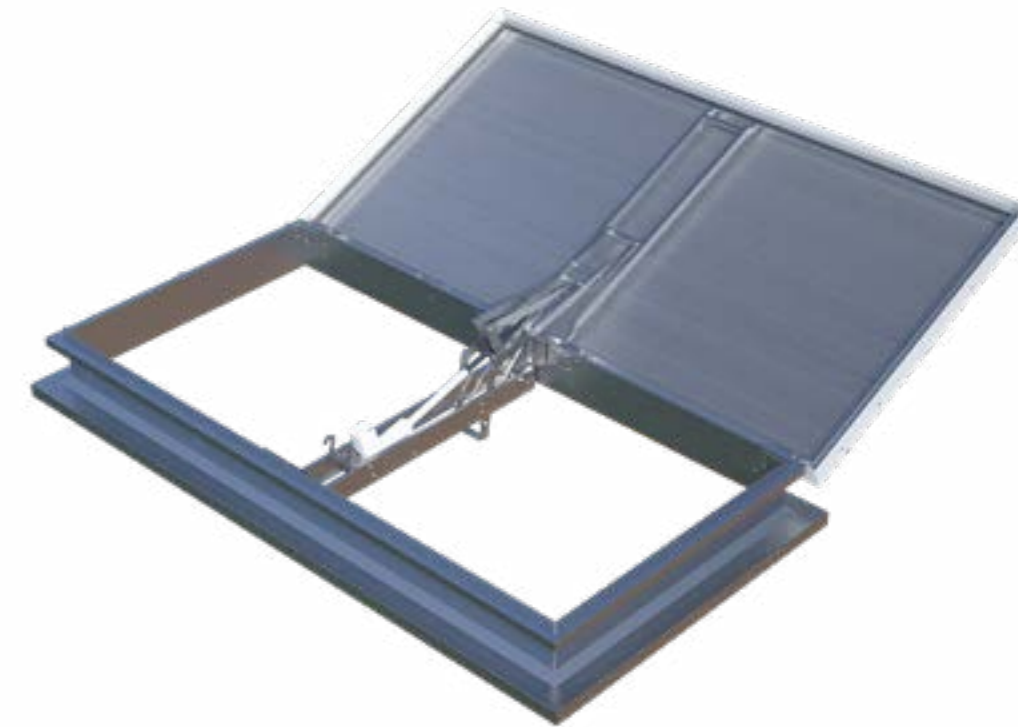
Upstand

- Bevelled adapter upstand with 84 mm heel and 40 mm overlap
- 1.2 mm galvanised steel
- Height 170 mm

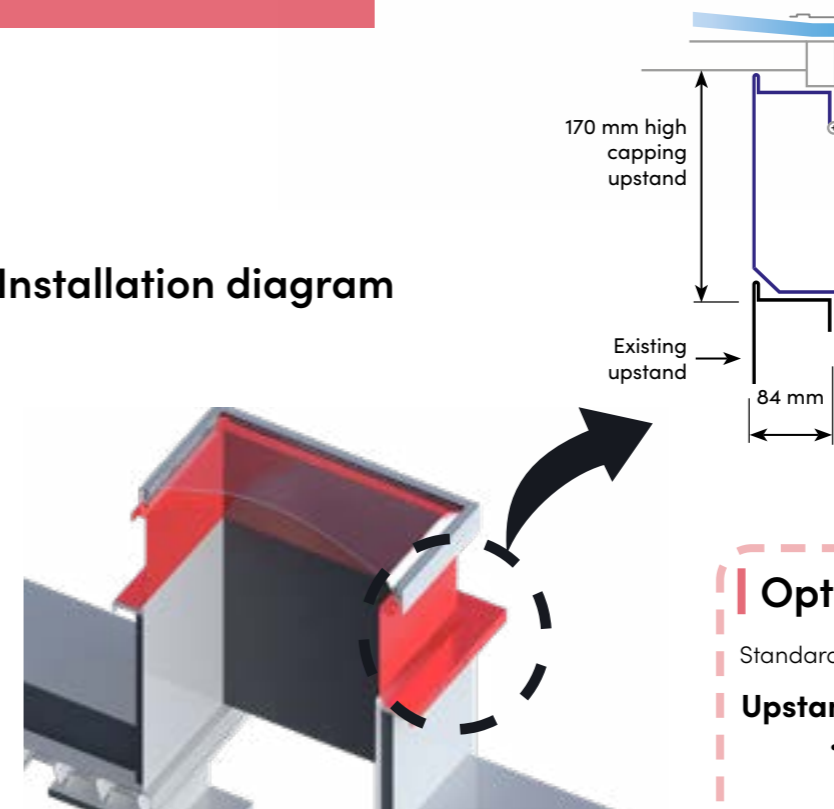


Control

- Electric opening/closing
- Built-in and offset mechanism for 100x100 cm and 120x120 cm roof opening dimensions



Installation diagram



Options

Standard options list p.1

Upstand

- Upstand insulation including a galvanised steel protection plate
- Heel width on request for fitting to existing substrate
- Upstand height on request

## Electrical performance of motor

| Dimensions (cm) |        | Power consumption of the THERMIK range *<br>PYRODÔME ÉVOLUTION ÉLECTRIQUE<br>PCA16 / PCA16+ / PCA 32 / PCA32+ / 40mm cover |      |       |      |       |      |        |      |        |      |
|-----------------|--------|--|------|-------|------|-------|------|--------|------|--------|------|
| Width           | Length | SL250  |      | SL500 |      | SL800 |      | SL1000 |      | SL1500 |      |
|                 |        | 24 V   | 48 V | 24 V  | 48 V | 24 V  | 48 V | 24 V   | 48 V | 24 V   | 48 V |
| 100             | 100    | 2  | 1    | 2     | 1    | 2     | 1    | 2      | 1    | 4      | 2    |
|                 | 150    | 2  | 1    | 2     | 1    | 2     | 1    | 4      | 2    | 6      | 3    |
|                 | 200    | 2  | 1    | 2     | 1    | 4     | 2    | 6      | 3    | 8      | 4    |
| 110             | 110    | 2  | 1    | 2     | 1    | 2     | 1    | 4      | 2    | 6      | 3    |
| 120             | 120    | 2  | 1    | 2     | 1    | 4     | 2    | 6      | 3    | 6      | 3    |
|                 | 200    | 2  | 1    | 4     | 2    | 6     | 3    | 8      | 4    | 12     | 6    |
|                 | 250    | 2  | 1    | 4     | 2    | 8     | 4    | 8      | 4    | 12     | 6    |
| 140             | 140    | 2  | 1    | 4     | 2    | 6     | 3    | 6      | 3    | 12     | 6    |
|                 | 200    | 4  | 2    | 4     | 2    | 8     | 4    | 12     | 6    | 12     | 6    |
| 150             | 150    | 2  | 1    | 4     | 2    | 8     | 4    | 8      | 4    | 12     | 6    |
| 160             | 160    | 4  | 2    | 4     | 2    | 8     | 4    | 12     | 6    | 12     | 6    |
| 170             | 170    | 4  | 2    | 4     | 2    | 12    | 6    | 12     | 6    |        |      |
| 180             | 180    | 6  | 3    | 8     | 4    | 12    | 6    |        |      |        |      |
| 200             | 195    | 6  | 3    | 12    | 6    | 12    | 6    |        |      |        |      |

1 crosspiece: 2A (24V) - 1A (48V)

1 crosspiece: 6A (24V) - 3A (48V)

2 crosspieces: 12A (24V) - 6A (48V)

1 crosspiece: 4A (24V) - 2A (48V)

2 crosspieces: 8A (24V) - 4A (48V)

## Aeraulic performance

| Roof opening dimensions<br>A x B (cm) |                      | Av (m²) | PYRODÔME<br>EVOLUTION<br>ÉLECTRIQUE | PYRODÔME EVOLUTION ÉLECTRIQUE XL |               |
|---------------------------------------|----------------------|---------|-------------------------------------|----------------------------------|---------------|
| Straight<br>upstand                   | XL skewed<br>upstand |         | Aα (m²)<br>SD                       | Av (m²)                          | Aα (m²)<br>SD |
| 100 x 100                             | 114 x 114            | 1.00    | 0.55                                | 1.30                             | 0.70          |
| 120 x 120                             | 134 x 134            | 1.44    | 0.78                                | 1.80                             | 0.97          |
| 140 x 140                             | 154 x 154            | 1.96    | 1.04                                | 2.37                             | 1.27          |
| 150 x 150                             | 164 x 164            | 2.25    | 1.18                                | 2.69                             | 1.43          |
| 160 x 160                             | 174 x 174            | 2.56    | 1.34                                | 3.03                             | 1.61          |
| 180 x 180                             | 194 x 194            | 3.24    | 1.67                                | 3.76                             | 1.99          |
| 195 x 200                             | 209 x 214            | 3.90    | 2.04                                | 4.47                             | 2.40          |
| 100 x 150                             | 114 x 164            | 1.50    | 0.81                                | 1.87                             | 1.01          |
| 100 x 200                             | 114 x 214            | 2.00    | 1.00                                | 2.44                             | 1.32          |
| 120 x 200                             | 134 x 214            | 2.40    | 1.21                                | 2.87                             | 1.45          |
| 140 x 200                             | 154 x 214            | 2.80    | 1.42                                | 3.30                             | 1.68          |
| 120 x 250                             | 134 x 264            | 3.00    | 1.41                                | 3.54                             | 1.71          |



### SKYDÔME

Entre Deux Villes  
02270 Sons-Et-Ronchères, France  
Tel: +33 (0)3 23 21 79 90  
Email: info@skydome.eu  
www.skydome.eu

For the product range in other countries, please contact your local representative or visit [www.skydome.eu](http://www.skydome.eu).

SKYDÔME reserves the right to modify product specifications without notice. The information and technical details contained in this documentation are provided in good faith and apply to the uses described. The recommendations for use must be checked to ensure they are appropriate and comply with the actual requirements, the specifications and all applicable legislation and regulations. For other applications and conditions of use, please contact our technical team. Their advice must be sought concerning uses of our products that are not described specifically herein. Click this link to check that you are seeing the most up-to-date and accurate information about our products: [https://www.skydome.eu/fr/produit/14\\_pyrodome-evolution-electrique.html](https://www.skydome.eu/fr/produit/14_pyrodome-evolution-electrique.html)