

PYROMAX[®]

CE
EN 12101-2
EN 1873 + A1 : 2016

Électrique

VERSION



Types of filling

THERMIK' RANGE:

- PCA 16
- PCA 16 + Lumira*
- PCA 32
- PCA 32 + Lumira*
- Acoustik'Light



Upstand

- Straight upstand
- 1.2 mm galvanised steel

THERMIK' RANGE:

- Height 360 mm with a 30 mm bituminous insulating coating



Control

- Electric opening/closing
- Restricted to 20° for ventilation

The PYROMAX[®] ÉLECTRIQUE is an NSHEV intended for use on waterproofed flat roofs on all types of buildings (including public facilities, work premises and industrial buildings). It is particularly suitable for large buildings requiring multi-device smoke exhaust systems.



Also available:



OPTIONS



Types of filling

- Opal PCA 16 IR
- Grey PCA 16
- Transparent PCA 16
- Insulated aluminium cover



Upstand

- Supports upstands higher than 360 mm
- Lacquered interior (standard RAL colours)
- Colaminated sheet steel top for PVC waterproofing
- Bare insulation for PVC waterproofing
- Fitted with wind baffles (AD/AD+)



Other information

- 6 mm round bar or 16x16 mm 1200 joule square tube grid, galvanised or lacquered in standard RAL
- Anti-sawing burglar-resistant grid (16x16 mm + R10 tube assembly), galvanised or lacquered in standard RAL



Control

- Limit switches

Capping upstand

See page 7 for details.

Available versions



Dimensions & aeraulic performance

Roof opening dimensions A x B (cm)	Roof opening dimensions C x D (cm)	Height to gutter h* (cm)	Height H* (cm)	Light surface (m ²)	Product weight (kg)		Av (m ²)	Aa (m ²)		
					AD	AD+		SD	AD	AD+
120 x 200	138 x 218	28	42	2.4	132	154	2.40	1.32	1.56	1.66
120 x 250	138 x 268	28	42	3	143	169	3.00	1.62	1.99	2.11
120 x 300	138 x 318	28	42	3.6	156	185	3.60	1.94	2.41	2.56
140 x 200	158 x 218	28	42	2.8	140	164	2.80	1.44	1.86	1.97
140 x 250	158 x 268	28	42	3.5	157	184	3.50	1.73	2.32	2.50
140 x 300	158 x 318	28	42	4.2	167	198	4.20	2.06	2.75	3.01
150 x 200	168 x 218	28	42	3	146	171	3.00	1.46	1.99	2.11
150 x 250	168 x 268	28	42	3.75	160	188	3.75	1.75	2.45	2.68
150 x 300	168 x 318	28	42	4.5	173	205	4.50	2.03	2.91	3.23
160 x 200	178 x 218	28	42	3.2	152	177	3.20	1.56	2.14	2.28
160 x 250	178 x 268	28	42	4	164	193	4.00	1.83	2.61	2.87
160 x 300	178 x 318	28	42	4.8	181	213	4.80	2.17	3.10	3.47
180 x 200	198 x 218	28	42	3.6	159	186	3.60	1.68	2.39	2.58
180 x 250	198 x 268	28	42	4.5	166	196	4.50	1.97	2.97	3.25
180 x 300	198 x 318	28	42	5.4	185	219	5.40	2.29	3.44	3.92
200 x 200	218 x 218	28	42	4	151	179	4.00	1.80	2.64	2.88
200 x 250	218 x 268	28	42	5	166	198	5.00	2.10	3.33	3.62
200 x 300	218 x 318	28	42	6	175	210	6.00	2.40	3.78	4.38
220 x 300	238 x 318	28	42	6.6	183	219	6.60	2.40	4.16	4.36

Contact us for other dimensions.
* For an upstand height of 360 mm
Airflow values for a height of 410mm

Filling performance

Other filling and filling options: see "Filling" data sheet.

Type of filling	Thermal transmittance factor Ug (W/ m ² .K)	LT D65 ⁽²⁾	SF or g ⁽²⁾	Reaction to fire	R _w (dB) ⁽³⁾	
	U _{hor} ⁽¹⁾					
PCA	Opal multi-wall PCA 16	1.9	45%	46%	B-s1-d0	R _w =21 dB
	Transparent PCA 16 with Lumira™ aerogel	1.5	67%	67%	B-s1-d0	R _w =21 dB
	Opal multi-wall PCA 20	1.6	54 %	47%	B-s2-d0	R _w =21 dB
	Transparent multi-wall PCA 32	1.3	33%	49%	B-s2-d0	ND
	Transparent PCA 32 with 50% Lumira™ aerogel	0.97	43%	45%	ND	ND
Cover	40 mm aluminium cover	0.85	0%	ND	ND	ND
Acoustik' Light	Acoustik' Light Transparent PCA 10 & transparent PCA 6	2.1	ND	ND	ND	R _w =21 dB

⁽¹⁾As per §2.31 of the Th-Bat regulations.

⁽²⁾ Light transmittance LT D65 and total solar transmittance SF (TST or g) as per EN 410.

⁽³⁾ Filling insulated against airborne noise R_w, pink noise R_A (environment, airport and industrial activities) and road noise RA, Tr laboratory-measured according to NF EN ISO 140.

Electrical performance

Dimensions (cm)		Filling for THERMIK' range									
Width	Length	SL 250		SL 500		SL 800		SL 1000		SL 1500	
		24 V	48 V	24 V	48 V	24 V	48 V	24 V	48 V	24 V	48 V
120	200	4	2	4	2	8	4	8	4	8	4
	250	4	2	4	2	8	4	8	4	8	4
	300	4	2	4	2	8	4	8	4	8	4
140	250	4	2	4	2	8	4	8	4	8	4
	300	4	2	4	2	8	4	8	4	8	4
150	200	4	2	4	2	8	4	8	4	8	4
	250	4	2	4	2	8	4	8	4	8	4
	300	4	2	4	2	8	4	8	4	8	4
160	200	4	2	8	4	8	4	8	4		
	250	4	2	8	4	8	4	8	4		
	300	4	2	8	4	8	4	8	4		
180	200	4	2	8	4	8	4	8	4		
	250	4	2	8	4	8	4	8	4		
	300	4	2	8	4	8	4	8	4		
200	200	4	2	8	4	8	4	8	4		
	250	4	2	8	4	16	8	16	8		
	300	4	2	8	4	16	8	16	8		
220	300	4	2	8	4	16	8	16	8		

*Skewed upstand along the length

2 crosspieces: 4A (24V) - 2A (48V)

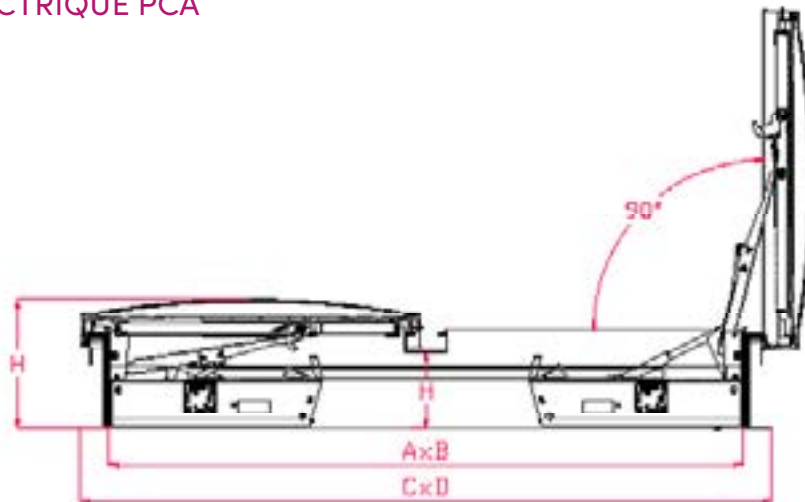
4 crosspieces: 16A (24V) - 8A (48V)

2 crosspieces: 8A (24V) - 4A (48V)

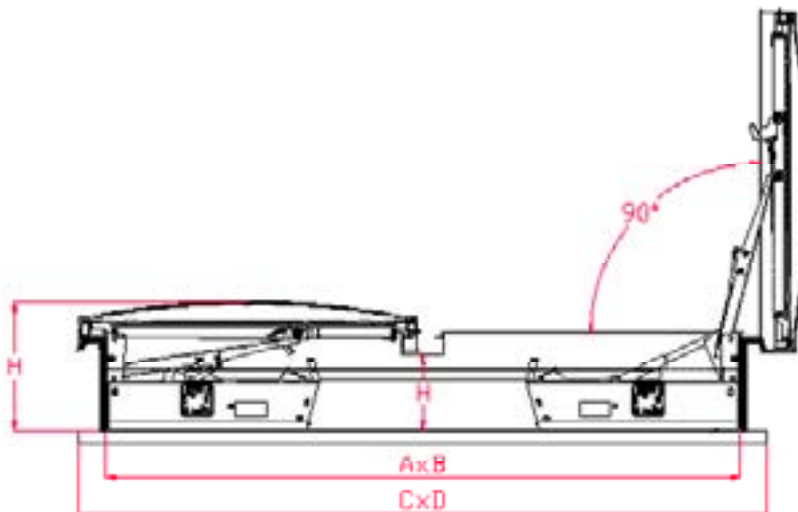
Technical diagrams

THERMIK' range

PYROMAX ÉLECTRIQUE PCA



PYROMAX ÉLECTRIQUE PCA capping upstand



PERFORMANCE

Exhaust ventilator opening: type B (open + close)

Reliability: Re 1000 + 10000 (with ventilation kit)

Low ambient temperature: T(-15°C)

Resistance to heat: B₃₀₀

Resistance to wind load: WL 3000 (2 crosspieces) / WL1500 (1 crosspiece)

Opening under load: up to SL1500 depending on dimensions

COMPLIANCE & INSTALLATION

CE certified NSHEV compliant with **NF EN 12101-2 (product certification pending)**.

The product must be fastened and sealed in accordance with the requirements defined in the applicable DTU specifications (series 40 and 43).

Maximum insulation height: as per the DTUs, the sealing flashing must extend to a height of at least 150 mm.

The waterproofing complex (substrate, vapour barrier, insulation and two-layer sealant) must be no thicker than 170 mm for an interior upstand height of 410 mm.

Maximum permissible slope: 20° or 36% (see installation instructions).

Only the security bar option provides guaranteed 1200 joule protection.

DoP available at www.skydome.eu

Trade name

Trade name	Filling	Upstand insulation
PYROMAX ÉLECTRIQUE	THERMIK' 16	16 mm PCA(Opal PCA)
	THERMIK' 16+	16 mm PCA with LUMIRA (Transparent PCA)
	THERMIK' 20	20 mm PCA (Opal PCA)
	THERMIK' 32	32 mm PCA (Transparent PCA)
	THERMIK' 32+	16 mm PCA + 16 mm PCA with LUMIRA (Transparent PCA)
	THERMIK' 40 OPAQUE	40 mm aluminium cover
	THERMIK' ACOUSTIK' LIGHT	10 mm PCA + 6 mm solid PC
		Upstand height: 410 mm Insulation: • on vertical part of upstand • on upstand lip

Air permeability and light surface*

Roof opening dimensions A x B (cm)	Air flow (m ³ /h) - Class AP06 ⁽¹⁾		ELS ⁽²⁾ (m ²)	
	Less than 4 Pa	Less than 50 Pa	Height 360 mm	Height 410 mm
120 x 200	0.31	2.00	0.92	0.91
120 x 250	0.37	2.38	1.16	1.14
120 x 300	0.43	2.77	1.4	1.38
140 x 200	0.32	2.08	1.09	1.07
140 x 250	0.38	2.46	1.37	1.35
140 x 300	0.44	2.84	1.32	1.68
150 x 200	0.33	2.11	1.17	1.15
150 x 250	0.39	2.50	1.48	1.46
150 x 300	0.45	2.88	1.78	1.76
160 x 200	0.34	2.15	1.25	1.24
160 x 250	0.40	2.54	1.58	1.56
160 x 300	0.46	2.92	1.91	1.89
180 x 200	0.35	2.23	1.42	1.4
180 x 250	0.41	2.61	1.79	1.77
180 x 300	0.47	3.00	2.16	2.14
200 x 200	0,36	2.31	1.58	1.56
200 x 250	0.42	2.69	2	1.98
200 x 300	0.48	3.08	2.41	2.39
220 x 300	0.49	3.15	2.74	2.72

⁽¹⁾ Air permeability tests carried out at the CSTC test centre as per NF EN 1873 protocols (with reference to the standards NF EN 12152 and NF EN 12153).

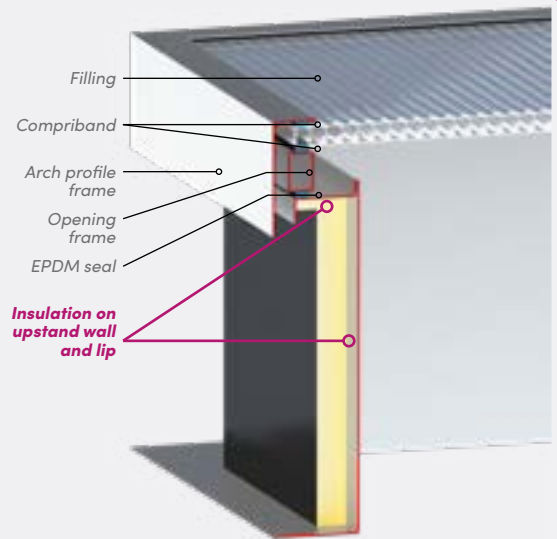
⁽²⁾ Effective light surface calculated with white lacquered upstand and PCA 16 filling.

* Contact us for details of all possible performance options.

U_{rc}: 2 W/m².K*

ENHANCED THERMAL INSULATION:

- ✓ **Wide range of filling options** with different thermal insulation, light transmittance and solar factor performance
- ✓ **Compliant with applicable DTU specifications**
- ✓ **U_{RC} = 2 W/m².K***



Thermal performance: U_{RC} (W/m².K) and A_{RC} (m²)

PYROMAX® ÉLECTRIQUE																
Dimensions (cm)	Upstand height: 360 mm								Upstand height: 410 mm							
	U _{RC}							A _{RC}	U _{RC}							A _{RC}
	Acoustik' Light	PCA 16	PCA 16+	PCA 20	PCA 32**	PCA 32+	Opaque 40 mm aluminium cover		Acoustik' Light	PCA 16	PCA 16+	PCA 20	PCA 32**	PCA 32+	Opaque 40 mm aluminium cover	
120 x 200	2.7	2.6	2.5	2.4	2.3	2.2	2.1	5.4	2.7	2.6	2.4	2.3	2.3	2.2	2.7	5.8
120 x 250	2.7	2.7	2.5	2.5	2.3	2.2	2.1	6.5	2.7	2.6	2.4	2.3	2.3	2.2	2.7	6.9
120 x 300	2.8	2.7	2.5	2.5	2.3	2.2	2.1	7.6	2.7	2.6	2.5	2.3	2.3	2.2	2.7	8.0
140 x 200	2.7	2.6	2.4	2.4	2.3	2.1	2	6.0	2.7	2.5	2.4	2.2	2.2	2.1	2.7	6.4
140 x 250	2.7	2.6	2.4	2.4	2.3	2.1	2	7.2	2.7	2.5	2.4	2.3	2.2	2.1	2.7	7.6
140 x 300	2.7	2.6	2.4	2.4	2.3	2.1	2	8.3	2.7	2.6	2.4	2.3	2.3	2.1	2.7	8.8
150 x 200	2.6	2.6	2.4	2.4	2.2	2.1	2	6.3	2.6	2.5	2.3	2.2	2.2	2.1	2.6	6.7
150 x 250	2.7	2.6	2.4	2.4	2.2	2.1	1.9	7.5	2.6	2.5	2.3	2.2	2.2	2.1	2.6	7.9
150 x 300	2.7	2.6	2.4	2.4	2.2	2.1	2	8.7	2.6	2.5	2.4	2.2	2.2	2.1	2.6	9.2
160 x 200	2.6	2.5	2.4	2.3	2.2	2.1	1.9	6.6	2.6	2.5	2.3	2.2	2.2	2.1	2.6	7.0
160 x 250	2.6	2.5	2.4	2.3	2.2	2.1	1.9	7.9	2.6	2.5	2.3	2.2	2.2	2.1	2.6	8.3
160 x 300	2.7	2.5	2.4	2.3	2.2	2.1	1.9	9.1	2.6	2.5	2.3	2.2	2.2	2.1	2.6	9.6
180 x 200	2.6	2.5	2.4	2.3	2.1	2	1.9	7.2	2.6	2.4	2.3	2.2	2.1	2	2.6	7.6
180 x 250	2.6	2.5	2.3	2.3	2.1	2	1.9	8.6	2.6	2.5	2.3	2.2	2.1	2	2.6	9.0
180 x 300	2.6	2.5	2.3	2.3	2.1	2	1.9	9.9	2.6	2.5	2.3	2.2	2.1	2	2.6	10.4
200 x 200	2.6	2.4	2.2	2.2	2.1	1.9	1.8	7.8	2.5	2.4	2.2	2.1	2.1	2	2.5	8.2
200 x 250	2.6	2.5	2.2	2.2	2.1	1.9	1.8	9.2	2.5	2.4	2.2	2.1	2.1	1.9	2.5	9.7
200 x 300	2.6	2.5	2.2	2.2	2.1	1.9	1.8	10.7	2.5	2.4	2.2	2.1	2.1	1.9	2.5	11.2
220 x 300	2.5	2.4	2.2	2.2	2	1.9	1.8	11.5	2.5	2.4	2.2	2	2	1.9	2.5	12.0

* For a 180 x 200 cm unit with a 360 mm high upstand and PCA 32+ filling
 ** Adding a dome has no effect on the unit's thermal conductivity U_{rc}.

FOR RENOVATION AND COMPLIANCE WORKS

The PYROMAX® ÉLECTRIQUE CAPPING UPSTAND is designed to fit any type of upstand, whether for compliance reasons or to change the unit's purpose **while retaining the existing upstand.**



Filling

THERMIK' RANGE:

- PCA 16
- PCA 16+ Lumira*
- PCA 32
- PCA 32+ Lumira*
- Acoustik'Light



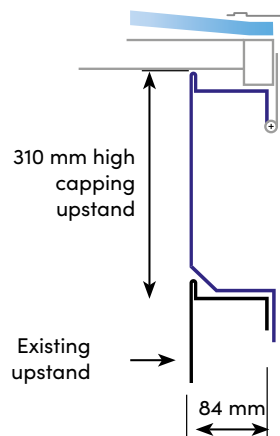
Upstand

- Insulated upstand with galvanised steel protection plate, 84 mm heel and 40 mm overlap
- 1.2 mm galvanised steel
- Height 310 mm

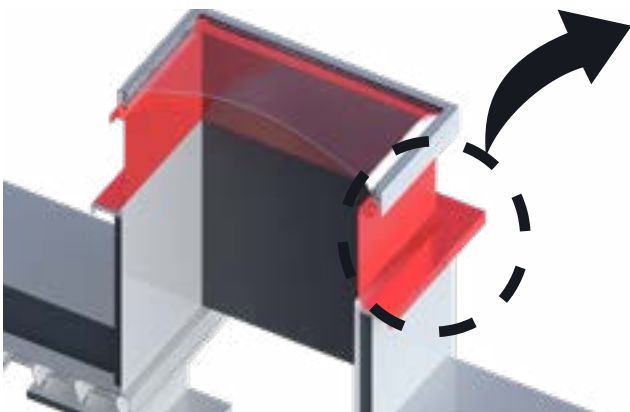


Control

- Electric opening/closing



Installation diagram



Options

Standard options list p.1

Upstand

- Heel width on request for fitting to existing substrate
- Upstand height on request

Dimensions & aeraulic performance

Roof opening dimensions A x B (cm)	Roof opening dimensions C x D (cm)	Height to gutter h* (cm)	Height H* (cm)	Light surface (m ²)	Product weight (kg)		Av (m ²)	Aa (m ²)		
					AD	AD+		SD	AD	AD+
120 x 200	137 x 217	23	37	2.4	126	149	2.40	1.32	1.56	1.66
120 x 250	137 x 267			3	137	162	3.00	1.62	1.99	2.11
120 x 300	137 x 317			3.6	149	178	3.60	1.94	2.41	2.56
140 x 200	157 x 217			2.8	134	158	2.80	1.44	1.86	1.97
140 x 250	157 x 267			3.5	150	177	3.50	1.73	2.32	2.50
140 x 300	157 x 317			4.2	159	190	4.20	2.06	2.75	3.01
150 x 200	167 x 217			3	140	164	3.00	1.46	1.99	2.11
150 x 250	167 x 267			3.75	153	181	3.75	1.75	2.45	2.68
150 x 300	167 x 317			4.5	165	197	4.50	2.03	2.91	3.23
160 x 200	177 x 217			3.2	146	171	3.20	1.56	2.14	2.28
160 x 250	177 x 267			4	157	186	4.00	1.83	2.61	2.87
160 x 300	177 x 317			4.8	173	205	4.80	2.17	3.10	3.47
180 x 200	197 x 217			3.6	152	179	3.60	1.68	2.39	2.58
180 x 250	197 x 267			4.5	158	189	4.50	1.97	2.97	3.25
180 x 300	197 x 317			5.4	177	210	5.40	2.29	3.44	3.92
200 x 200	217 x 217			4	144	172	4.00	1.80	2.64	2.88
200 x 250	217 x 267			5	158	190	5.00	2.10	3.33	3.62
200 x 300	217 x 317			6	166	201	6.00	2.40	3.78	4.38
220 x 300	237 x 317			6.6	174	210	6.60	2.40	4.16	4.36

Contact us for other dimensions.
 * For an upstand height of 310 mm
 Airflow values for a height of 410mm

Thermal performance: U_{RC} (W/m².K) and A_{RC} (m²)

PYROMAX® ÉLECTRIQUE CAPPING UPSTAND								
Dimensions (cm)	Upstand height: 410 mm							
	U_{RC}							A_{RC}
	Acoustik' Light	PCA 16	PCA 16+	PCA 20	PCA 32**	PCA 32+	Opaque 40 mm aluminium cover	
120 x 200	2.6	2.8	2.7	2.7	2.7	2.5	2.4	5.1
120 x 250	2.5	2.9	2.7	2.7	2.7	2.5	2.4	6.1
120 x 300	2.7	2.9	2.7	2.7	2.7	2.5	2.4	7.1
140 x 200	2.6	2.8	2.6	2.6	2.6	2.4	2.3	5.7
140 x 250	2.6	2.8	2.6	2.6	2.6	2.4	2.3	6.8
140 x 300	2.6	2.8	2.6	2.6	2.6	2.4	2.3	7.9
150 x 200	2.6	2.7	2.5	2.6	2.5	2.4	2.3	6.0
150 x 250	2.6	2.7	2.5	2.6	2.5	2.4	2.3	7.1
150 x 300	2.6	2.8	2.6	2.6	2.5	2.4	2.3	8.3
160 x 200	2.6	2.8	2.5	2.6	2.5	2.4	2.2	6.2
160 x 250	2.6	2.9	2.5	2.6	2.5	2.3	2.2	7.4
160 x 300	2.6	2.9	2.5	2.6	2.5	2.3	2.2	8.7
180 x 200	2.5	2.7	2.5	2.5	2.4	2.3	2.2	6.8
180 x 250	2.5	2.7	2.5	2.5	2.4	2.3	2.1	8.1
180 x 300	2.6	2.7	2.5	2.5	2.4	2.3	2.1	8.1
200 x 200	2.5	2.6	2.4	2.5	2.4	2.2	2.1	7.4
200 x 250	2.5	2.6	2.4	2.5	2.3	2.2	2.1	8.8
200 x 300	2.5	2.6	2.4	2.5	2.3	2.2	2.1	10.2
220 x 300	2.5	2.6	2.4	2.4	2.3	2.1	2	10.9

SKYDÔME

Entre Deux Villes
02270 Sons-Et-Ronchères, France
Tel: +33 (0)3 23 21 79 90
Email: info@skydome.eu
www.skydome.eu

For the product range in other countries, please contact your local representative or visit www.skydome.eu.

SKYDÔME reserves the right to modify product specifications without notice. The information and technical details contained in this documentation are provided in good faith and apply to the uses described. The recommendations for use must be checked to ensure they are appropriate and comply with the actual requirements, the specifications and all applicable legislation and regulations.

For other applications and conditions of use, please contact our technical team. Their advice must be sought concerning uses of our products that are not described specifically herein.

Click this link to check that you are seeing the most up-to-date and accurate information about our products:
https://www.skydome.eu/fr/produit/108_pyromax-electrique.html

PYROMAX[®]

CE
EN 12101-2
EN 1873 + A1: 2016

Électrique

ORIGIN' **VERSION**



Filling

- Opal PCA 10



Upstand

- Straight upstand
- 1.2 mm galvanised steel

ORIGIN' RANGE:

- Height 310 mm with a 15 mm bituminous insulating coating



Control

- Electric opening/closing
- Built-in mechanism
- Restricted to 20° for ventilation

The PYROMAX[®] ÉLECTRIQUE is an NSHEV intended for use on waterproofed flat roofs on all types of buildings (including public facilities, work premises and industrial buildings). It is particularly suitable for large buildings requiring multi-device smoke exhaust systems.



Also available:



OPTIONS



Types of filling

- Opal PCA 10 IR
- Black and white opaque PCA 10
- Transparent PCA 10
- PCA 10+ Lumira*
- Insulated aluminium cover



Upstand

- Upstand height: 310 mm, 360 mm or more than 410 mm
- Lacquered interior (standard RAL colours)
- Colaminated sheet steel top for PVC waterproofing
- Bare insulation for PVC waterproofing
- Fitted with wind baffles (AD/AD+)



Other information

- 6 mm round bar or 16x16 mm 1200 joule square tube grid, galvanised or lacquered in standard RAL
- Anti-sawing burglar-resistant grid (16x16 mm + R10 tube assembly), galvanised or lacquered in standard RAL



Control

- Limit switch

Capping upstand

See page 5 for details.

Available versions



Dimensions & aeraulic performance

Roof opening dimensions A x B (cm)	Roof opening dimensions C x D (cm)	Height to gutter h* (cm)	Height H* (cm)	Light surface (m ²)	Product weight (kg)		Av (m ²)	Aa (m ²)		
					AD	AD+		SD	AD	AD+
120 x 200	138 x 218	23	37	2.4	132	154	2.40	1.32	1.56	1.66
120 x 250	138 x 268	23	37	3	143	169	3.00	1.62	1.99	2.11
120 x 300	138 x 318	23	37	3.6	156	185	3.60	1.94	2.41	2.56
140 x 200	158 x 218	23	37	2.8	140	164	2.80	1.44	1.86	1.97
140 x 250	158 x 268	23	37	3.5	157	184	3.50	1.73	2.32	2.50
140 x 300	158 x 318	23	37	4.2	167	198	4.20	2.06	2.75	3.01
150 x 200	168 x 218	23	37	3	146	171	3.00	1.46	1.99	2.11
150 x 250	168 x 268	23	37	3.75	160	188	3.75	1.75	2.45	2.68
150 x 300	168 x 318	23	37	4.5	173	205	4.50	2.03	2.91	3.23
160 x 200	178 x 218	23	37	3.2	152	177	3.20	1.56	2.14	2.28
160 x 250	178 x 268	23	37	4	164	193	4.00	1.83	2.61	2.87
160 x 300	178 x 318	23	37	4.8	181	213	4.80	2.17	3.10	3.47
180 x 200	198 x 218	23	37	3.6	159	186	3.60	1.68	2.39	2.58
180 x 250	198 x 268	23	37	4.5	166	196	4.50	1.97	2.97	3.25
180 x 300	198 x 318	23	37	5.4	185	219	5.40	2.29	3.44	3.92
200 x 200	218 x 218	23	37	4	151	179	4.00	1.80	2.64	2.88
200 x 250	218 x 268	23	37	5	166	198	5.00	2.10	3.33	3.62
200 x 300	218 x 318	23	37	6	175	210	6.00	2.40	3.78	4.38
220 x 300	238 x 318	23	37	6.6	183	219	6.60	2.40	4.16	4.36

Contact us for other dimensions.
* For an upstand height of 310 mm
Airflow values for a height of 410mm

Filling performance

Other filling and filling options: see "Filling" data sheet.

Type of filling	Thermal transmittance factor Ug (W/ m ² .K)	LT D65 ⁽²⁾	SF or g ⁽²⁾	Reaction to fire	R _w (dB) ⁽³⁾	
	U _{hor} ⁽¹⁾					
PCA	Opal 4-wall PCA 10	2.9	61%	61%	B-s1-d0	R _w =19 dB
	Transparent PCA 10 with Lumira™ aerogel	ND	ND	ND	ND	ND
Cover	40 mm aluminium cover	0.85	0%	ND	ND	ND
Acoustik' Light	Acoustik' Light Transparent PCA 10 & transparent PCA 6	2.1	ND	ND	ND	R _w =27 dB

⁽¹⁾As per §2.31 of the Th-Bat regulations.

⁽²⁾ Light transmittance LT D65 and total solar transmittance SF (TST or g) as per EN 410.

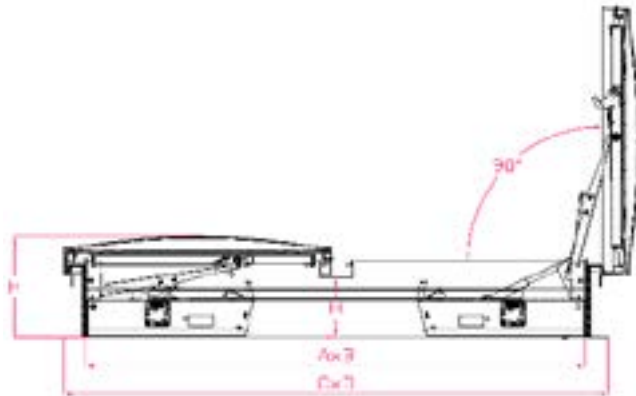
⁽³⁾ Filling insulated against airborne noise R_w, pink noise R_p (environment, airport and industrial activities) and road noise R_{rw}, laboratory-measured according to NF EN ISO 140.

⁽⁴⁾ The acoustic attenuation indices R and rain-generated sound intensity levels LIA were measured for the device in the laboratory according to NF EN ISO 140.

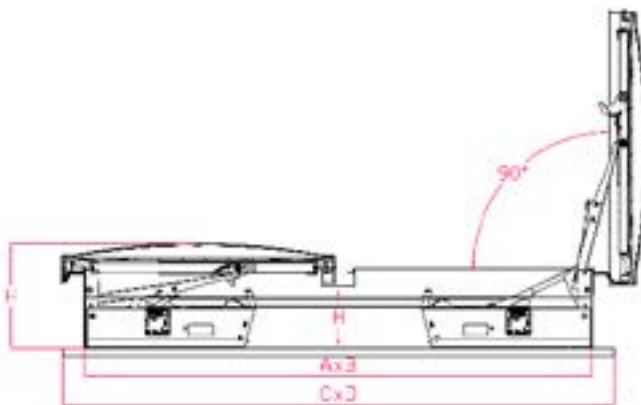
Technical diagrams

ORIGIN' range

PYROMAX ÉLECTRIQUE PCA



PYROMAX ÉLECTRIQUE PCA
capping upstand



PERFORMANCE

- Exhaust ventilator opening: type B (open + close)
- Reliability: Re 1000 + 10000 (with ventilation kit)
- Low ambient temperature: T(-15°C)
- Resistance to heat: B₃₀₀
- Resistance to wind load: WL 3000
- Opening under load: up to SL1500 depending on dimensions

COMPLIANCE & INSTALLATION

- CE certified NSHEV compliant with **NF EN 12101-2 (product certification pending)**.
- The product must be fastened and sealed in accordance with the requirements defined in the applicable DTU specifications (series 40 and 43).
- Maximum insulation height: as per the DTUs, the sealing flashing must extend to a height of at least 150 mm.
- The waterproofing complex (substrate, vapour barrier, insulation and two-layer sealant) must be no thicker than 170 mm for an interior upstand height of 410 mm.
- Maximum permissible slope: 20° or 36% (see installation instructions).
- Only the security bar option provides guaranteed 1200 joule protection.
- DoP available at www.skydome.eu**

Electrical performance

Dimensions (cm)		Filling for ORIGIN' range									
Width	Length	SL 250		SL 500		SL 800		SL 1000		SL 1500	
		24 V	48 V	24 V	48 V	24 V	48 V	24 V	48 V	24 V	48 V
120	200	4	2	4	2	8	4	8	4	8	4
	250	4	2	4	2	8	4	8	4	8	4
	300	4	2	4	2	8	4	8	4	8	4
140	250	4	2	4	2	8	4	8	4	8	4
	300	4	2	4	2	8	4	8	4	8	4
150	200	4	2	4	2	8	4	8	4	8	4
	250	4	2	4	2	8	4	8	4	8	4
	300	4	2	4	2	8	4	8	4	8	4
160	200	4	2	8	4	8	4	8	4		
	250	4	2	8	4	8	4	8	4		
	300	4	2	8	4	8	4	8	4		
180	200	4	2	8	4	8	4	8	4		
	250	4	2	8	4	8	4	8	4		
	300	4	2	8	4	8	4	8	4		
200	200	4	2	8	4	8	4	8	4		
	250	4	2	8	4	16	8	16	8		
	300	4	2	8	4	16	8	16	8		
220	300	4	2	8	4	16	8	16	8		

*Skewed upstand along the length

2 crosspieces: 4A (24V) - 2A (48V)

2 crosspieces: 8A (24V) - 4A (48V)

4 crosspieces: 16A (24V) - 8A (48V)

FOR RENOVATION AND COMPLIANCE WORKS

The **PYROMAX® ÉLECTRIQUE CAPPING UPSTAND** is designed to fit any type of upstand, whether for compliance reasons or to change the unit's purpose **while retaining the existing upstand**.



Types of filling

ORIGIN' RANGE:

- PCA 16
- PCA 16+ Lumira*
- PCA 32
- PCA 32+ Lumira*
- Acoustik'Light



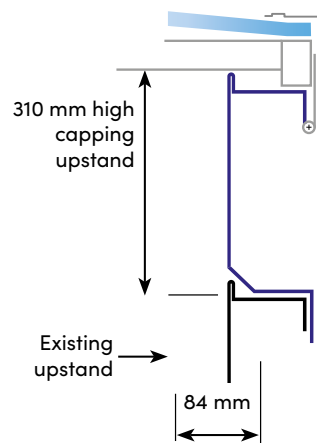
Upstand

- Insulated upstand with galvanised steel protection plate, 84 mm heel and 40 mm overlap
- 1.2 mm galvanised steel
- Height 310 mm

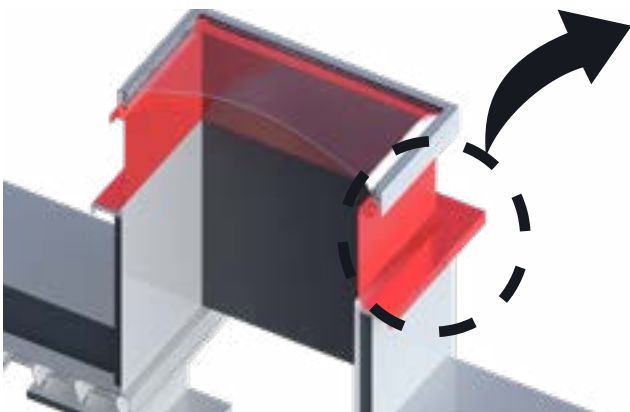


Control

- Electric opening/closing



Installation diagram



Options

Standard options list p.1

Upstand

- Heel width on request for fitting to existing substrate
- Upstand height on request

Dimensions

Roof opening dimensions A x B (cm)	Overall heel dimensions C x D (cm)	Height to gutter h* (cm)	Height H* (cm)	Light surface (m ²)	Product weight (kg)		Av (m ²)	Aa (m ²)		
					AD	AD+		SD	AD	AD+
120 x 200	137 x 217	23	37	2.4	126	149	2.40	1.32	1.56	1.66
120 x 250	137 x 267			3	137	162	3.00	1.62	1.99	2.11
120 x 300	137 x 317			3.6	149	178	3.60	1.94	2.41	2.56
140 x 200	157 x 217			2.8	134	158	2.80	1.44	1.86	1.97
140 x 250	157 x 267			3.5	150	177	3.50	1.73	2.32	2.50
140 x 300	157 x 317			4.2	159	190	4.20	2.06	2.75	3.01
150 x 200	167 x 217			3	140	164	3.00	1.46	1.99	2.11
150 x 250	167 x 267			3.75	153	181	3.75	1.75	2.45	2.68
150 x 300	167 x 317			4.5	165	197	4.50	2.03	2.91	3.23
160 x 200	177 x 217			3.2	146	171	3.20	1.56	2.14	2.28
160 x 250	177 x 267			4	157	186	4.00	1.83	2.61	2.87
160 x 300	177 x 317			4.8	173	205	4.80	2.17	3.10	3.47
180 x 200	197 x 217			3.6	152	179	3.60	1.68	2.39	2.58
180 x 250	197 x 267			4.5	158	189	4.50	1.97	2.97	3.25
180 x 300	197 x 317			5.4	177	210	5.40	2.29	3.44	3.92
200 x 200	217 x 217			4	144	172	4.00	1.80	2.64	2.88
200 x 250	217 x 267			5	158	190	5.00	2.10	3.33	3.62
200 x 300	217 x 317			6	166	201	6.00	2.40	3.78	4.38
220 x 300	237 x 317			6.6	174	210	6.60	2.40	4.16	4.36

Contact us for other dimensions.
* For an upstand height of 310 mm
Airflow values for a height of 410mm



SKYDÔME

Entre Deux Villes
02270 Sons-Et-Ronchères, France
Tel: +33 (0)3 23 21 79 90
Email: info@skydome.eu
www.skydome.eu

For the product range in other countries, please contact your local representative or visit www.skydome.eu.

SKYDÔME reserves the right to modify product specifications without notice. The information and technical details contained in this documentation are provided in good faith and apply to the uses described. The recommendations for use must be checked to ensure they are appropriate and comply with the actual requirements, the specifications and all applicable legislation and regulations.

For other applications and conditions of use, please contact our technical team. Their advice must be sought concerning uses of our products that are not described specifically herein.

Click this link to check that you are seeing the most up-to-date and accurate information about our products:
https://www.skydome.eu/fr/produit/108_pyromax-electrique.html