

For **WATERPROOFED ROOFS OR EXISTING UPSTANDS**

PYROPASS®

NF CE
EN 12101-2

Évolution Pneumatique/Électrique/Treuil

VERSION



Types of filling

RPT RANGE :

- PCA 16
- PCA 16+ Lumira*
- PCA 32
- Double vitrage
- Aluminium cover



Upstand

- Straight upstand, lacquered white
- Galvanised steel 12/10°
- Ladder attachment bar, lacquered grey
- Opening system fitted with R6 1200 joules lacquered in RAL 9010
- Height 400 mm with a 50 mm bituminous insulating coating



Control

- Pneumatic, electric and treuil opening / closing
- Built-in and offset mechanism

The PYROPASS® is an NSHEV intended primarily for smoke and heat exhaust as well as roof access from stairwells. It is suitable for use on waterproofed flat roofs on all types of buildings (including public facilities, work premises and industrial buildings). This product is specially designed for stairwells. The RPT version is a 100% thermally broken skylight, with frames made of aluminium sections with double polyamide thermal breaks and insulating air louvres.



OPTIONS



Types of filling

- Opal PCA 16 IR
- Black and white opaque PCA 16
- Transparent PCA 16
- Insulated aluminium cover



Control

- Limit switch



Upstand

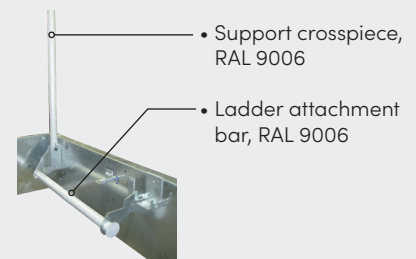
- Upstand height: 400 mm or more
- Lacquered interior and exterior (standard RAL colours)
- Colaminated sheet steel top for PVC waterproofing
- Galvanised sheet steel top for PVC waterproofing
- Bare insulation for PVC waterproofing

Capping upstand

See page 7 for details.



Other information



Dimensions & aeraulic performance

Roof opening dimensions A x B (cm)	Overall heel dimensions C x D (cm)	Height H* (cm)	Light surface (m ²)	E (cm)	Product weight (kg)	Av (m ²)
100 x 100	120 x 120	48	1.00	165	68	1.00

Contact us for other dimensions. * For an upstand height of 360 mm

Filling performance

Other filling and filling options: see "Filling" data sheet.

Type of glazing	Coefficient de transmission thermique Ug (W/m ² .K)	TL D65 ⁽²⁾	FS ou g ⁽²⁾	Fire reaction	$R_w = R_w + C$ $R_{A,fr} = R_w + C_{fr}$ (dB) ⁽³⁾	
	U _{hor} ⁽¹⁾					
PCA	Opal multi-wall PCA 16	1.9	45%	46%	B-s1-d0	R _w =21 dB
	Transparent PCA 16 with Lumira™ aerogel	1.5	67%	67%	B-s1-d0	R _w =21 dB
	Opal multi-wall PCA 20	1.6	54 %	47%	B-s2-d0	R _w =21 dB
Capot	30 mm aluminium cover	0.85	0%	ND	ND	ND
Double glazing	Low-emissivity thermal double glazing Planitherm XN 6 mm/ Argon 16mm / Stadip 44.2	1.7	80	59	ND	ND
	Solar control double glazing 1 Cool-Lite SKN 154 II 6 mm/ Argon 16mm / Stadip 44.2	1.7	51	28	ND	ND
	Acoustic double glazing with solar control 1 Cool-Lite SKN 154 II 6 mm/ Argon 16mm / Stadip Silence 44.2	1.7	51	28	ND	ND

(1) According to §2.31 of the TI-Bat rules.

(2) Light transmission factor TL D65 and total solar transmission factor FS (TST or g) according to EN 410.

(3) Insulation of the filling against airborne noise R_w, pink noise R_A (neighbourhood, airport and industrial activities) and road noise R_A, Tr measured in a laboratory in accordance with NF EN ISO 140.

Mechanisms

Evolution Pneumatique RPT

Dimensions	Cylinder volume	Supply pressure
Diam 50 pneumatic cylinder stroke 400mm	13,5 nL	17 bars

Evolution Electrique RPT

Dimensions	Volt	Maximum power
Vérin électrique 24 Vcc K+G - course 550mm	2,6 Amperes	62,4 Watts

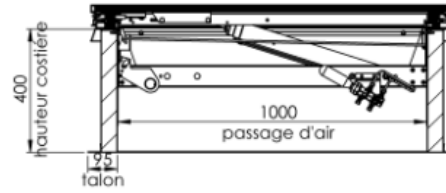
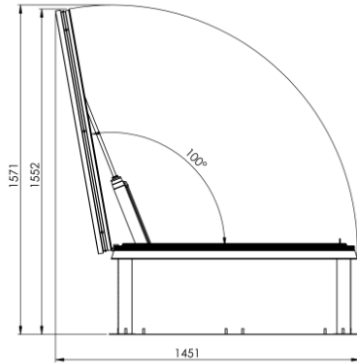
Evolution Treuil RPT

Cable stroke	rearming force
1,6 mètres	inférieur 95daN

Technical diagrams

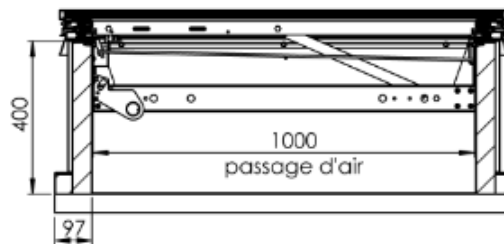
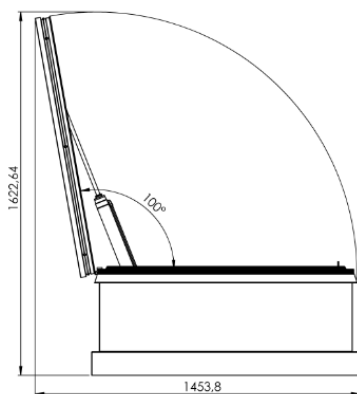
RPT range

PYROPASS® PCA Version PCA 16-32-Capot

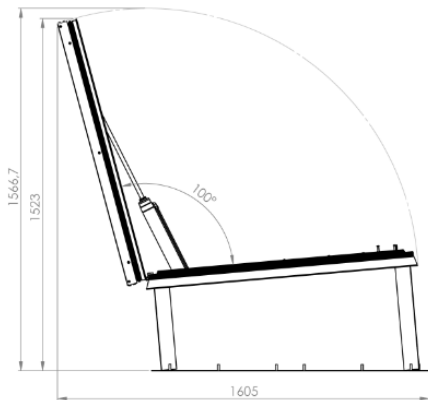


RPT range

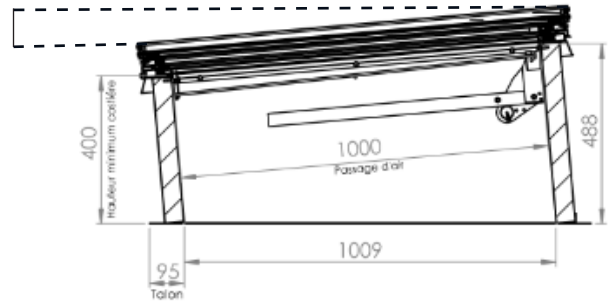
PYROPASS® PCA UPSTAND



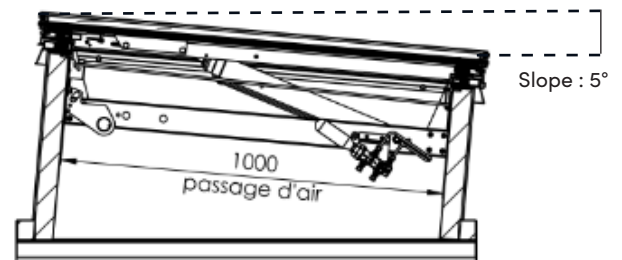
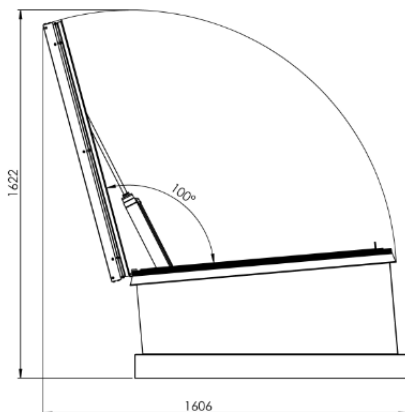
Gamme RPT
PYROPASS® WINDOW*



Slope : 5°



Gamme RPT
PYROPASS® WINDOW UPSTAND*



Slope : 5°

* Visual with winch actuator (identical dimensions, opening and crossbar)

PERFORMANCE

Exhaust ventilator opening: type B (open + close)

Reliability: Re 300

Low ambient temperature: T(0°C)

Resistance to heat: B₃₀₀

Resistance to wind load: WL1500

Opening under load: SL250 or SL500 depending on filling

Thermo-fuse set temperature: 93°C (eutectic fuse mounted in series)

COMPLIANCE & INSTALLATION

DENFC CE compliant with standard **NF EN 12101-2 (product certification N°0333 CPR 219016)**.

Fixing and waterproofing must comply with the specifications defined in the DTU series 40 and 43 in force.

Maximum insulation height: the height of the waterproofing upstand to be respected according to the DTU is 150 mm minimum.

Maximum authorised slope: 15° (see installation instructions). Only the bar option guarantees 1200 joules protection.

DoP available at www.skydome.eu

Also available in WL 3000 version (hurricane-resistant)

Air permeability and light surface*

Hopper dimensions A x B (cm)	Air flow (m ³ /h) - Classe AP06 ⁽¹⁾	
	Sous 4 Pa	Sous 50 Pa
100 x 100	0,03	0,24

(1) Air permeability tests carried out at the BBRI in accordance with NF EN 1873 protocols (with reference to NF EN 12152 and NF EN 12153 standards).

(2)SLE calculated with white lacquered upstand and PCA 16.

*For all maximum possible performances, please contact us.

Acoustic performance

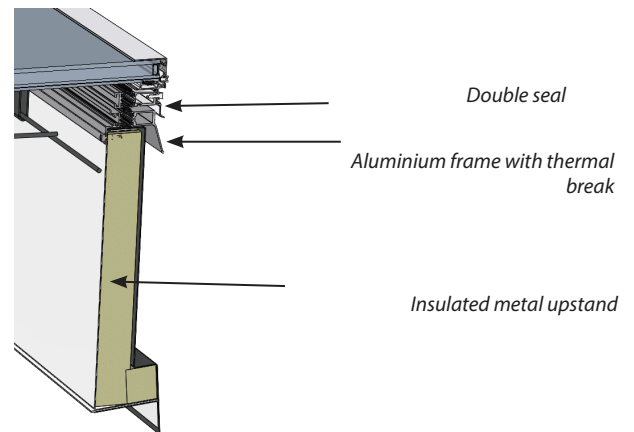
	PCA 16	PCA 16+	PCA 32	PCA 32 & dome	Opaque 40 mm aluminium cover	Double* glazing
Acoustic attenuation R _w (C;Ctr)	17 (-2;2)	19 (0;-1)	20 (-2;-1)	25(-1; -3)	23 (-1;-3)	31 (-1;-2)
Rain-generated sound intensity Lia (dB)	77	74	75	63	63	53

* Double glazing 44.2 S (16 Arg) 6

Urc: 1.7 W/m².K

ENHANCED THERMAL INSULATION:

- ✓ **Wide range of filling options** with different thermal insulation, light transmittance and solar factor performance
- ✓ **Compliant with applicable DTU specifications**
- ✓ **U_{RC} = 1.4 W/m².K***

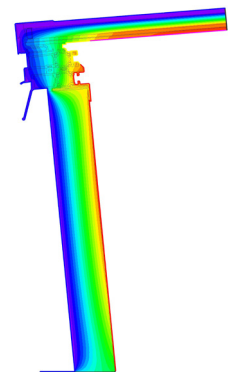


Thermal performance: U_{RC} (W/m².K) and A_{RC} (m²)

PYROPASS®

Dimensions (cm)	Upstand height: 400 mm					
	straight upstand				Upstand 5°	A _{RC}
	PCA 16	PCA 16+	PCA 32**	Capot alu 30 opaque	Double vitrage	
100 x 100	1,7	1,6	1,5	1,4	1,4	3,1

* Pour un appareil 160 x 160 cm, hauteur costière 360 mm, remplissage PCA 32+
 ** L'ajout d'un dôme n'a pas d'incidence sur la conductivité thermique de l'appareil Urc.



FOR RENOVATION AND COMPLIANCE WORKS

The **PYROPASS® CAPPING UPSTAND** is designed to fit any type of upstand, whether for compliance reasons or to change the unit's purpose **while retaining the existing upstand**.



Types of filling

RPT RANGE:

- PCA 16
- PCA 16+ Lumira*
- PCA 32
- Double vitrage



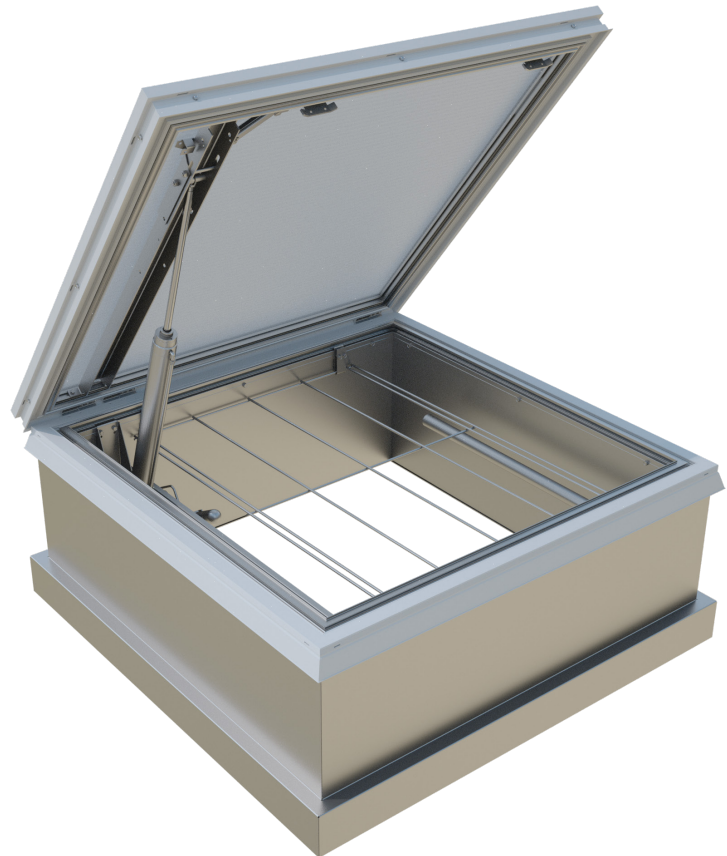
Costière

- Insulated upstand with galvanised steel protection plate, 84 mm heel and 40 mm overlap
- 1.2 mm galvanised steel
- Height 200 mm

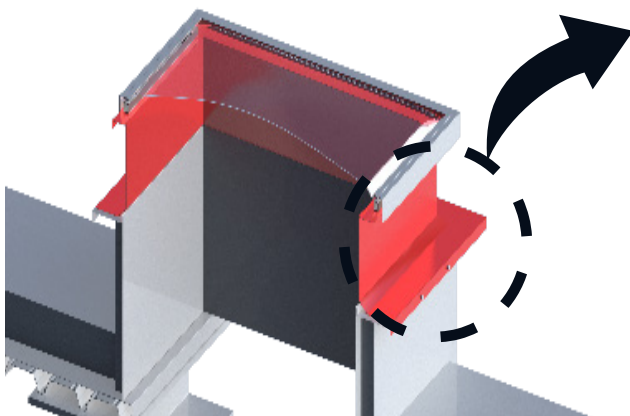


Commande

- Pneumatic opening and closing system



Installation diagram



Options

Standard options list p.1

Upstand

- Heel width on request for fitting to existing substrate
- Upstand height on request

Dimensions & aeraulic performance

Roof opening dimensions A x B (cm)	Roof opening dimensions C x D (cm)	Height H* (cm)	Light surface (m ²)	E (cm)	Product weight (kg)	Av (m ²)
100 x 100	120 x 120	53	1.00	165	98	1.08

Contact us for other dimensions.
* For an upstand height of 170 mm

Thermal performance: U_{RC} (W/m².K) and A_{RC} (m²)

RÉHAUSSE COIFFANTE PYROPASS®						
Dimensions (cm)	Upstand height: 400 mm					
	straight upstand				Upstand 5°	A_{RC}
	PCA 16	PCA 16+	PCA 32**	Capot alu 30 opaque	Double vitrage	
100 x 100	2	1,8	1,7	1,6	1,8	3,1

** L'ajout d'un dôme n'a pas d'incidence sur la conductivité thermique de l'appareil Urc.



SKYDÔME

Entre Deux Villes
02270 Sons-et-Ronchères
T : 03 23 21 79 90
M : info@skydome.eu
www.skydome.eu

For the product range in other countries, please contact your local representative or visit www.skydome.eu.

SKYDÔME reserves the right to modify product specifications without notice. The information and technical details contained in this documentation are provided in good faith and apply to the uses described. The recommendations for use must be checked to ensure they are appropriate and comply with the actual requirements, the specifications and all applicable legislation and regulations.

For other applications and conditions of use, please contact our technical team. Their advice must be sought concerning uses of our products that are not described specifically herein.

Click this link to check that you are seeing the most up-to-date and accurate information about our products: