

For **WATERPROOFED ROOFS OR EXISTING UPSTANDS**

PYROPASS®



NF 537
Actuated safety devices (DAS)
Control devices (DC)



EN 12101-2
EN 1873 + A1: 2016



THERMIK'

VERSION



Types of filling

THERMIK' RANGE:

- PCA 16
- PCA 16+ Lumira*
- PCA 32
- PCA 32+ Lumira*
- PMMA triple dome
- Acoustik' Light



Upstand

- Straight upstand, lacquered white
- 1.2 mm galvanised steel, lacquered grey
- Ladder attachment bar, lacquered grey
- Opening system fitted with 16x16 mm 1200 joule security bars, lacquered in RAL 9010
- Height 360 mm with a 30 mm bituminous insulating coating



Control

- Winch-operated opening/closing
- Built-in and offset mechanism

The PYROPASS® is an NSHEV intended primarily for smoke and heat exhaust as well as roof access from stairwells. It is suitable for use on waterproofed flat roofs on all types of buildings (including public facilities, work premises and industrial buildings). This product is specially designed for stairwells.



Also available:



OPTIONS



Types of filling

- Opal PCA 16 IR
- Grey PCA 16
- Transparent PCA 16
- Insulated aluminium cover
- Solid PC triple dome



Control

- Limit switch



Upstand

- Upstand height: 410 mm or more
- Lacquered interior and exterior (standard RAL colours)
- Colaminated sheet steel top for PVC waterproofing
- Galvanised sheet steel top for PVC waterproofing
- Bare insulation for PVC waterproofing

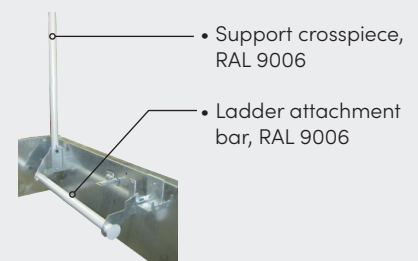
Capping upstand

See page 8 for details.

Available versions



Other information



Dimensions & aeraulic performance

Roof opening dimensions A x B (cm)	Overall heel dimensions C x D (cm)	Height H* (cm)	Light surface (m ²)	E (cm)	Product weight (kg)	Av (m ²)	Aa (m ²)	
							SD	AD
100 x 100	118 x 118	42	1.00	165	62	1.00	0.55	0.68
120 x 120	138 x 138	42	1.44	186	80	1.44	0.78	0.96

Contact us for other dimensions. * For an upstand height of 360 mm

Filling performance

Other filling and filling options: see "Filling" data sheet.

Type of filling	Thermal transmittance factor Ug (W/ m ² .K)	LT D65 ⁽²⁾	SF or g ⁽²⁾	Reaction to fire	R _w (dB) ⁽³⁾	
	U _{hor} ⁽¹⁾					
PCA	Opal multi-wall PCA 16	1.9	45%	46%	B-s1-d0	R _w =21 dB
	Transparent PCA 16 with Lumira™ aerogel	1.5	67%	67%	B-s1-d0	R _w =21 dB
	Opal multi-wall PCA 20	1.6	54 %	47%	B-s2-d0	R _w =21 dB
	Transparent multi-wall PCA 32	1.3	33%	49%	B-s2-d0	ND
	Transparent PCA 32 with 50% Lumira™ aerogel	0.97	43%	45%	ND	ND
Cover	40 mm aluminium cover	0.85	0%	ND	ND	ND
Dome	Opal solid PC triple dome Opal upper dome + transp. int. dome + transparent lower dome	2.76	ND	ND	B-s1-d0	ND
Acoustik' Light	Acoustik' Light Transparent PCA 10 & transparent PCA 6	2.1	ND	ND	ND	ND

⁽¹⁾As per §2.31 of the Th-Bat regulations.

⁽²⁾Light transmittance LT D65 and total solar transmittance SF (TST or g) as per EN 410.

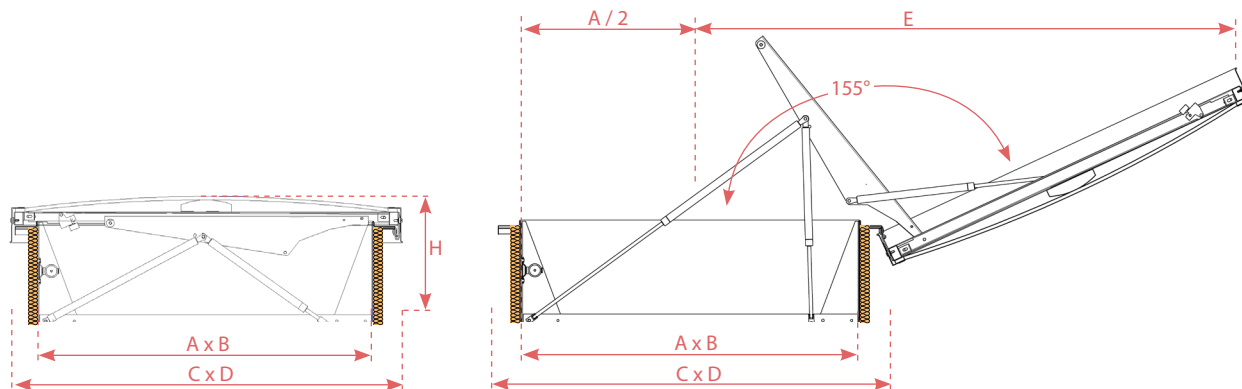
⁽³⁾Filling insulated against airborne noise R_w, pink noise R_p (environment, airport and industrial activities) and road noise R_{w,sp} laboratory-measured according to NF EN ISO 140.

Control system

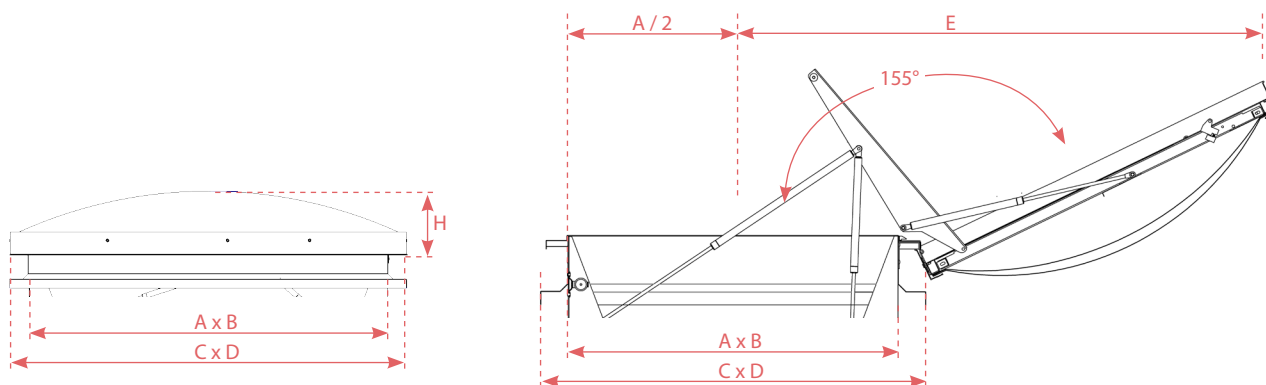
We supply versatile installation kits for controlling the **PYROPASS®** and the **PYROPASS® CAPPING UPSTAND**. These easy-to-use kits combine a core kit with a range of (mechanical, pneumatic or electrical) satellite kits. See the Installation Kits datasheet for a full list of our kits.

Technical diagrams

THERMIK' range PYROPASS PCA



THERMIK' range PYROPASS triple dome



PERFORMANCE

Exhaust ventilator opening: type B (open + close)

Reliability: Re 300

Low ambient temperature: T(0°C)

Resistance to heat: B₃₀₀

Resistance to wind load: WL1500

Opening under load: SL250 or SL500 depending on filling

Thermo-fuse set temperature: 93°C (eutectic fuse mounted in series)

COMPLIANCE & INSTALLATION

CE certified NSHEV compliant with **NF EN 12101-2. (Product certification No. 0333 CPR 219016).**

The product must be fastened and sealed in accordance with the requirements defined in the applicable DTU specifications (series 40 and 43).

Maximum insulation height: as per the DTUs, the sealing flashing must extend to a height of at least 150 mm.

The waterproofing complex (substrate, vapour barrier, insulation and two-layer sealant) must be no thicker than 190 mm for an interior upstand height of 360 mm, or 240 mm for an interior upstand height of 410 mm.

Maximum permissible slope: 25° or 46% (see installation instructions).

Only the security bar option provides guaranteed 1200 joule protection.

DoP available at www.skydome.eu

Also available in Storm grade WL 3000 for dimensions < 140 x 140 cm. Contact us for details.

Trade name

Trade name	Filling	Upstand insulation
PYROPASS	THERMIK' 16	16 mm PCA(Opal PCA)
	THERMIK' 16+	16 mm PCA with LUMIRA (Transparent PCA)
	THERMIK' 20	20 mm PCA (Opal PCA)
	THERMIK' 20+	20+ mm PCA with LUMIRA (Transparent PCA)
	THERMIK' 32	32 mm PCA (Transparent PCA)
	THERMIK' 32+	16 mm PCA + 16 mm PCA with LUMIRA (Transparent PCA)
	THERMIK' 3xD	Triple dome (Opal upper dome + transparent int dome + transparent lower dome)
	THERMIK' 40 OPAQUE	40 mm aluminium cover
	THERMIK' ACOUSTIK' LIGHT	10 mm PCA + 6 mm solid PC

Upstand height: 360 mm
Insulation:

- on vertical part of upstand
- on upstand lip

Air permeability and light surface*

Roof opening dimensions A x B (cm)	Air flow (m³/h) - Class AP06 ⁽¹⁾		ELS ⁽²⁾ (m²)	
	Less than 4 Pa	Less than 50 Pa	Height 360 mm	Height 410 mm
100 x 100	0.14	0.92	0.36	0.35
120 x 120	0.17	1.07	0.54	0.52

⁽¹⁾ Air permeability tests carried out at the CSTC test centre as per NF EN 1873 protocols (with reference to the standards NF EN 12152 and NF EN 12153).

⁽²⁾ Effective light surface calculated with white lacquered upstand and PCA 16 filling.

* Contact us for details of all maximum possible performance options.

Acoustic performance

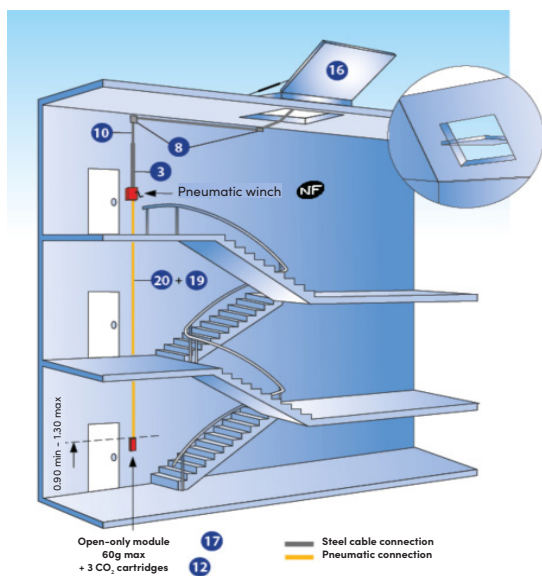
	PCA 16	PCA 16+	PCA 20	PCA 32	PCA 32 & dome	PCA 32+	PCA 32+ & dome	Opaque 40 mm aluminium cover	Triple dome	Acoustik' Light
Acoustic attenuation R _w (C;Ctr)	17 (-2;2)	19 (0;-1)	ND	20 (-2;-1)	25(-1; -3)	21 (0;0)	26(-1; -3)	23 (-1;-3)	20(0; -2)	25(-1; -1)
Rain-generated sound intensity Lia (dB)	77	74	ND	75	63	72	61	63	63	66

Maximum permissible snow loads SL (Pa)

Roof opening (cm)	Opening pressure							
	PCA 16 / PCA 16+		PCA 32 / PCA 32+ / 40 mm cover		PCA 32 & dome		PCA 32+ & dome / Triple dome / Acoustik' Light	
	SL 250	SL 500	SL 250	SL 500	SL 250	SL 500	SL 250	SL 500
100 x 100								
120 x 120								

Centred or offset crosspiece (as required)

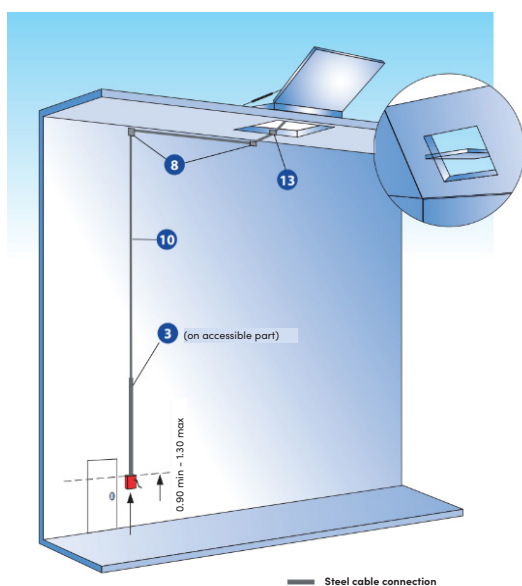
XKT 102D kit



Kit contents

- 1 pneumatically actuated winch (NF certified)
- 15 m cable
- 1 cable clamp
- 2 pulleys in protective casing
- 1 offset pulley
- 2.5 m cable protection sheath
- Bag of fasteners
- 1 open-only 30 gram CO₂ module
- 25 m copper piping
- 25 copper pipe clamps
- 3 x 27 g CO₂ cartridges

XKT 101D kit



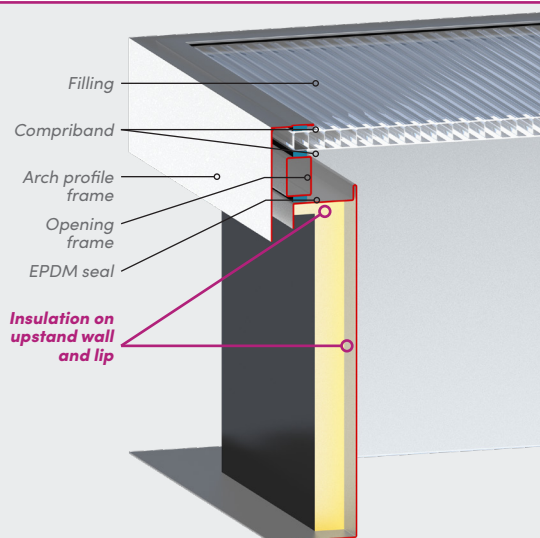
Kit contents

- 1 mechanical winch (NF certified)
- 15 m cable
- 1 cable clamp
- 2 pulleys in protective casing
- 1 offset pulley
- 2.5 m cable protection sheath
- Bag of fasteners

U_{rc}: 1.6 W/m².K

ENHANCED THERMAL INSULATION:

- ✓ **Wide range of filling options** with different thermal insulation, light transmittance and solar factor performance
- ✓ **Compliant with applicable DTU specifications**
- ✓ **U_{rc} = 1.6 W/m².K***



Thermal performance: U_{RC} (W/m².K) and A_{RC} (m²)

PYROPASS®																		
Dimensions (cm)	Upstand height: 360 mm									Upstand height: 410 mm								
	U _{RC}								A _{RC}	U _{RC}								A _{RC}
	Acoustik' Light	PCA 16	PCA 16+	PCA 20	PCA 32**	PCA 32+ **	Opaque 40 mm aluminium cover	Triple dome		Acoustik' Light	PCA 16	PCA 16+	PCA 20	PCA 32**	PCA 32+ **	Opaque 40 mm aluminium cover	Triple dome	
100 x 100	2.3	2.1	2	1.9	1.8	1.7	1.5	2.8	3.1	2.1	2.1	1.9	1.9	1.8	1.6	1.5	2.7	3.3
120 x 120	2.3	2.1	2	1.9	1.8	1.6	1.5	2.8	3.8	2.1	2	1.9	1.9	1.8	1.5	1.5	2.7	4.1

* For a 120 x 120 cm unit with a 360 mm high upstand and PCA 32+ filling
 ** Adding a dome has no effect on the unit's thermal conductivity U_{rc}.

FOR RENOVATION AND COMPLIANCE WORKS

The **PYROPASS® CAPPING UPSTAND** is designed to fit any type of upstand, whether for compliance reasons or to change the unit's purpose **while retaining the existing upstand**.



Types of filling

THERMIK' RANGE:

- PCA 16
- PCA 16+ Lumira*
- PCA 32
- PCA 32+ Lumira*
- PMMA triple dome
- Acoustik' Light



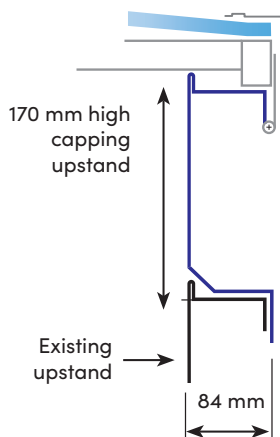
Upstand

- Insulated upstand with galvanised steel protection plate, 84 mm heel and 40 mm overlap
- 1.2 mm galvanised steel
- Height 170 mm

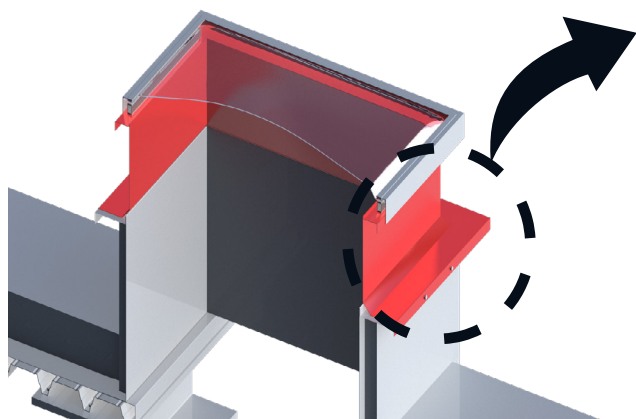


Control

- Gas spring opening and handle-operated manual closing



Installation diagram



Options

Standard options list p.1

Upstand

- Heel width on request for fitting to existing substrate
- Upstand height on request

Dimensions & aeraulic performance

Roof opening dimensions A x B (cm)	Roof opening dimensions C x D (cm)	Height H* (cm)	Light surface (m ²)	E (cm)	Product weight (kg)	Av (m ²)	Aa (m ²)	
							SD	AD
100 x 100	117 x 117	23	1.00	165	51	1.08	0.57	0.68
120 x 120	137 x 137	23	1.44	186	61	1.54	0.77	0.97

Contact us for other dimensions.
* For an upstand height of 170 mm

Thermal performance: U_{RC} (W/m².K) and A_{RC} (m²)

PYROPASS® capping upstand									
Dimensions (cm)	Upstand height: 170 mm								
	U_{RC}								A_{RC}
	Acoustik' Light	PCA 16	PCA 16+	PCA 20	PCA 32**	PCA 32+ **	Opaque 40 mm aluminium cover	Triple dome	
100 x 100	3.2	3	2.8	2.7	2.4	2.3	2.3	3.7	2.3
120 x 120	3.1	2.9	2.7	2.6	2.3	2.3	2.1	3.6	2.9

* For a 160 x 160 cm unit with a 360 mm high upstand and PCA 32+ filling
** Adding a dome has no effect on the unit's thermal conductivity U_{RC} .



SKYDÔME

Entre Deux Villes
02270 Sons-Et-Ronchères, France
Tel: +33 (0)3 23 21 79 90
Email: info@skydome.eu
www.skydome.eu

For the product range in other countries, please contact your local representative or visit www.skydome.eu.

SKYDÔME reserves the right to modify product specifications without notice. The information and technical details contained in this documentation are provided in good faith and apply to the uses described. The recommendations for use must be checked to ensure they are appropriate and comply with the actual requirements, the specifications and all applicable legislation and regulations.

For other applications and conditions of use, please contact our technical team. Their advice must be sought concerning uses of our products that are not described specifically herein.

Click this link to check that you are seeing the most up-to-date and accurate information about our products:
https://www.skydome.eu/fr/produit/18_pyropass.html

PYROPASS®

CE
EN 12101-2

ORIGIN' VERSION



Filling

ORIGIN' RANGE:

- Opal PCA 10



Upstand

- Straight upstand, lacquered white
- 1.2 mm galvanised steel, lacquered in RAL 9010
- Support crosspiece, lacquered grey
- Ladder attachment bar, lacquered grey
- Opening system fitted with 16x16 mm 1200 joule security bars, lacquered in RAL 9010

ORIGIN' RANGE:

- Height 310 mm with a 15 mm bituminous insulating coating



Control

- Manual opening/closing
- Built-in and offset mechanism

The PYROPASS® is an NSHEV intended primarily for smoke and heat exhaust as well as roof access from stairwells. It is suitable for use on waterproofed flat roofs on all types of buildings (including public facilities, work premises and industrial buildings). This product is specially designed for stairwells.



Also available:



OPTIONS



Types of filling

- Opal PCA 10 IR
- Grey PCA 10
- Transparent PCA 10
- Insulated aluminium cover



Upstand

- Upstand height: 360 mm, 410 mm or more
- Lacquered interior (standard RAL colours)
- Colaminated sheet steel top for PVC waterproofing
- Galvanised sheet steel top for PVC waterproofing
- Bare insulation for PVC waterproofing



Other information

THERMIK'

- Support crosspiece, RAL 9006
- Ladder attachment bar, RAL 9006



Control

- Limit switch

Capping upstand

See page 5 for details.

Dimensions & aeraulic performance

Roof opening dimensions A x B (cm)	Roof opening dimensions C x D (cm)	Height H* (cm)		Light surface (m ²)	E (cm)	Product weight (kg)		Av (m ²)	Aa (m ²)
		PCA	DD			PCA	DD		
100 x 100	118 x 118	37	56	1.00	165	62	71	1.00	0.55
120 x 120	138 x 138	37	59	1.44	186	80	86	1.44	0.78

Contact us for other dimensions.
* For an upstand height of 310 mm

Maximum permissible snow loads SL (Pa)

Roof opening (cm)	PCA		Double dome		Aluminium cover	
	SL250	SL500	SL250	SL500	SL250	SL500
100 x 100	✓	✓	✓	✓	✓	✓
120 x 120	✓	✓	✓		✓	

Filling performance

Other filling and filling options: see "Filling" data sheet.

	Type of filling	Thermal transmittance factor Ug (W/ m ² .K)	LT D65 ⁽²⁾	SF or g ⁽²⁾	Reaction to fire	R _w (dB) ⁽³⁾
		U _{hor} ⁽¹⁾				
PCA	Opal 4-wall PCA 10	2.9	61%	61%	B-s1-d0	R _w =19 dB
Cover	40 mm aluminium cover	0.85	0%	ND	ND	ND
Dome	Opal PMMA double dome Opal upper dome + transparent lower dome	2.89	84%	ND	ND	ND

⁽¹⁾Relative to the horizontal, as per §2.31 of the Th-Bat regulations.

⁽²⁾Light transmittance LT D65 and solar transmittance SF (TST or g) as per EN 410.

⁽³⁾Filling insulated against airborne noise R_v, pink noise R_A (environment, airport and industrial activities) and road noise R_{Air}, laboratory-measured according to NF EN ISO 140.

Control system

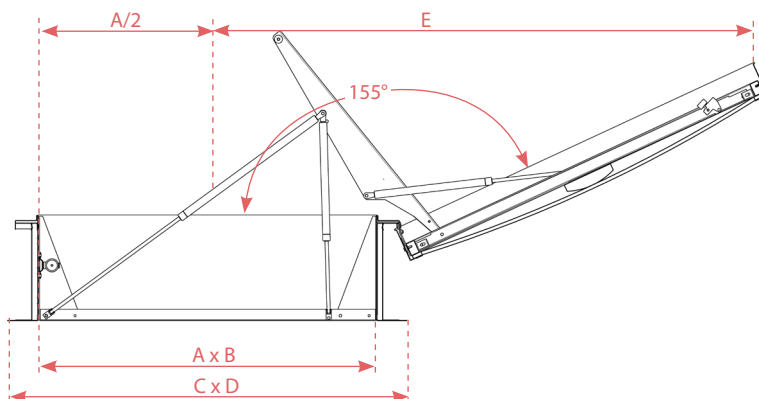
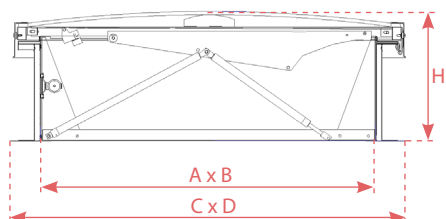
We supply versatile installation kits for controlling the PYROPASS® and the PYROPASS® CAPPING UPSTAND. These easy-to-use kits combine a core kit with a range of (mechanical, pneumatic or electrical) satellite kits.

See the *Installation Kits* datasheet for a full list of our kits.

Technical diagrams

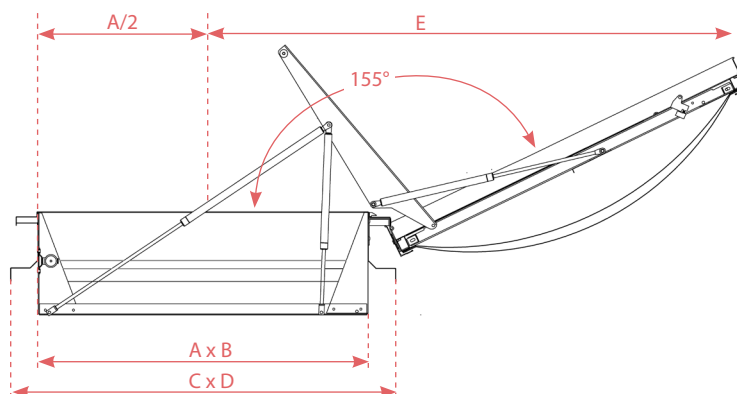
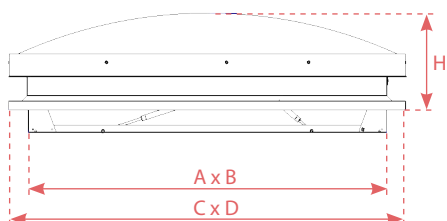
ORIGIN' range

PYROPASS PCA



ORIGIN' range capping upstand

PYROPASS double dome



PERFORMANCE

Exhaust ventilator opening: type B (open + close)

Reliability: Re 300

Low ambient temperature: T(0°C)

Resistance to heat: B₃₀₀

Thermo-fuse set temperature: 93°C (eutectic fuse mounted in series)

Resistance to wind load: WL1500

Opening under load: SL 250 or SL 500 depending on filling

Also available in WL 3000 for dimensions < 100 x 100 cm.
Contact us for details.

COMPLIANCE & INSTALLATION

CE certified NSHEV compliant with **NF EN 12101-2. (Product certification No. 0333 CPR 219016).**

The product must be fastened and sealed in accordance with the requirements defined in the applicable DTU specifications (series 40 and 43).

Maximum insulation height: as per the DTUs, the sealing flashing must extend to a height of at least 150 mm.

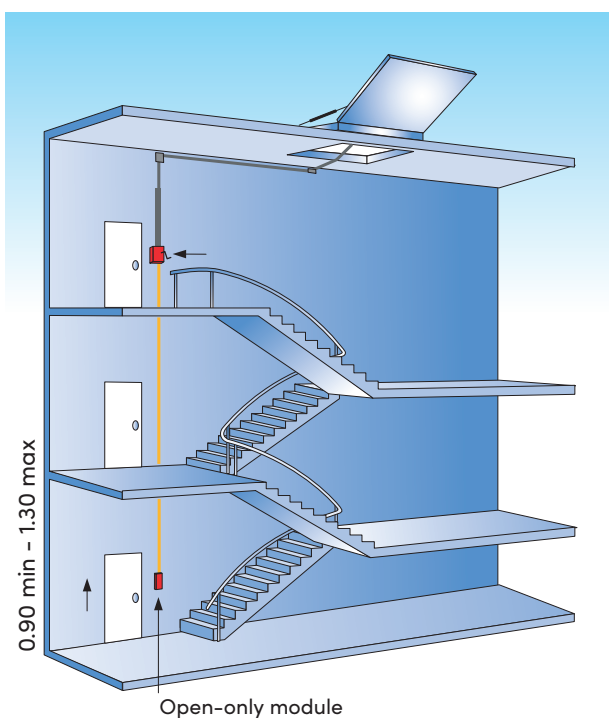
The waterproofing complex (substrate, vapour barrier, insulation and two-layer sealant) must be no thicker than 140 mm for an interior upstand height of 310 mm, or 240 mm for an interior upstand height of 410 mm.

Maximum permissible slope: 25° or 46% (see installation instructions).

Only the security bar option provides guaranteed 1200 joule protection.

DoP available at www.skydome.eu

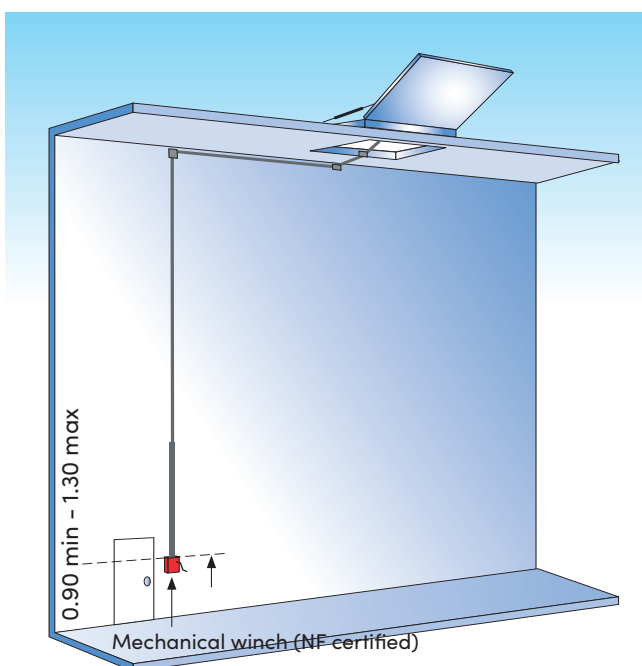
XKT 102D kit



Kit contents

- 1 pneumatically actuated winch (NF certified)
- 15 m cable
- 1 cable clamp
- 2 pulleys in protective casing
- 1 offset pulley
- 2.5 m cable protection sheath
- Bag of fasteners
- 1 open-only 30 gram CO2 module
- 25 m copper piping
- 25 copper pipe clamps
- 25 copper pipe clamps
- 3 x 27 g CO2 cartridges

XKT 101D kit



Kit contents

- 1 mechanical winch (NF certified)
- 15 m cable
- 1 cable clamp
- 2 pulleys in protective casing
- 1 offset pulley
- 2.5 m cable protection sheath
- Bag of fasteners

FOR RENOVATION AND COMPLIANCE WORKS

The **PYROPASS® CAPPING UPSTAND** is designed to fit any type of upstand, whether for compliance reasons or to change the unit's purpose **while retaining the existing** upstand.



Filling

- Opal PCA 10



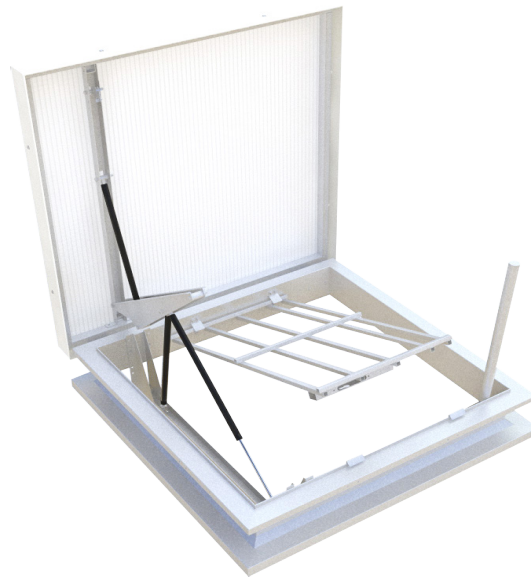
Upstand

- Bevelled adapter upstand with 84 mm heel and 40 mm overlap
- 1.2 mm galvanised steel
- Height 170 mm

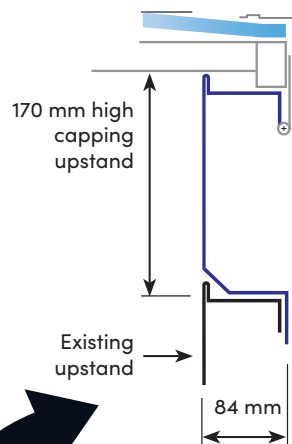
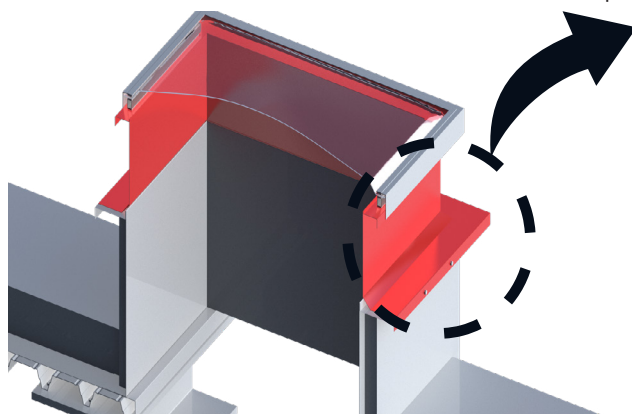


Control

- Gas spring opening and handle-operated manual closing



Installation diagram



Options

Standard options list p.1

Upstand

- Upstand insulation including a galvanised steel protection plate
- Heel width on request for fitting to existing substrate
- Upstand height on request

Dimensions & aeraulic performance

Roof opening dimensions A x B (cm)	Overall heel dimensions C x D (cm)	Height H* (cm)		Light surface (m ²)	E (cm)	Product weight (kg)		Av (m ²)	Aa (m ²)
		PCA	DD			PCA	DD		
100 x 100	117 x 117	23	42	1.00	165	55	61	1.30	0.57
120 x 120	137 x 137	23	45	1.44	186	67	73	1.80	0.63

Contact us for other dimensions.
* For an upstand height of 170 mm





SKYDÔME

Entre Deux Villes
02270 Sons-Et-Ronchères, France
Tel: +33 (0)3 23 21 79 90
Email: info@skydome.eu
www.skydome.eu

For the product range in other countries, please contact your local representative or visit www.skydome.eu.

SKYDÔME reserves the right to modify product specifications without notice. The information and technical details contained in this documentation are provided in good faith and apply to the uses described. The recommendations for use must be checked to ensure they are appropriate and comply with the actual requirements, the specifications and all applicable legislation and regulations.

For other applications and conditions of use, please contact our technical team. Their advice must be sought concerning uses of our products that are not described specifically herein.

Click this link to check that you are seeing the most up-to-date and accurate information about our products:
https://www.skydome.eu/fr/produit/18_pyropass.html