

For **DRY ROOFS OR SANDWICH PANEL ROOFS**

PYROTOP®

NF
NF 537
Dispositifs Actionnés de Sécurité (DAS)
Dispositifs de commande (DC)

CE
EN 12101-2
EN 1873 + A1 : 2016



VERSION



Types of filling

THERMIK' RANGE:

- PCA 16
- PCA 16+ Lumira*
- PCA 32
- PCA 32+ Lumira*



Upstand

- Straight upstand
- 1.2 mm galvanised steel
- Height 360 mm with a 30 mm bituminous insulating coating



Control

- Manual opening/closing
- Centrally located cable

The PYROTOP® is an NSHEV intended primarily for smoke and heat exhaust as well as access from stairwells.



Also available:



OPTIONS



Types of filling

- Opal PCA 16 IR
- Grey PCA 16
- Transparent PCA 16
- Insulated aluminium cover



Upstand

- Upstand height: 410 mm or more
- Lacquered interior and exterior (standard RAL colours)
- Colaminated sheet steel top for PVC waterproofing
- Galvanised sheet steel top for PVC waterproofing
- Bare insulation for PVC waterproofing



Other information

- 6 mm round bar or 16x16 mm 1200 joule square tube grid, galvanised or lacquered in standard RAL
- Anti-sawing burglar-resistant grid (16x16 mm + R10 tube assembly), galvanised or lacquered in standard RAL
- 16x16 mm security bars on opening system
- Ladder attachment bar, lacquered grey
- Support crosspiece, lacquered grey

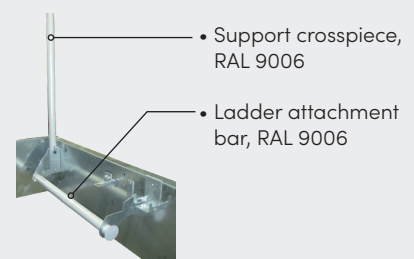


Control

- Limit switch

Capping upstand

See page 7 for details.



Dimensions

Roof opening dimensions A x B (cm)	Overall heel dimensions C x D (cm)	Height H* (cm)	Light surface (m ²)	E (cm)	Product weight (kg)
100 x 100	118 x 118	42	1.00	115	62

Contact us for other dimensions.
* For an upstand height of 360 mm

Filling performance

Other filling and filling options: see "Filling" data sheet.

Type of filling	Thermal transmittance factor Ug (W/ m ² .K)	LT D65 ⁽²⁾	SF or g ⁽²⁾	Reaction to fire	R _w (dB) ⁽³⁾	
	U _{hor} ⁽¹⁾					
PCA	Opal multi-wall PCA 16	1.9	45%	46%	B-s1-d0	R _w =21 dB
	Transparent PCA 16 with Lumira™ aerogel	1.5	67%	67%	B-s1-d0	R _w =21 dB
	Opal multi-wall PCA 20	1.6	54 %	47%	B-s2-d0	R _w =21 dB
	Transparent multi-wall PCA 32	1.3	33%	49%	B-s2-d0	ND
	Transparent PCA 32 with 50% Lumira™ aerogel	0.97	43%	45%	ND	ND
Cover	40 mm aluminium cover	0.85	0%	ND	ND	ND

⁽¹⁾As per §2.31 of the Th-Bat regulations.

⁽²⁾ Light transmittance LT D65 and total solar transmittance SF (TST or g) as per EN 410.

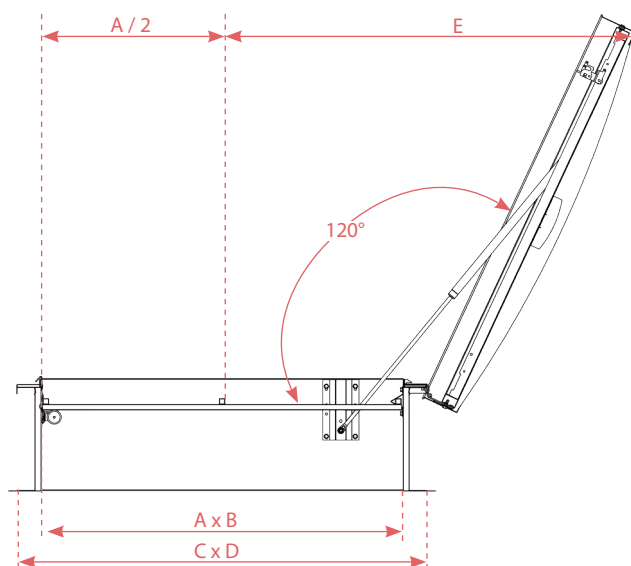
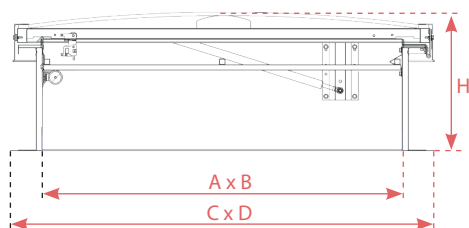
⁽³⁾ Filling insulated against airborne noise R_w, pink noise R_a (environment, airport and industrial activities) and road noise R_{Atr}, laboratory-measured according to NF EN ISO 140.

Control system

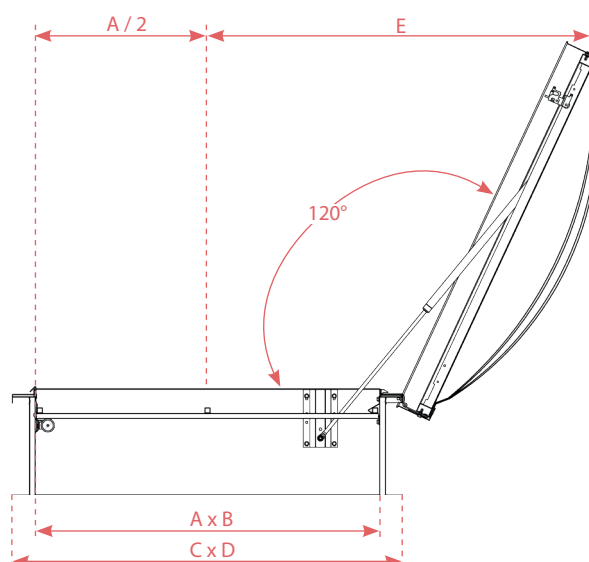
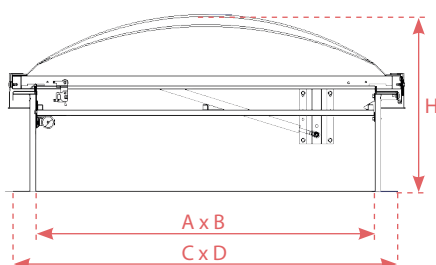
We supply versatile installation kits for controlling the **PYROTOP®** and the **PYROTOP® CAPPING UPSTAND**. These easy-to-use kits combine a core kit with a range of (mechanical, pneumatic or electrical) satellite kits. See the Installation Kits datasheet for a full list of our kits.

Technical diagrams

THERMIK' range PYROTOP PCA



THERMIK' range PYROTOP double dome



PERFORMANCE

Exhaust ventilator opening: type B (open + close)

Reliability: Re 300

Low ambient temperature: T(0°C)

Resistance to heat: B₃₀₀

Resistance to wind load: WL1500

Opening under load: SL250

Thermo-fuse set temperature: 93°C (eutectic fuse mounted in series)

COMPLIANCE & INSTALLATION

CE certified NSHEV compliant with **NF EN 12101-2 (product certification No. 0333 CPR 219053)**.

The product must be fastened and sealed in accordance with the requirements defined in the applicable DTU specifications (series 40 and 43).

Maximum insulation height: as per the DTUs, the sealing flashing must extend to a height of at least 150 mm.

The waterproofing complex (substrate, vapour barrier, insulation and two-layer sealant) must be no thicker than 190 mm for an interior upstand height of 360 mm, or 240 mm for an interior upstand height of 410 mm.

Maximum permissible slope: 20° or 46% (see installation instructions).

Only the security bar option provides guaranteed 1200 joule protection.

DoP available at www.skydome.eu

Also available in Storm grade WL 3000 for dimensions < 140 x 140 cm. Contact us for details.

Trade name

Trade name	Filling	Upstand insulation
PYROTOP	THERMIK' 16	16 mm PCA (Opal PCA)
	THERMIK' 16+	16 mm PCA with LUMIRA (Transparent PCA)
	THERMIK' 20	20 mm PCA (Opal PCA)
	THERMIK' 20+	20+ mm PCA with LUMIRA (Transparent PCA)
	THERMIK' 32	32 mm PCA (Transparent PCA)
	THERMIK' 32+	16 mm PCA + 16 mm PCA with LUMIRA (Transparent PCA)
	THERMIK' 40 OPAQUE	40 mm aluminium cover
		Upstand height: 360 mm Insulation: • on vertical part of upstand • on upstand lip

Air permeability and light surface

Roof opening dimensions A x B (cm)	Air flow (m³/h) - Class AP06 ⁽¹⁾		ELS ⁽²⁾ (m²)	
	Less than 4 Pa	Less than 50 Pa	Height 360 mm	Height 410 mm
100 x 100	0.14	0.94	0.36	0.35

⁽¹⁾ Air permeability tests carried out at the CSTC test centre as per NF EN 1873 protocols (with reference to the standards NF EN 12152 and NF EN 12153).

⁽²⁾ Effective light surface calculated with white lacquered upstand and PCA 16 filling.

Acoustic performance

	PCA 16	PCA 16+	PCA 20	PCA 32	PCA 32+	Opaque 40 mm aluminium cover
Acoustic attenuation $R_w (C; C_{tr})$	17 (-2;2)	19 (0;-1)	ND	20 (-2;-1)	21 (0;0)	23 (-1;-3)
Rain-generated sound intensity L_{ia} (dB)	77	74	ND	75	72	63

⁽¹⁾ Air permeability tests carried out at the CSTC test centre as per NF EN 1873 protocols (with reference to the standards NF EN 12152 and NF EN 12153).

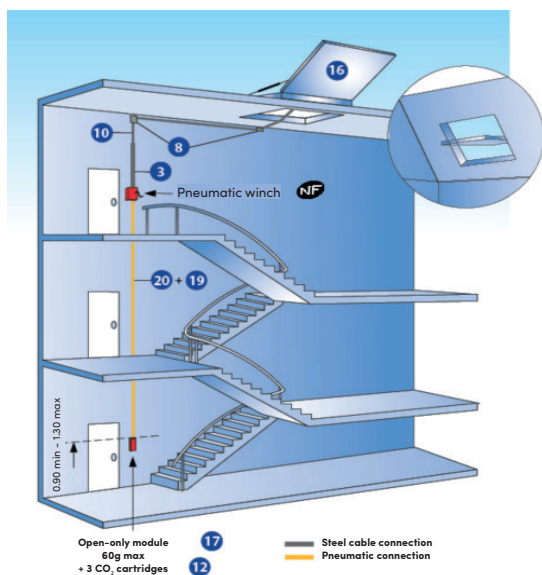
⁽²⁾ Effective light surface calculated with white lacquered upstand and PCA 16 filling.

Maximum permissible snow loads

Roof opening (cm)	Opening pressure	
	PCA16 / PCA16+	PCA32 / PCA32+ / 40mm cover
	SL (kg/m ²)	SL (kg/m ²)
100 x 100	25	25

*Skewed upstand along the length.

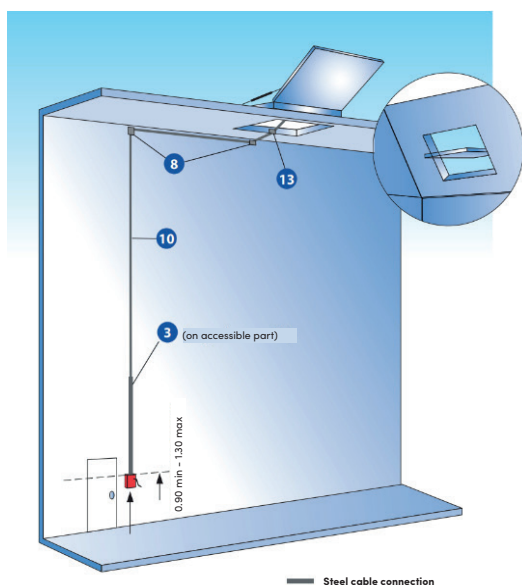
XKT 102D kit



Kit contents

- 1 pneumatically actuated winch (NF certified)
- 15 m cable
- 1 cable clamp
- 2 pulleys in protective casing
- 1 offset pulley
- 2.5 m cable protection sheath
- Bag of fasteners
- 1 open-only 30 gram CO₂ module
- 25 m copper piping
- 25 copper pipe clamps
- 3 x 27 g CO₂ cartridges

XKT 101D kit



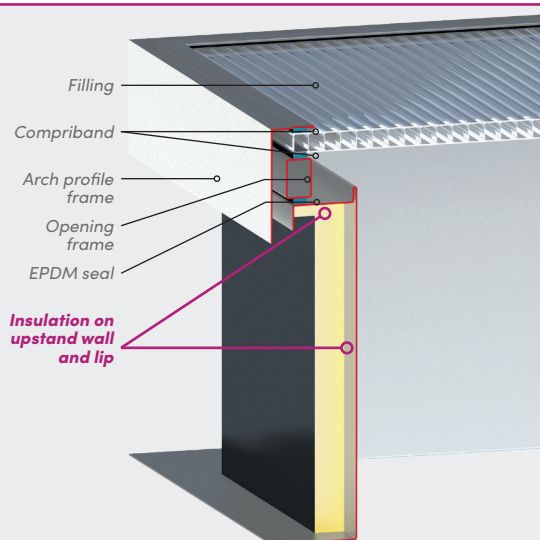
Kit contents

- 1 mechanical winch (NF certified)
- 15 m cable
- 1 cable clamp
- 2 pulleys in protective casing
- 1 offset pulley
- 2.5 m cable protection sheath
- Bag of fasteners

U_{rc}: 1.8 W/m².k*

ENHANCED THERMAL INSULATION:

- ✓ **Wide range of filling options** with different thermal insulation, light transmittance and solar factor performance
- ✓ **Compliant with applicable DTU specifications**
- ✓ **U_{rc} = 1.8 W/m².K***



Thermal performance: U_{RC} (W/m².K) and A_{RC} (m²)

PYROTOP®															
Dimensions (cm)	Upstand height: 360 mm							Upstand height: 410 mm							
	U _{RC}						A _{RC}	U _{RC}					A _{RC}		
	PCA 16	PCA 16+	PCA 20	PCA 32**	PCA 32+ **	Opaque 40 mm aluminium cover		PCA 16	PCA 16+	PCA 20	PCA 32**	PCA 32+ **		Opaque 40 mm aluminium cover	
100 x 100	2.1	2	1.9	1.8	1.7	1.5	3.1	2.1	1.9	1.9	1.8	1.6	1.5	3.3	

* For a 100 x 100 cm unit with a 360 mm high upstand and PCA 32+ filling
 ** Adding a dome has no effect on the unit's thermal conductivity U_{rc}.

FOR RENOVATION AND COMPLIANCE WORKS

The **PYROTOP® CAPPING UPSTAND** is designed to fit any type of upstand, whether for compliance reasons or to change the unit's purpose **while retaining the existing upstand**.


Types of filling
THERMIK' RANGE:

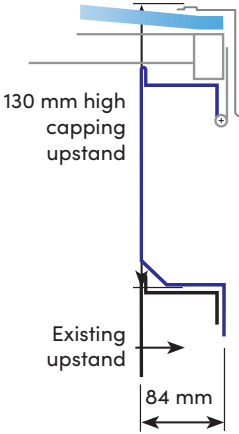
- PCA 16
- PCA 16+ Lumira*
- PCA 32
- PCA 32+ Lumira*


Upstand

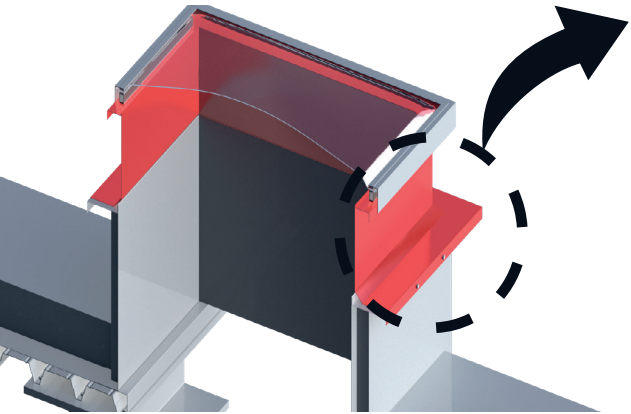
- Insulated upstand with galvanised steel protection plate, 84 mm heel and 40 mm overlap
- 1.2 mm galvanised steel
- Height 130 mm


Control

- Manual opening/closing
- Centrally located cable



Installation diagram



Options

Standard options list p.1

Upstand

- Heel width on request for fitting to existing substrate
- Upstand height on request

Dimensions

Roof opening dimensions A x B (cm)	Roof opening dimensions C x D (cm)	Height H* (cm)	Light surface (m ²)	E (cm)	Product weight (kg)
100 x 100	117 x 117	23	1.00	115	52

Contact us for other dimensions.
* For an upstand height of 170 mm

Thermal performance: U_{RC} (W/m².K) and A_{RC} (m²)

PYROTOP® capping upstand							
Dimensions (cm)	THERMIK'						
	U_{RC}						A_{RC}
	PCA 16	PCA 16+	PCA 20	PCA 32**	PCA 32+ **	Opaque 40 mm aluminium cover	
100 x 100	3	2.8	2.7	2.4	2.3	2.3	2.3

* For a 160 x 160 cm unit with a 360 mm high upstand and PCA 32+ filling
** Adding a dome has no effect on the unit's thermal conductivity U_{RC} .



SKYDÔME

Entre Deux Villes
02270 Sons-Et-Ronchères, France
Tel: +33 (0)3 23 21 79 90
Email: info@skydome.eu
www.skydome.eu

For the product range in other countries, please contact your local representative or visit www.skydome.eu

SKYDÔME reserves the right to modify product specifications without notice. The information and technical details contained in this documentation are provided in good faith and apply to the uses described. The recommendations for use must be checked to ensure they are appropriate and comply with the actual requirements, the specifications and all applicable legislation and regulations.

For other applications and conditions of use, please contact our technical team. Their advice must be sought concerning uses of our products that are not described specifically herein.

Click this link to check that you are seeing the most up-to-date and accurate information about our products:
https://www.skydome.eu/fr/produit/45_pyrotop.html

For **WATERPROOFED ROOFS OR EXISTING UPSTANDS**

PYROTOP®



NF 537
Actuated safety devices (DAS)
Control devices (DC)



EN 12101-2
EN 1873 + A1: 2016



Filling

- Opal multi-wall PCA 10,
Ug = 2.9 W/m².K



Upstand

- Straight upstand
- 1.2 mm galvanised steel
- Height 310 mm with a 15 mm bituminous insulating coating



Control

- Manual opening/closing
- Centrally located cable



VERSION

The PYROTOP® is an NSHEV intended primarily for smoke and heat exhaust as well as access from stairwells.



Also available:



OPTIONS



Types of filling

- Opal PCA 10 IR
- Grey PCA 10
- Transparent PCA 10
- PCA 10 + Lumira*
- Insulated aluminium cover
- PMMA double dome
- Solid PC double dome



Control

- Limit switch



Upstand

- Upstand height: 360 mm, 410 mm or more
- Lacquered interior
- Colaminated sheet steel top for PVC waterproofing
- Galvanised sheet steel top for PVC waterproofing
- Bare insulation for PVC waterproofing

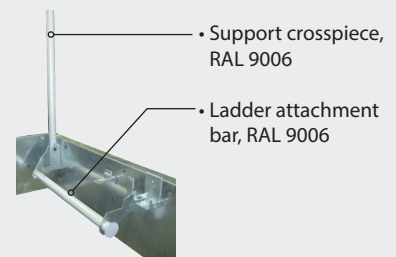


Other information

- 6 mm round bar or 16x16 mm 1200 joule square tube grid, galvanised or lacquered in standard RAL
- Anti-sawing burglar-resistant grid (16x16 mm + R10 tube assembly), galvanised or lacquered in standard RAL
- 16x16 mm security bars on opening system
- Ladder attachment bar, lacquered grey
- Support crosspiece, lacquered grey

Capping upstand

See page 5 for details.



Dimensions

Roof opening dimensions A x B (cm)	Roof opening dimensions C x D (cm)	Height H (cm)		Light surface (m ²)	E (cm)	Product weight (kg)	
		PCA	DD			PCA	DD
100 x 100	118 x 118	37	56	1.00	115	62	56

Contact us for other dimensions.
* For an upstand height of 310 mm.

Maximum permissible snow loads SL (Pa)

Roof opening (cm)	Opening pressure	
	PCA 10	Double dome / 40 mm cover
	SL (kg/m ²)	SL (kg/m ²)
100 x 100	25	25

Filling performance

Other filling and filling options: see "Filling" data sheet.

	Type of filling	Thermal transmittance factor Ug (W/ m ² .K)	LT D65 ⁽²⁾	SF or g ⁽²⁾	Reaction to fire	R _w (dB) ⁽³⁾
		U _{hor} ⁽¹⁾				
PCA	Opal 4-wall PCA 10	2.9	61%	61%	B-s1-d0	R _w =19 dB
Cover	40 mm aluminium cover	0.85	0%	ND	ND	ND
Dome	Opal PMMA double dome Opal upper dome + transparent lower dome	2.89	84%	ND	ND	ND

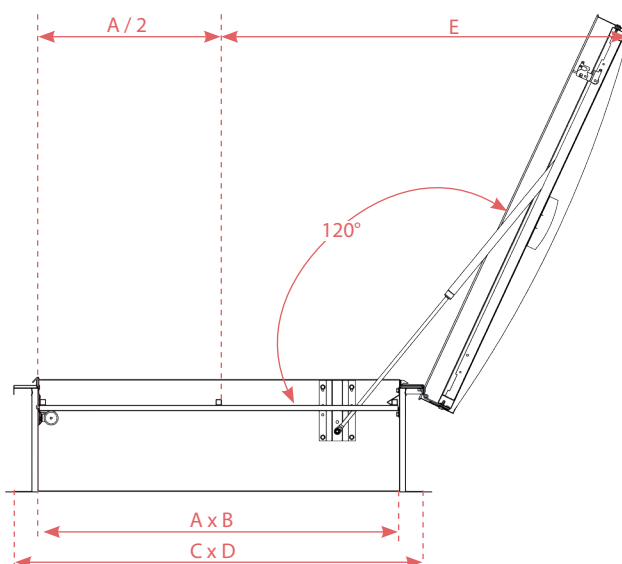
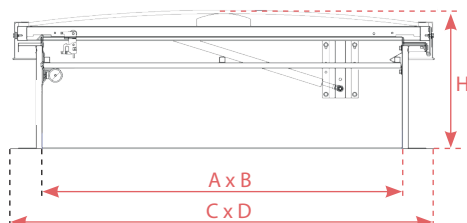
⁽¹⁾Relative to the horizontal, as per §2.31 of the Th-Bat regulations.

⁽²⁾ Light transmittance LT D65 and solar transmittance SF (TST or g) as per EN 410.

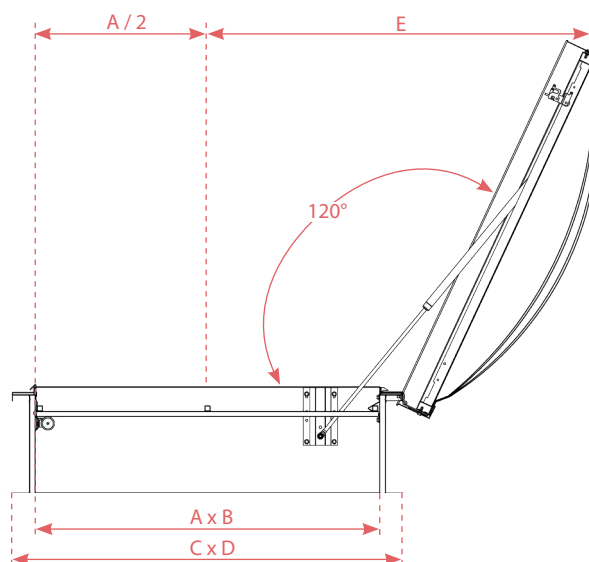
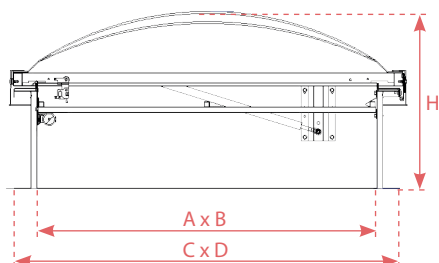
⁽³⁾ Filling insulated against airborne noise R_v, pink noise R_k (environment, airport and industrial activities) and road noise R_{A,1}, laboratory-measured according to NF EN ISO 140.

Technical diagrams

ORIGIN' range PYROTOP PCA



PYROTOP double dome



PERFORMANCE

Exhaust ventilator opening: type B (open + close)

Reliability: Re 300

Low ambient temperature: T(0°C)

Resistance to heat: B₃₀₀

Thermo-fuse set temperature: 93°C (eutectic fuse mounted in series)

Resistance to wind load: WL1500

Opening under load: SL 250 to SL 500 depending on filling

COMPLIANCE & INSTALLATION

CE certified NSHEV compliant with **NF EN 12101-2. (Product certification No. 0333 CPR 219053).**

The product must be fastened and sealed in accordance with the requirements defined in the applicable DTU specifications (series 40 and 43).

Maximum insulation height: as per the DTUs, the sealing flashing must extend to a height of at least 150 mm.

The waterproofing complex (substrate, vapour barrier, insulation and two-layer sealant) must be no thicker than 140 mm for an interior upstand height of 310 mm, or 240 mm for an interior upstand height of 410 mm.

Maximum permissible slope: 25° or 46% (see installation instructions).

Only the security bar option provides guaranteed 1200 joule protection.

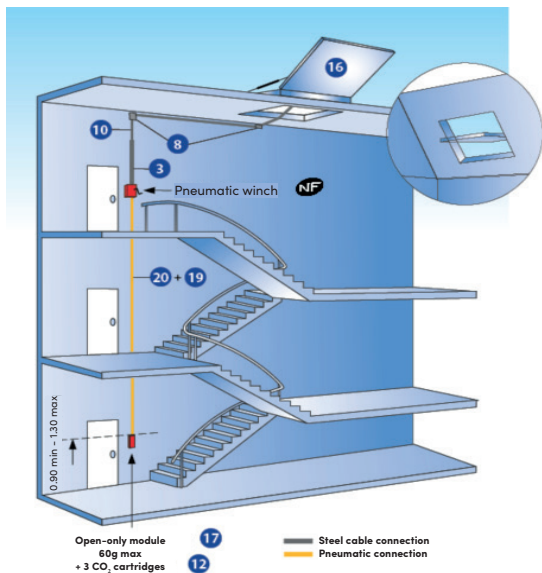
DoP available at www.skydome.eu

Control system

We supply versatile installation kits for controlling the **PYROTOP®** and the **PYROTOP® CAPPING UPSTAND**. These easy-to-use kits combine a core kit with a range of (mechanical, pneumatic or electrical) satellite kits.

See the *Installation Kits* datasheet for a full list of our kits.

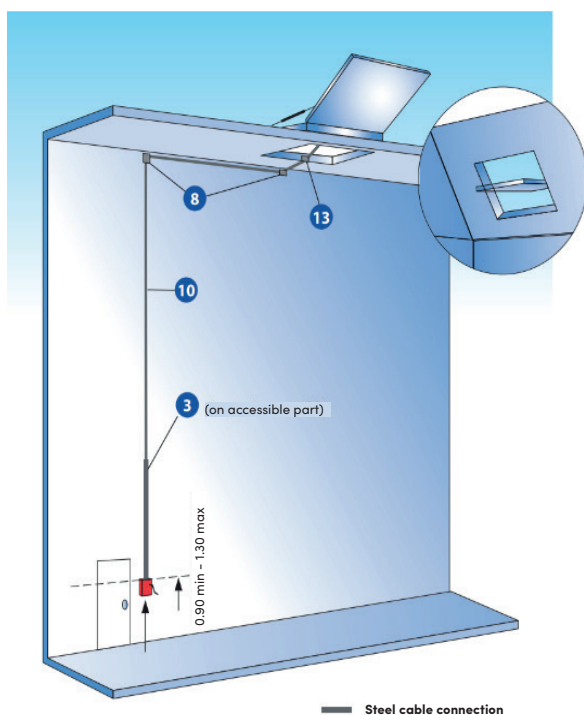
XKT 102D kit



Kit contents

- 1 pneumatically actuated winch (NF certified)
- 15 m cable
- 1 cable clamp
- 2 pulleys in protective casing
- 1 offset pulley
- 2.5 m cable protection sheath
- Bag of fasteners
- 1 open-only 30 gram CO2 module
- 25 m copper piping
- 25 copper pipe clamps
- 3 x 27 g CO2 cartridges

XKT 101D kit



Kit contents

- 1 mechanical winch (NF certified)
- 15 m cable
- 1 cable clamp
- 2 pulleys in protective casing
- 1 offset pulley
- 2.5 m cable protection sheath
- Bag of fasteners

FOR RENOVATION AND COMPLIANCE WORKS

The **PYROTOP® CAPPING UPSTAND** is designed to fit any type of upstand, whether for compliance reasons or to change the unit's purpose **while retaining the existing upstand**.



Filling

- Opal multi-wall PCA 10
Ug = 2.9 W/m².K



Upstand

- Bevelled adapter upstand with 84 mm heel and 40 mm overlap
- 1.2 mm galvanised steel
- Height 130 mm allowing rooftop installation via an existing opening



Control

- Manual opening/closing
- Centrally located cable

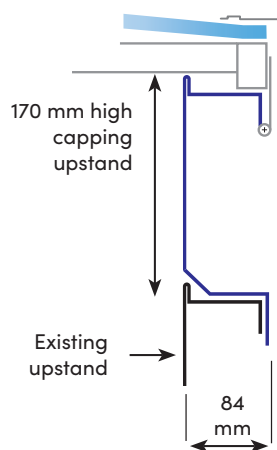
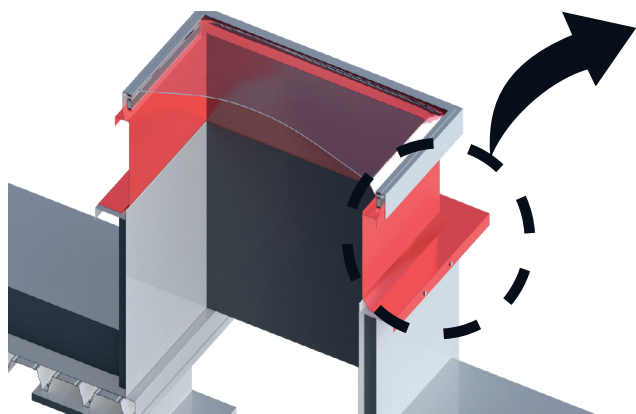


Dimensions & aeraulic performance

Roof opening dimensions A x B (cm)	Overall heel dimensions C x D (cm)	Height H* (cm)		Light surface (m ²)	E (cm)	Product weight (kg)	
		PCA	DD			PCA	DD
100 x 100	117 x 117	19	38	1.00	115	52	46

Contact us for other dimensions.
* For an upstand height of 170 mm

Installation diagram



Options

Standard options list p.1

Upstand

- Upstand insulation including a galvanised steel protection plate
- Heel width on request for fitting to existing substrate
- Upstand height on request



SKYDÔME

Entre Deux Villes
02270 Sons-Et-Ronchères, France
Tel: +33 (0)3 23 21 79 90
Email: info@skydome.eu
www.skydome.eu

For the product range in other countries, please contact your local representative or visit www.skydome.eu

SKYDÔME reserves the right to modify product specifications without notice. The information and technical details contained in this documentation are provided in good faith and apply to the uses described. The recommendations for use must be checked to ensure they are appropriate and comply with the actual requirements, the specifications and all applicable legislation and regulations.

For other applications and conditions of use, please contact our technical team. Their advice must be sought concerning uses of our products that are not described specifically herein.

Click this link to check that you are seeing the most up-to-date and accurate information about our products:
https://www.skydome.eu/fr/produit/45_pyrotop.html