

For **DRY ROOFS OR SANDWICH PANEL ROOFS**

# ROOFDÔME®

CE  
EN 1873 + A1: 2016



## Filling

### THERMIK' RANGE:

- PCA 16
- PCA 16 + Lumira
- PCA 32
- PCA 32 + Lumira
- PMMA triple dome
- Acoustik'Light



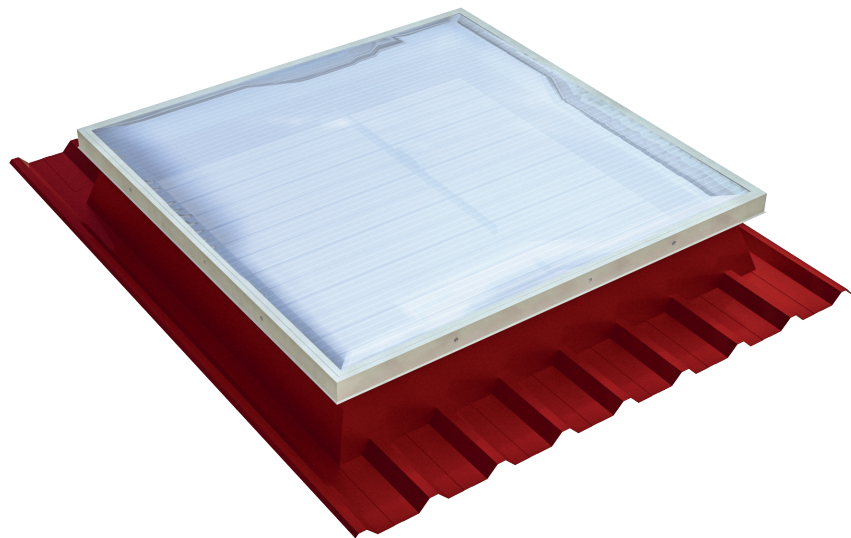
## Upstand

- 310 mm high GRP base with a skewed insulated opening



## VERSION

The ROOFDÔME® is a skylight intended for toplighting. It is suitable for use on dry roofs and steel deck roofs on all types of buildings (including public facilities, work premises and industrial buildings).



Also available:



## OPTIONS



### Types of filling

- Opal PCA 16 IR
- Grey PCA 16
- Transparent PCA 16
- Insulated aluminium cover
- Solid PC triple dome



### Upstand

- Lacquered interior and exterior (standard RAL colours)



### Other information

- 6 mm round bar or 16x16 mm 1200 joule square tube grid, galvanised or lacquered in standard RAL
- Anti-sawing burglar-resistant grid (16x16 mm + R10 tube assembly), galvanised or lacquered in standard RAL
- Pleated blind for horizontal installation in the product, for 100 x 100 cm and 120 x 120 cm dimensions (contact us for other dimensions). Either fastened directly into the joist or mounted on a base + upstand
- Variable thickness of insulation on underside



### RAL colours on exterior surfaces

- Standard colour
- RAL colours at no extra cost\*\*

RAL 9010\*

RAL 5008

RAL 7015

RAL 7022

RAL 8012

\* Interior colour: RAL 9010 only

\*\* Contact us if you require a different colour

[www.skydome.eu](http://www.skydome.eu)

## Dimensions

Roof opening dimensions A x B (cm)	Roof joist dimensions* (cm)	Height H** (cm)		Light surface (m <sup>2</sup> )	Product weight*** (kg)	
		PCA	DD		PCA	DD
<b>100 x 100</b>	Use the base search engine on the website <a href="http://www.skydome.eu">www.skydome.eu</a>	37	56	1.00	64	66
<b>120 x 120</b>		37	59	1.44	73	77
<b>140 x 140</b>		37	62	1.96	81	89
<b>150 x 150</b>		37	64	2.25	84	94
<b>160 x 160</b>		37	65	2.56	88	101
<b>70 x 100</b>		36	51	0.70	55	56
<b>100 x 150</b>		37	56	1.50	71	76
<b>100 x 200</b>		39	59	2.00	92	100
<b>120 x 200</b>		39	59	2.40	97	108
<b>140 x 200</b>		39	62	2.80	104	118
<b>120 x 250</b>		39	59	3.00	104	-

Contact us for other dimensions.

\* Stated base dimensions have a tolerance of +/- 5 mm.

\*\* For a base height of 310 mm.

\*\*\* Stated weight is for the product on a dry roof.

## Filling performance

Other filling and filling options: see "Filling" data sheet.

Type of filling	Thermal transmittance factor Ug (W/ m <sup>2</sup> .K)	LT D65 <sup>(2)</sup>	SF or g <sup>(2)</sup>	Reaction to fire	R <sub>w</sub> (dB) <sup>(3)</sup>	
	U <sub>hor</sub> <sup>(1)</sup>					
PCA	Opal multi-wall PCA 16	1.9	45%	46%	B-s1-d0	R <sub>w</sub> =21 dB
	Transparent PCA 16 with Lumira™ aerogel	1.5	67%	67%	B-s1-d0	R <sub>w</sub> =21 dB
	Opal multi-wall PCA 20	1.6	54 %	47%	B-s2-d0	R <sub>w</sub> =21 dB
	Transparent multi-wall PCA 32	1.3	33%	49%	B-s2-d0	ND
	Transparent PCA 32 with 50% Lumira™ aerogel	0.97	43%	45%	ND	ND
Cover	40 mm aluminium cover	0.85	0%	ND	ND	ND
Domes	Opal PMMA triple dome Opal PMMA upper dome + transparent PMMA interior dome + transparent PMMA lower dome	2.76	ND	ND	ND	ND
	Opal solid PC triple dome Opal solid PC upper dome + transparent solid PC interior dome + transparent solid PC lower dome	2.76	ND	ND	ND	ND
Acoustik' Light	<b>Acoustik' Light</b> Transparent PCA 10 & transparent PCA 6	<b>2.1</b>	<b>ND</b>	<b>ND</b>	<b>ND</b>	<b>ND</b>

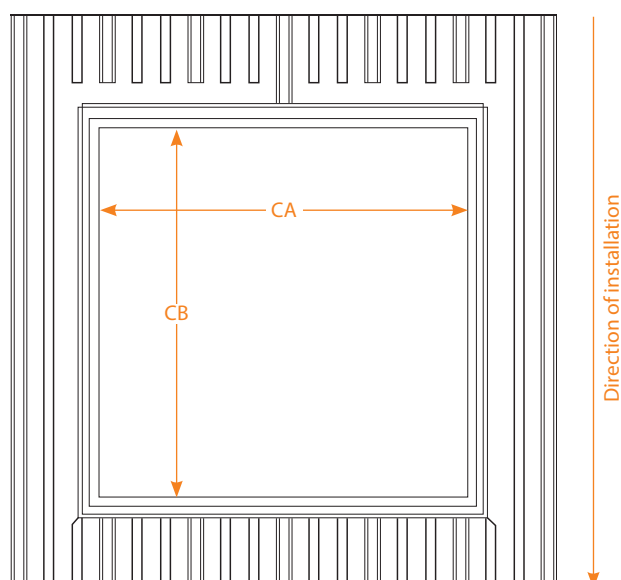
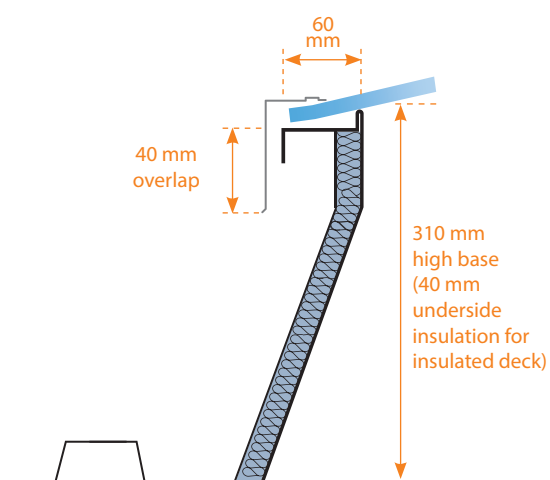
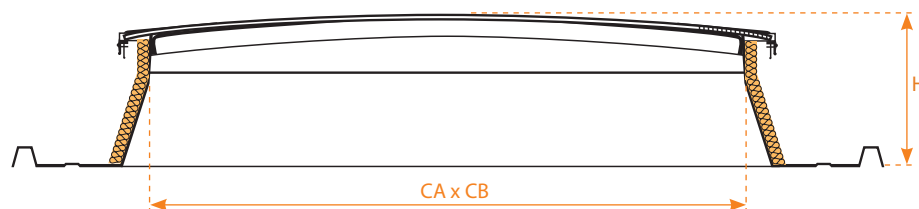
<sup>(1)</sup>As per §2.31 of the Th-Baf regulations.

<sup>(2)</sup> Light transmittance LT D65 and total solar transmittance SF (TST or g) as per EN 410.

<sup>(3)</sup> Filling insulated against airborne noise R<sub>w</sub>, pink noise R<sub>p</sub> (environment, airport and industrial activities) and road noise R<sub>A,Tp</sub> laboratory-measured according to NF EN ISO 140.

## Technical diagrams

### THERMIK' range ROOFDÔME PCA



## COMPLIANCE & INSTALLATION

Compliant with EU standard NF EN 1873.

- The product must be fastened and sealed in accordance with the requirements defined in the applicable DTUs in series 40.35 (NF P 34-205-1).

DoP available at [www.skydome.eu](http://www.skydome.eu)

Also available in Storm grade WL 3000 for dimensions < 140 x 140 cm. Contact us for details.

Maximum permitted inclination with the hinge parallel to the roof slope:

- If geometric area ( $A_v$ ) < 2m<sup>2</sup>: 25° or 46.65%
- If geometric area ( $A_v$ ) > 2m<sup>2</sup>: 20° or 36.45%

Only the security bar option provides guaranteed 1200 joule protection.

## Trade name

Trade name	Filling	Upstand insulation
ROOFDÔME	THERMIK' 16	16 mm PCA (Opal PCA)
	THERMIK' 16+	16 mm PCA with LUMIRA (Transparent PCA)
	THERMIK' 20	20 mm PCA (Opal PCA)
	THERMIK' 20+	20+ mm PCA with LUMIRA (Transparent PCA)
	THERMIK' 32	32 mm PCA (Transparent PCA)
	THERMIK' 32+	16 mm PCA + 16 mm PCA with LUMIRA (Transparent PCA)
	THERMIK' 3xD	<b>Triple dome</b> Opal upper dome + transparent interior dome + transparent lower dome
	THERMIK' 40 OPAQUE	40 mm aluminium cover
	THERMIK' ACOUSTIK' LIGHT	10 mm PCA + 6 mm solid PC
		Upstand height: 360 mm Insulation: • on vertical part of upstand

## Air permeability and light surface

Roof opening dimensions A x B (cm)	Air flow (m <sup>3</sup> /h) - Class AP06 <sup>(1)</sup>		ELS <sup>(2)</sup> (m <sup>2</sup> )
	Less than 4 Pa	Less than 50 Pa	310 mm upstand
100 x 100	0.36	4.92	0.38
120 x 120	0.43	5.90	0.56
140 x 140	0.50	6.89	0.78
150 x 150	0.54	7.38	0.91
160 x 160	0.58	7.87	1.04
70 x 100	0.31	4.18	0.26
100 x 150	0.45	6.15	0.59
100 x 200	0.54	7.38	0.79
120 x 200	0.58	7.87	0.97
140 x 200	0.61	8.36	1.14
120 x 250	0.67	9.10	1.22

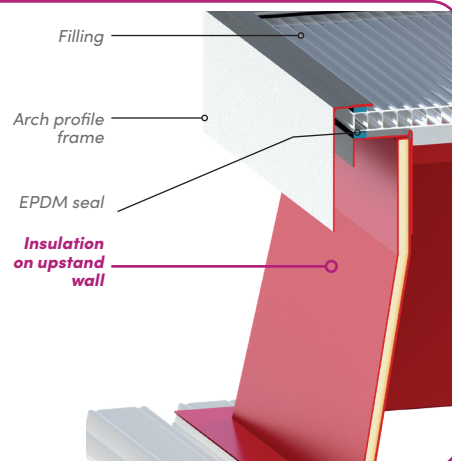
<sup>(1)</sup> Air permeability tests carried out at the CSTC test centre as per NF EN 1873 protocols (with reference to the standards NF EN 12152 and NF EN 12153).

<sup>(2)</sup> Effective light surface calculated with white lacquered upstand and PCA 16 filling.

**Product  $U_{RC}$ : 1.5 W/m<sup>2</sup>.K\***

**ENHANCED THERMAL INSULATION**

- ✓ **Wide range of filling options** with different thermal insulation, light transmittance and solar factor performance
- ✓  **$U_{RC} = 1.5$  W/m<sup>2</sup>.K\***
- ✓ **Compliant with applicable DTU specifications**
- ✓ **Superior watertightness**



**Thermal performance:  $U_{RC}$  (W/m<sup>2</sup>.K) and  $A_{RC}$  (m<sup>2</sup>)**

ROOFDÔME®									
Upstand height: 360 mm									
Dimensions (cm)	$U_{RC}$							Opaque 40 mm aluminium cover	$A_{RC}$
	Acoustik' Light	PCA 16	PCA 16+	PCA 20	PCA 32**	PCA 32+	Triple dome		
100 x 100	2.1	2	1.9	1.9	1.8	1.6	2.7	1.6	2.5
120 x 120	2.1	2	1.9	1.9	1.7	1.6	2.8	1.5	3.2
140 x 140	2.1	2	1.8	1.9	1.7	1.6	2.8	1.5	4.0
150 x 150	2.1	2	1.8	1.9	1.7	1.6	2.8	1.4	4.4
160 x 160	2.1	2	1.8	1.8	1.7	1.5	2.8	1.4	4.9
70 x 100	2.1	2.1	1.9	1.9	1.8	1.7	2.7	1.6	2.0
100 x 150	2.1	2	1.9	1.9	1.7	1.6	2.8	1.5	3.3
100 x 200	2.1	2	1.8	1.9	1.7	1.6	2.8	1.5	4.2
120 x 200	2.1	2	1.8	1.9	1.7	1.5	2.8	1.4	4.7
120 x 250	2.1	2	1.8	1.8	1.7	1.5	2.8	1.4	5.2
140 x 200	2.1	2	1.8	1.8	1.7	1.5	2.8	1.4	5.6

\* For a 160 x 160 cm unit with a 3 mm high upstand and PCA 32+ filling.  
 \*\* Adding a dome has no effect on the unit's thermal conductivity  $U_{RC}$ .

---

**SKYDÔME**

Entre Deux Villes  
02270 Sons-Et-Ronchères, France  
Tel: +33 (0)3 23 21 79 90  
Email: [info@skydome.eu](mailto:info@skydome.eu)  
[www.skydome.eu](http://www.skydome.eu)

For the product range in other countries, please contact your local representative or visit [www.skydome.eu](http://www.skydome.eu).

SKYDÔME reserves the right to modify product specifications without notice. The information and technical details contained in this documentation are provided in good faith and apply to the uses described. The recommendations for use must be checked to ensure they are appropriate and comply with the actual requirements, the specifications and all applicable legislation and regulations.

For other applications and conditions of use, please contact our technical team. Their advice must be sought concerning uses of our products that are not described specifically herein.

Click this link to check that you are seeing the most up-to-date and accurate information about our products:  
[https://www.skydome.eu/fr/produit/27\\_roofdome.html](https://www.skydome.eu/fr/produit/27_roofdome.html)

For DRY ROOFS OR SANDWICH PANEL ROOFS

# ROOFDÔME®

CE  
EN 1873 + A1: 2016

ORIGIN' VERSION



## Filling

### ORIGIN' RANGE:

- Opal multi-wall PCA 10
- PMMA double dome

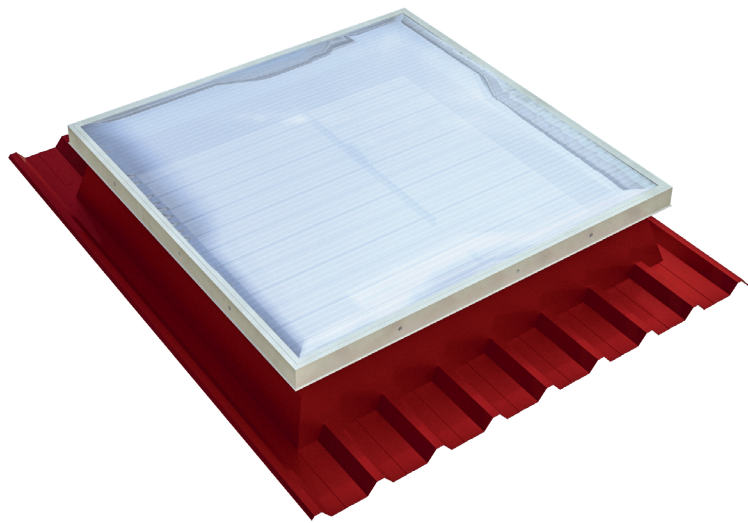


## Upstand

### ORIGIN' RANGE:

- 310 mm high GRP base with a skewed insulated opening

The ROOFDÔME® is a skylight intended for toplighting. It is suitable for use on dry roofs and sandwich board roofs on all types of buildings (including public facilities, work premises and industrial buildings).



Also available:



## OPTIONS



### Types of filling

- Opal PCA 10 IR
- Grey PCA 10
- Transparent PCA 10
- Insulated aluminium cover
- Solid PC double dome



### Upstand

- Lacquered interior and exterior (standard RAL colours)



### Other information

- 6 mm round bar or 16x16 mm 1200 joule square tube grid, galvanised or lacquered in standard RAL
- Anti-sawing burglar-resistant grid (16x16 mm + R10 tube assembly), galvanised or lacquered in standard RAL
- Pleated blind for horizontal installation in the product, either by fastening it directly to the joist or else using a base + upstand
- Variable thickness of insulation on underside



### RAL colours on exterior surfaces

- Standard colour
- RAL colours at no extra cost\*\*

RAL 9010\*

RAL 5008

RAL 7015

RAL 7022

RAL 8012

\* Interior colour: RAL 9010 only

\*\* Contact us if you require a different colour

## Dimensions

Roof opening dimensions* CA x CB (cm)	Joist dimensions* (cm)	Height H** (cm)		Light surface (m <sup>2</sup> )	Product weight*** (kg)	
		PCA	DD		PCA	DD
100 x 100	Use the base search engine on the website <a href="http://www.skydome.eu">www.skydome.eu</a>	37	56	1.00	64	66
120 x 120		37	59	1.44	73	77
140 x 140		37	62	1.96	81	89
150 x 150		37	64	2.25	84	94
160 x 160		37	65	2.56	88	101
70 x 100		36	51	0.70	55	56
100 x 150		37	56	1.50	71	76
100 x 200		39	59	2.00	92	100
120 x 200		39	59	2.40	97	108
140 x 200		39	62	2.80	104	118
120 x 250		39	59	3.00	104	-

Contact us for other dimensions.

\* Stated base dimensions have a tolerance of +/- 5 mm.

\*\* For a base height of 310 mm.

\*\*\* Stated weight is for the product on a dry roof

## Filling performance

Other filling and filling options: see "Filling" data sheet.

Type of filling	Thermal transmittance factor Ug (W/ m <sup>2</sup> .K)	LT D65 <sup>(2)</sup>	SF or g <sup>(2)</sup>	Reaction to fire	R <sub>w</sub> (dB) <sup>(3)</sup>	
	U <sub>hor</sub> <sup>(1)</sup>					
PCA	Opal 4-wall PCA 10	2.9	61%	61%	B-s1-d0	R <sub>w</sub> =19 dB
	Transparent PCA 10 with Lumira™ aerogel	ND	ND	ND	ND	ND
Cover	40 mm aluminium cover	0.85	0%	ND	ND	ND
Domes	Opal PMMA double dome Opal upper dome + transparent lower dome	2.89	84%	ND	ND	ND

<sup>(1)</sup> Relative to the horizontal, as per §2.31 of the Th-Bat regulations.

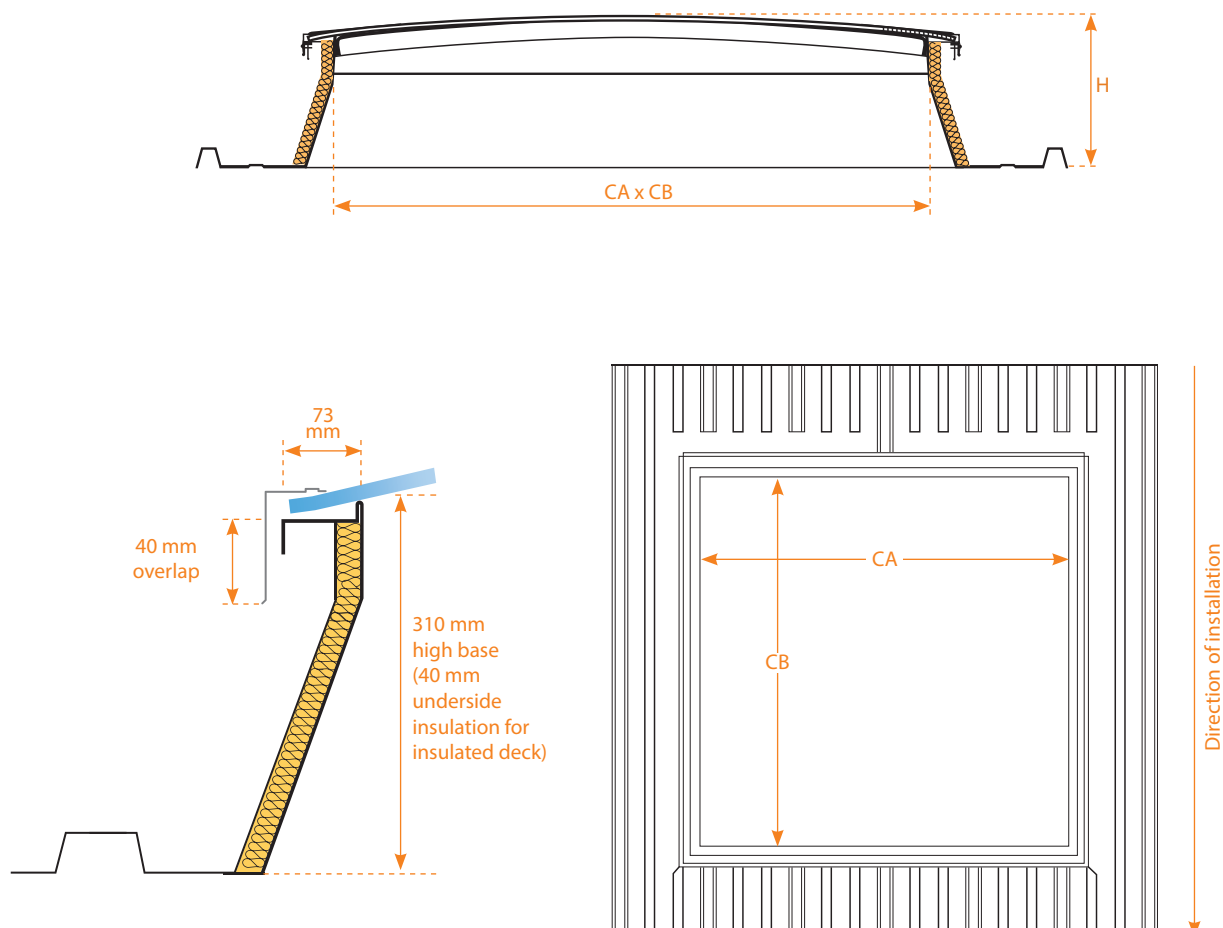
<sup>(2)</sup> Light transmittance LT D65 and solar transmittance SF (TST or g) as per EN 410.

<sup>(3)</sup> Filling insulated against airborne noise R<sub>w</sub>, pink noise R<sub>p</sub> (environment, airport and industrial activities) and road noise R<sub>rw</sub>, laboratory-measured according to NF EN ISO 140.



## Technical diagrams

### ORIGIN' range ROOFDÔME PCA



## COMPLIANCE AND INSTALLATION

Compliant with EU standard NF EN 1873.

- The product must be fastened and sealed in accordance with the requirements defined in the applicable DTUs in series 40.35 (NF P 34-205-1).

DoP available at [www.skydome.eu](http://www.skydome.eu)

Also available in Storm grade WL 3000 for dimensions < 140 x 140 cm. Contact us for details.

Maximum permitted inclination with the hinge parallel to the roof slope:

- If geometric area ( $A_v$ ) <  $2\text{m}^2$ : 25° or 46.65%
- If geometric area ( $A_v$ ) >  $2\text{m}^2$ : 20° or 36.45%

Only the security bar option provides guaranteed 1200 joule protection.

---

**SKYDÔME**

Entre Deux Villes  
02270 Sons-Et-Ronchères, France  
Tel: +33 (0)3 23 21 79 90  
Email: [info@skydome.eu](mailto:info@skydome.eu)  
[www.skydome.eu](http://www.skydome.eu)

For the product range in other countries, please contact your local representative or visit [www.skydome.eu](http://www.skydome.eu).

SKYDÔME reserves the right to modify product specifications without notice. The information and technical details contained in this documentation are provided in good faith and apply to the uses described. The recommendations for use must be checked to ensure they are appropriate and comply with the actual requirements, the specifications and all applicable legislation and regulations.

For other applications and conditions of use, please contact our technical team. Their advice must be sought concerning uses of our products that are not described specifically herein.

Click this link to check that you are seeing the most up-to-date and accurate information about our products:  
[https://www.skydome.eu/fr/produit/27\\_roofdome.html](https://www.skydome.eu/fr/produit/27_roofdome.html)